

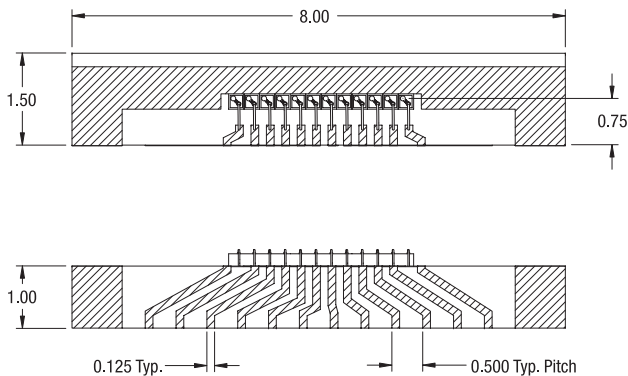
FCI-GaAs-XXM

High Speed GaAs Arrays

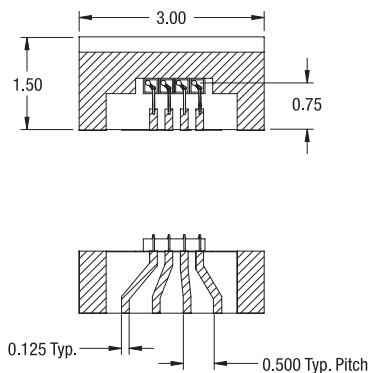
The FCI-GaAs-XXM is a 4 or 12 element GaAs PIN photodetector array designed for high speed fiber receiver and monitoring applications. The 70µm diameter elements are capable of 2.5Gbps data rates. AR coated and sensitive to telecommunication wavelengths, this array is a perfect receiver for SM or MM fiber ribbon with a 250µm pitch. The FCI-GaAs-XXM comes standard on a wraparound ceramic submount. Board level contacts have a 0.5mm pitch.

If you need a custom array or require special testing for your OSI Optoelectronics part, please contact our Applications department.

FCI-GaAs-12M

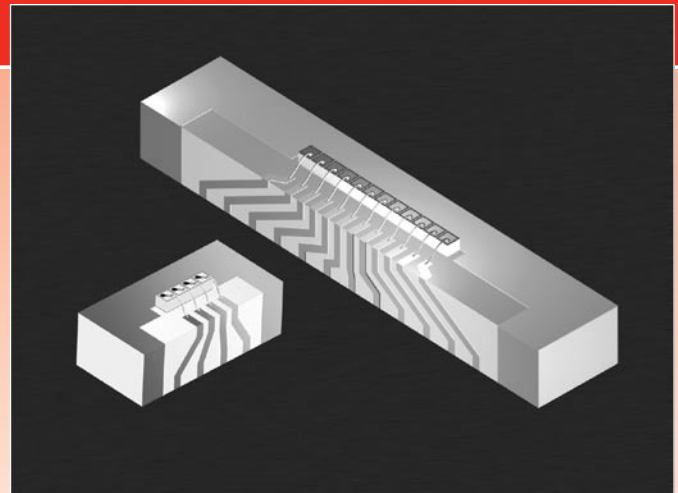


FCI-GaAs-4M



Notes:

- All units in millimeters.
- All devices are mounted with low out gassing conductive epoxy with tolerance of $\pm 25\mu\text{m}$.



APPLICATIONS

- Fiber Optic Receiver
- DWDM Monitor
- SM or MM Fiber Ribbon
- Parallel Interconnects

FEATURES

- High Speed
- High Responsivity
- AR Coated Elements
- Wraparound Ceramic Submount
- Spectral Range 650nm to 860nm

Electro-Optical Characteristics

$T_A = 23^\circ\text{C}$, $V_R = 5\text{V}$

PARAMETERS	FCI-GaAs-4M	FCI-GaAs-12M
Active Area Diameter	70µm, Pitch:250µm	
Responsivity	Typ. 0.63A/W @850nm	
Capacitance	Typ. 0.65pF	
Dark Current	Typ. 0.03nA	
Max. Reverse Voltage	20V	
Max. Forward Current	5mA	
Bandwidth	Typ. 2.0GHz @ 850nm	
Breakdown Voltage	Typ. 50V	
Storage Temperature Range	From -40 to 85°C	
Operating Temperature Range	From 0 to 70°C	