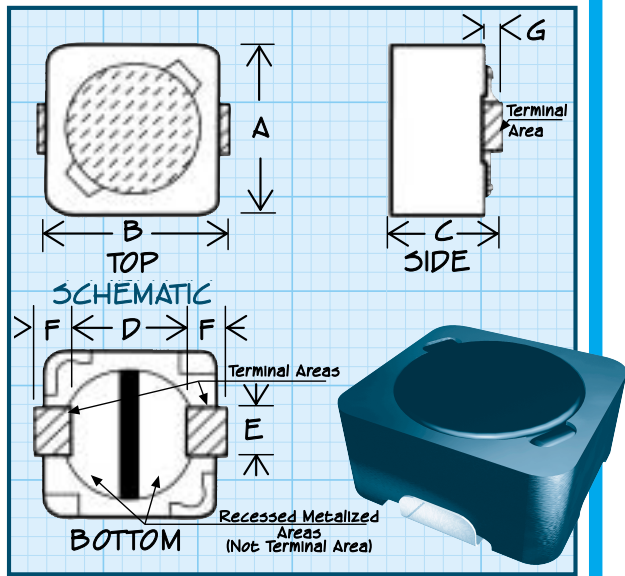


Shielded Surface Mount Inductors



Physical Parameters

	Inches	Millimeters
A	0.244 ± 0.012	6.2 ± 0.3
B	0.260 ± .012	6.6 ± 0.3
C	0.118 max.	3.0 max.
D	0.181 Ref. only	4.60 Ref. only
E	0.059 ± 0.007	1.5 ± 0.2
F	0.050 ± 0.007	1.27 ± 0.2
G	0.015 Ref. only	0.38 Ref. only

Mechanical Configuration Units designed for surface mounting; ferrite core and ferrite sleeve

Terminals are Solderable More than 95% new solder coverage when subjected to soldering temperature

Operating temperature range -55°C to +125°C

Application Frequency Range
Values 1.2µH to 12µH to 1.0 MHz Min.
Values above 12µH to 300 KHz Min.

Current Rating at 25°C Ambient The maximum DC current that will cause a 40°C maximum temperature rise and where the inductance will not decrease by more than 10% from its zero DC value

Packaging Tape & reel (16mm):
13" reel, 1500 pieces max.; 7" reel not available

DASH NUMBER*	INDUCTANCE (µH) ± 20%	TEST FREQUENCY (KHz)	DC RESISTANCE MAXIMUM (Ohms)	CURRENT RATING MAXIMUM (Amps)
SERIES SPD62				
-122M	1.2	100	0.08	3.50
-242M	2.4	100	0.10	2.80
-352M	3.5	100	0.12	2.50
-472M	4.7	100	0.15	2.00
-682M	6.8	100	0.17	1.80
-103M	10	100	0.18	1.40
-123M	12	100	0.20	1.30
-153M	15	1.0	0.30	1.20
-183M	18	1.0	0.35	1.10
-223M	22	1.0	0.40	1.00
-273M	27	1.0	0.45	0.94
-333M	33	1.0	0.50	0.82
-393M	39	1.0	0.70	0.78
-473M	47	1.0	0.75	0.70
-563M	56	1.0	0.85	0.68
-683M	68	1.0	1.20	0.56
-823M	82	1.0	1.45	0.50
-104M	100	1.0	1.60	0.41
-124M	120	1.0	1.70	0.39
-154M	150	1.0	1.80	0.37
-184M	180	1.0	2.10	0.35
-224M	220	1.0	2.20	0.32
-274M	270	1.0	3.00	0.29
-334M	330	1.0	3.30	0.22

*Complete part # must include series # PLUS the dash #

For further surface finish information, refer to TECHNICAL section of this catalog.

POWER INDUCTORS

Downloaded from Elcodis.com electronic components distributor