

1. PART NO. EXPRESSION :

S T F 1 0 0 6 1 2 1 Y Z F
 (a) (b) (c) (d)(e)(f)

(a) Series code

(b) Dimension code

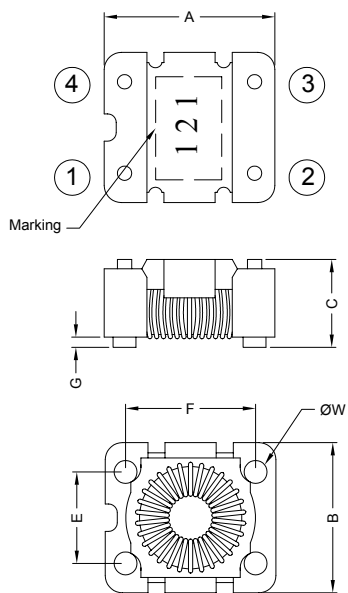
(c) Inductance code : 121 = 120uH

(d) Tolerance code : Y = ±40%

(e) X, Y, Z : Standard part

(f) F : Lead Free

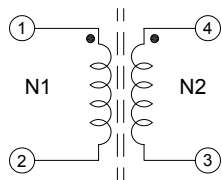
2. CONFIGURATION & DIMENSIONS :



Unit:m/m

A	B	C	E	F	G	ØW
10.00±0.3	8.70±0.3	6.50 Max.	6.22±0.3	7.62±0.3	0.30 Min.	1.20±0.1

3. SCHEMATIC :



"●": Polarity



RoHS Compliant

NOTE : Specifications subject to change without notice. Please check our website for latest information.

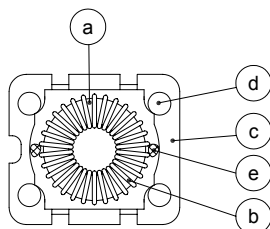
09.05.2008



SUPERWORLD ELECTRONICS (S) PTE LTD

PG. 1

4. MATERIALS :



- (a) Core : Ferrite Core
- (b) Wire : Enamelled Copper Wire
- (c) Base : Phenolic
- (d) Terminal : Tinned Copper Wire
- (e) Adhesive : Epoxy
- (f) Ink : Bon Margue

5. GENERAL SPECIFICATION :

- a) Temp. rise : 45°C Max. at rated current
- b) Storage temp. : -40°C to +125°C
- c) Operating temp. : -40°C to +80°C
- d) Resistance to solder heat : 260°C. 10secs

6. ELECTRICAL CHARACTERISTICS :

Part No.	Inductance L1 , L2 (μH)	DC Resistance N1 , N2 (Ω)	Rated Current (A)	Impedance (Ω)	Frequency Range (MHz)
STF1006121YZF	120±40%	0.025 Max.	1.40	200 Min.	10 ~ 200
STF1006251YZF	250±40%	0.030 Max.	1.25	400 Min.	5 ~ 100
STF1006501YZF	500±40%	0.060 Max.	0.90	800 Min.	2 ~ 50
STF1006102YZF	1000±40%	0.180 Max.	0.50	1400 Min.	1 ~ 40
STF1006202YZF	2000±40%	0.250 Max.	0.45	2000 Min.	0.5 ~ 15
STF1006302YZF	3000±40%	0.300 Max.	0.40	3000 Min.	0.5 ~ 10
STF1006402YZF	4000±40%	0.580 Max.	0.30	4000 Min.	0.5 ~ 5
* STF1006502YZF	5000±40%	0.630 Max.	0.25	5000 Min.	0.5 ~ 3

* Hi-Pot Test (N1-N2) : 500VAC 60Hz 3mA 5S (50KHz/1V)



RoHS Compliant

NOTE : Specifications subject to change without notice. Please check our website for latest information.

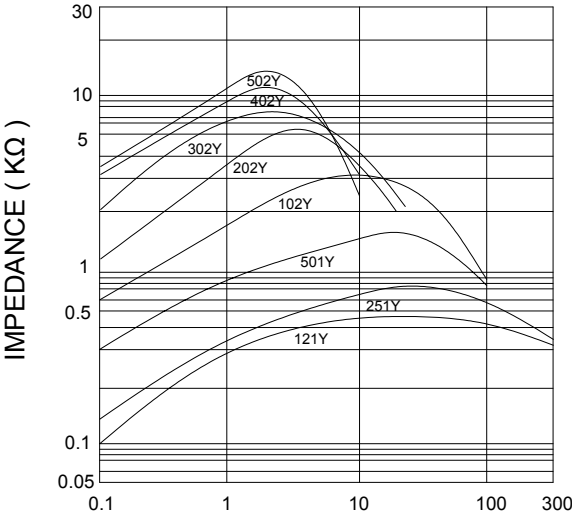
09.05.2008



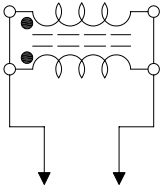
SUPERWORLD ELECTRONICS (S) PTE LTD

PG. 2

7. IMPEDANCE VS. FREQUENCY :



Measuring Circuit :



RF Impedance Analyzer

NOTE : Specifications subject to change without notice. Please check our website for latest information.



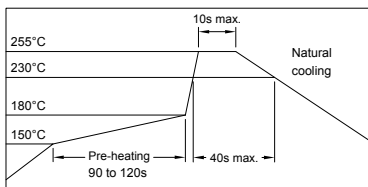
09.05.2008

Downloaded from Elcodis.com electronic components distributor

COMMON MODE CHOKE

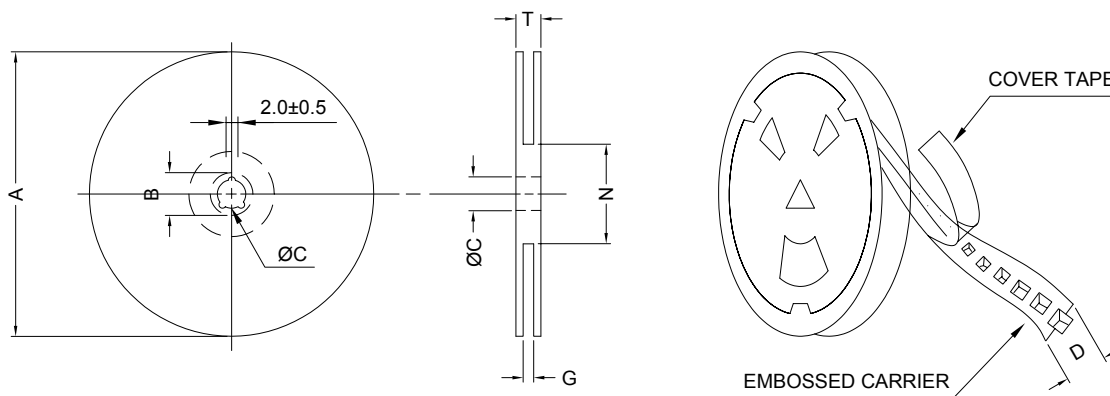
STF1006 SERIES

RECOMMENDED SOLDERING CONDITIONS REFLOW SOLDERINGS

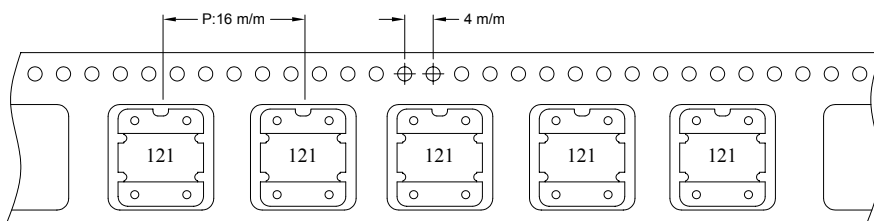


8. PACKAGING INFORMATION :

(1) CONFIGURATION



* CARRIER TAPE WIDTH : D



(2) DIMENSIONS

Unit:m/m

STYLE	A	B	C	D	G	N	T
13-24	330	21±0.8	13	24	18 ⁺⁰	50 ⁻⁰	22.4

(3) Q'TY & G.W. PER PACKAGE

SERIES	INNER : REEL			OUTER : CARTON		
	Q'TY (PCS)	G.W. (gw)	STYLE	Q'TY (PCS)	G.W. (Kg)	SIZE (cm)
STF1006	600	510	13-24	2400	5.6	37 x 36 x 10.4



RoHS Compliant

NOTE : Specifications subject to change without notice. Please check our website for latest information.

09.05.2008

 **SUPERWORLD ELECTRONICS (S) PTE LTD**

PG. 4

COMMON MODE CHOKE

STF1006 SERIES

9. RELIABILITY AND TEST CONDITION :

TEST ITEM	SPECIFICATION	TEST CONDITION
SOLDERABILITY	MORE THAN 90% OF THE TERMINAL ELECTRODE SHALL BE COVERED WITH FRESH SOLDER.	PREHEAT : 125±25°C FOR 60 SECONDS SOLDER : 99%Sn/0.3%Ag/0.7%Cu OR EQUIVALENT SOLDER TEMP. : 245±5°C FLUX : ROSIN DIP TIME : 4±1 SECONDS
THERMAL SHOCK TEST (TEMP. CYCLE)	INDUCTANCE SHALL NOT CHANGE MORE THAN ±20%	ROOM TEMP. → -25±2°C 15 MINUTES → 30 MINUTES ROOM TEMP. → 85±2°C 15 MINUTES → 30 MINUTES TOTAL : 50 CYCLES
HUMIDITY RESISTANCE TEST		TEMPERATURE : 40±2°C HUMIDITY : 90 ~ 95% APPLIED CURRENT : PER SPEC. TIME : 500 HOURS
HIGH TEMP. RESISTANCE TEST		TEMPERATURE : 85±2°C APPLIED CURRENT : PER SPEC. TIME : 500 HOURS

10. UL CARD :

OBMW2		November 30, 2000		
Magnet Wire - Component				
PACIFIC ELECTRIC WIRE & CABLE (SHENZHEN) CO LTD				E201757
607 BAOLONG INDUSTRIAL ESTATE LONGGANG, SHENZHEN GUANGDONG CHINA				
	Coating Type		ANSI	TI
Mtl Dsg	BC	TC	Type	
UEW/U	Polyurethane	—	—	130
FEW/U	Polyester	—	MW5-C	155°C
PEWH/U	Modified Polyester	—	MW30-C	180
PEW-NY/U	Polyester	Polyamide	MW24-C	155
HAI/U	Polyester(Amide)(imide)	Polyamideimide	MW35,73	200
UEW-NY/U	Polyurethane	Polyamide	MW80-C	155
			MW28-C	130
Marking: Company name and material designation or marked designation on package or reel, and Recognized Component Mark.				
See General Information Preceding These Recognitions				
1/3/2001	Underwriters Laboratories Inc.		Card 1 of 2	



RoHS Compliant

NOTE : Specifications subject to change without notice. Please check our website for latest information.

09.05.2008



SUPERWORLD ELECTRONICS (S) PTE LTD

PG. 5

COMMON MODE CHOKE

STF1006 SERIES

10. UL CARD :

QMFZ2		May 10, 1995									
Component-Plastics		SUMITOMO BAKELITE CO LTD									
		E41429 (M)									
		(B-cont. from A card)									
AM - 3130A	ALL	0.99	94V-0	130	130	130	0	3	—	—	—
		3.0	94V-0	130	130	130	0	2	—	5	0
AM-1120, AM112	BK	0.99	94V-0	130	130	130	—	—	—	—	—
AM-1130, AM-113	BK	0.40	94V-0	130	130	130	—	—	—	—	—
	BK,GN	0.75	94V-0	130	130	130	0	2	—	—	—
	ALL	1.1	94V-0	130	130	130	0	1	—	—	—
		1.5	94V-0	130	130	130	0	1	—	—	—
		3.0	94V-0	130	130	130	0	1	0	5	0
AM-1140, AM-1130, AM-3131, AM-3000, AM-300	ALL	1.1	94V-0	130	130	130	1	0	—	—	—
	BK	1.5	94V-0	130	130	130	1	0	—	—	—
		3.0	94V-0	130	130	130	0	0	0	5	0
	BK	0.74	94V-0	130	130	130	—	—	—	—	—

Reports: November 14,1983, September 16, 1971 : December 31,1973;September 16,1971.

Replaces E41429b dated June 7, 1994. (Cont. on C card)
683540014 N7047 Underwriters Laboratories Inc.® D11/0029309

OMFZ2		January 20, 1987										
Component-Plastics		SHAW HUOW ENTERPRISE CO LTD										
		E105888 (S)										
		P O BOX 87-739 , TAIPEI TAIWAN										
Mtl Dsg	Col	Min Thk mm	UL94 Flame Class	Elec	RTI	Mech with Imp	w/o Imp	H W I	H A I	H V T R	D 4 9 5	C T I
Epoxy coating compound.												
9001A/9001B	All	1.0	94V-0	90	90	90	90	—	—	—	—	—
Marking: Company name and grade designation on container or wrapper.												
See General Information Preceding These Recognitions.												
UL94 small scale test data does not pertain to building materials, furnishings and related contents. UL94 small-scale test data is intended solely for determining the flammability of plastic materials used in the components and parts of and product devices and appliances, where the acceptability of the combination is determined by ULL.												
Report: December 23, 1986.												
833541001 H7047		Underwriters Laboratories Inc.®							D11/0137843			



RoHS Compliant

NOTE : Specifications subject to change without notice. Please check our website for latest information.

09.05.2008



SUPERWORLD ELECTRONICS (S) PTE LTD

PG. 6