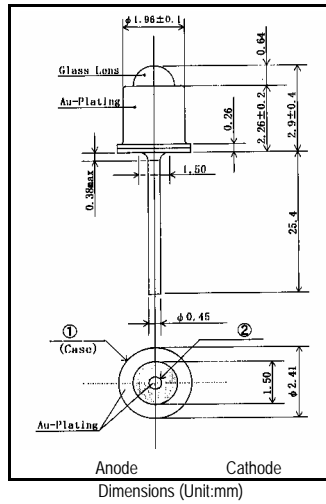


# MTPS8085PT

## Point Source LED



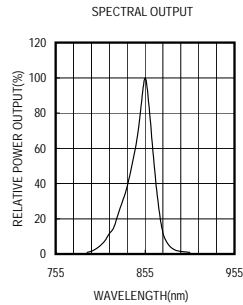
- FEATURES**
- Point-Source LED
  - Emitting Window Dia. 150 μm
  - High-output Power
  - Narrow Beam (Super Excellent)
  - Small Temp. Coefficient of PO
  - Compact ( 2mm)

- APPLICATIONS**
- Optical Switches
  - Edge Sensing (Coin Dispenser)

### 1. ABSOLUTE MAXIMUM RATINGS (Ta=25 °C)

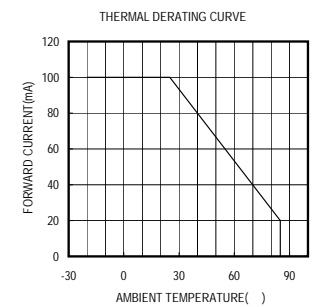
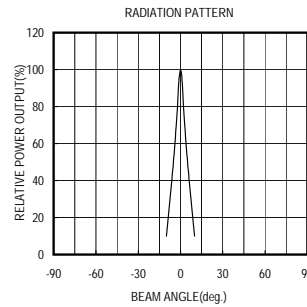
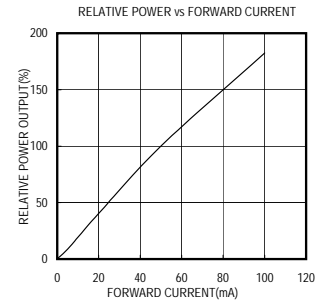
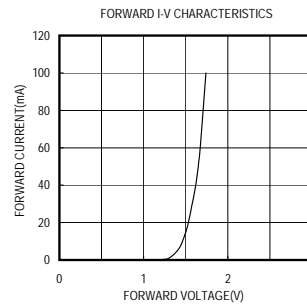
ITEM	SYMBOL	RATINGS	UNIT
Forward Current (DC)	IF	80	mA
Forward Current (Pulse)*1	IFP	0.4	A
Reverse Voltage	VR	5	V
Power Dissipation	PD	140	mW
Operating Temp.	Topr	-20 TO 85	
Storage Temp.	Tstg	-30 TO 100	

\*1:Tw=10uS,T=10mS



### 2. ELECTRICAL & OPTICAL CHARACTERISTICS (Ta=25 °C)

ITEM	SYMBOL	CONDITIONS	MIN	TYP	MAX	UNIT
Power Output	PO	IF=50mA	1.2	2.0		mW
Forward Voltage	VF	IF=50mA		1.7	2.2	V
Reverse Current	IR	VR=5V			100	μA
Peak Wavelength	λp	IF=50mA		855		nm
Spectral Line Half Width		IF=50mA		30		nm
Half Intensity Beam Angle		IF=50mA		±5		deg.



To purchase this part contact  
Marktech Optoelectronics at  
**800.984.5337**

**Marktech**  
Optoelectronics  
www.marktechopto.com

