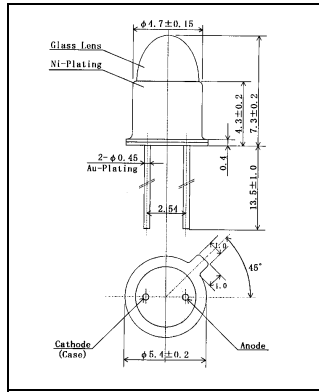
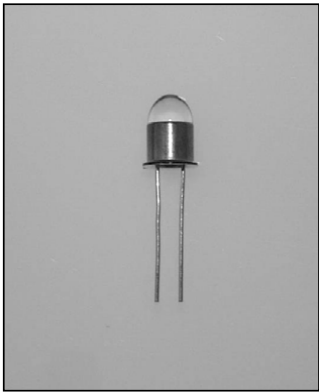


# MTPS4088P

# Point Source LED



Dimensions (Unit:mm)

- FEATURES**
- Point-Source LED
  - Emitting Window Dia.  $\phi 50\mu\text{m}$
  - High-output Power
  - Parallel Rays (Super Excellent)
  - Narrow Beam (Super Excellent)
  - Small Temp. Coefficient of PO

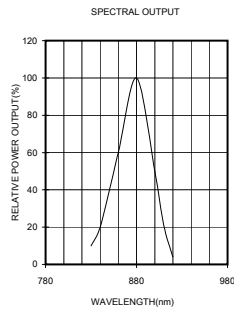
- APPLICATIONS**
- Linear & Rotary Encoder
  - Optical Switches

**1. ABSOLUTE MAXIMUM RATINGS (Ta=25°C)**

ITEM	SYMBOL	RATINGS	UNIT
Forward Current (DC)	IF	80	mA
Forward Current (Pulse)*1	IFP	0.4	A
Reverse Voltage	VR	5	V
Power Dissipation	PD	150	mW
Operating Temp.	Topr	-30 TO 100	°C
Storage Temp.	Tstg	-40 TO 125	°C
Junction Temp.	TJ	125	°C
Lead Soldering Temp.*2	Tls	260	°C

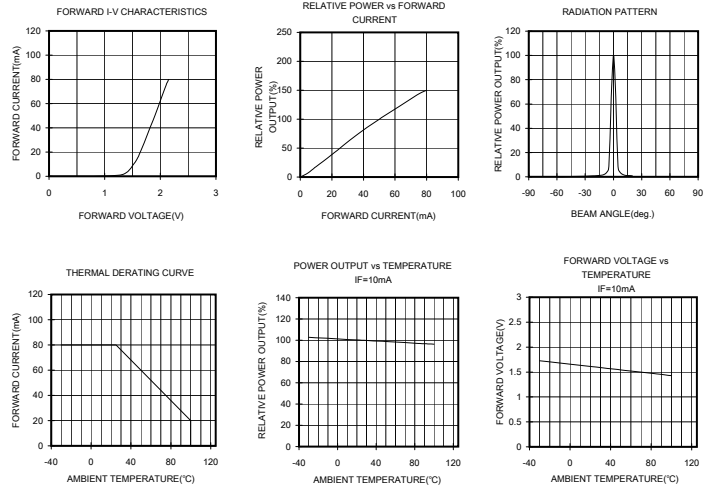
\*1:Tw=10uS,T=10mS

\*2:Time 5 Sec max,Position:Up to 3mm from the body



**2. ELECTRICAL & OPTICAL CHARACTERISTICS (Ta=25°C)**

ITEM	SYMBOL	CONDITIONS	MIN	TYP	MAX	UNIT
Power Output	PO	IF=50mA	1.8	2.5		mW
Forward Voltage	VF	IF=50mA		1.9	2.4	V
Reverse Current	IR	VR=5V			10	$\mu\text{A}$
Peak Wavelength	$\lambda_p$	IF=50mA	850	880		nm
Spectral Line Half Width	$\Delta\lambda$	IF=50mA		40		nm
Half Intensity Beam Angle	$\theta$	IF=50mA		$\pm 2$		deg.
Band Width	fc	IF=50mA+20mAp-p		20		MHz
Junction Capacitance	Cj	1MHz ,V=0V		40		pF
Temp. Coefficient of PO	P/T	IF=10mA		-0.05		%/°C
Temp. Coefficient of VF	V/T	IF=10mA		-2.3		mV/°C



To purchase this part contact  
Marktech Optoelectronics at  
**800.984.5337**

**Marktech**  
Optoelectronics  
www.marktechopto.com



2/2/2010