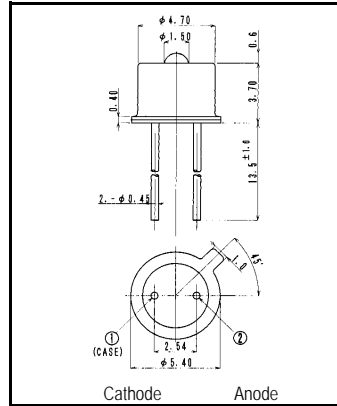
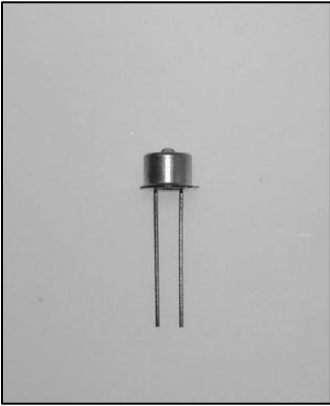


MTPS4088NP

Point Source LED



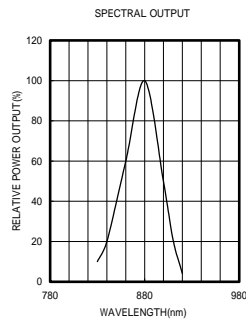
- FEATURES**
- Point-source LED
 - Emitting Window Dia. 50 μm
 - High-output Power
 - Double-lens
 - Ball-lens & Focusing-Lens
- APPLICATIONS**
- Optical Communications
 - Fiber Optics

1. ABSOLUTE MAXIMUM RATINGS (Ta=25 °C)

ITEM	SYMBOL	RATINGS	UNIT
Forward Current (DC)	IF	80	mA
Forward Current (Pulse)*1	IFP	0.4	A
Reverse Voltage	VR	5	V
Power Dissipation	PD	150	mW
Operating Temp.	ToPr	-30 TO 85	
Storage Temp.	Tstg	-40 TO 100	
Junction Temp.	Tj	100	
Lead Soldering Temp.*2	Tls	260	

*1:Tw=10μs,T=10mS

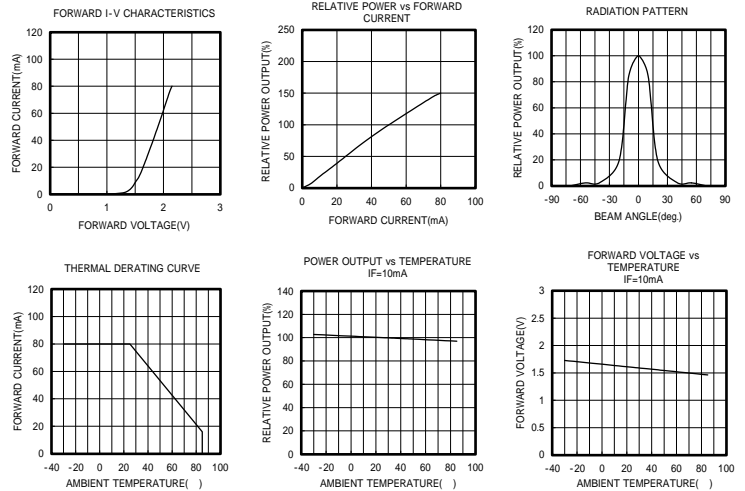
*2:Time 5 Sec max,Position:Up to 3mm from the body



2. ELECTRICAL & OPTICAL CHARACTERISTICS (Ta=25 °C)

ITEM	SYMBOL	CONDITIONS	MIN	TYP	MAX	UNIT
Power Output	PO	IF=50mA	2.5	3.4		mW
Forward Voltage	VF	IF=50mA		1.9	2.4	V
Reverse Current	IR	VR=5V			10	μA
Peak Wavelength	p	IF=50mA	850	880		nm
Spectral Line Half Width		IF=50mA		40		nm
Half Intensity Beam Angle		IF=50mA		±15		deg.
Band Width	fc	IF=50mA+20mA p-p		20		MHz
Junction Capacitance	Cj	1MHz, V=0V		40		pF
Temp. Coefficient of PO	P/T	IF=10mA		-0.05		%/
Temp. Coefficient of VF	V/T	IF=10mA		-2.3		mV/
Fiber-Coupled-Power*1	Pf	IF=50mA		900		μW
Fiber-Coupled-Power*2	Pf	IF=50mA		150		μW

*1 200/230 NA=0.4 *2 100/140 NA=0.28



To purchase this part contact
Marktech Optoelectronics at
800.984.5337

Marktech
Optoelectronics
www.marktechopto.com

