

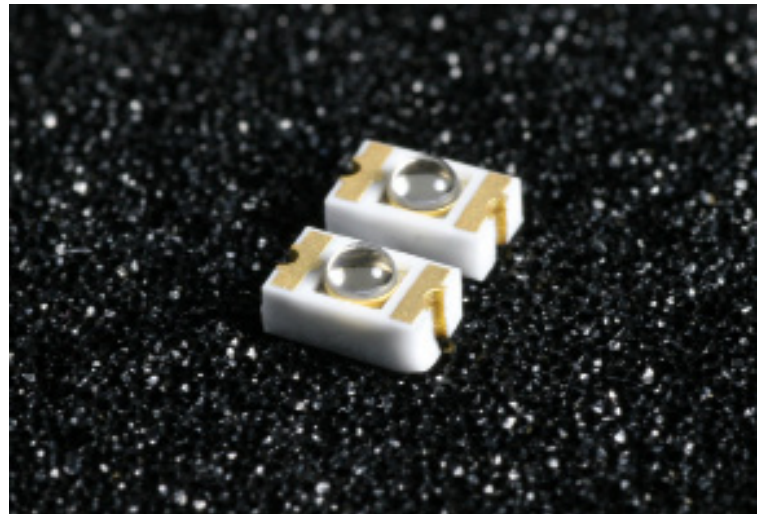
## Infrared Emitting Diode

Features:

- Point Source LED
- Emitting Window Diameter  $\Phi$  50 $\mu$ m
- High Output Power
- High Reliability in Demanding Environments

Applications:

- Optical Switches
- Optical Instruments



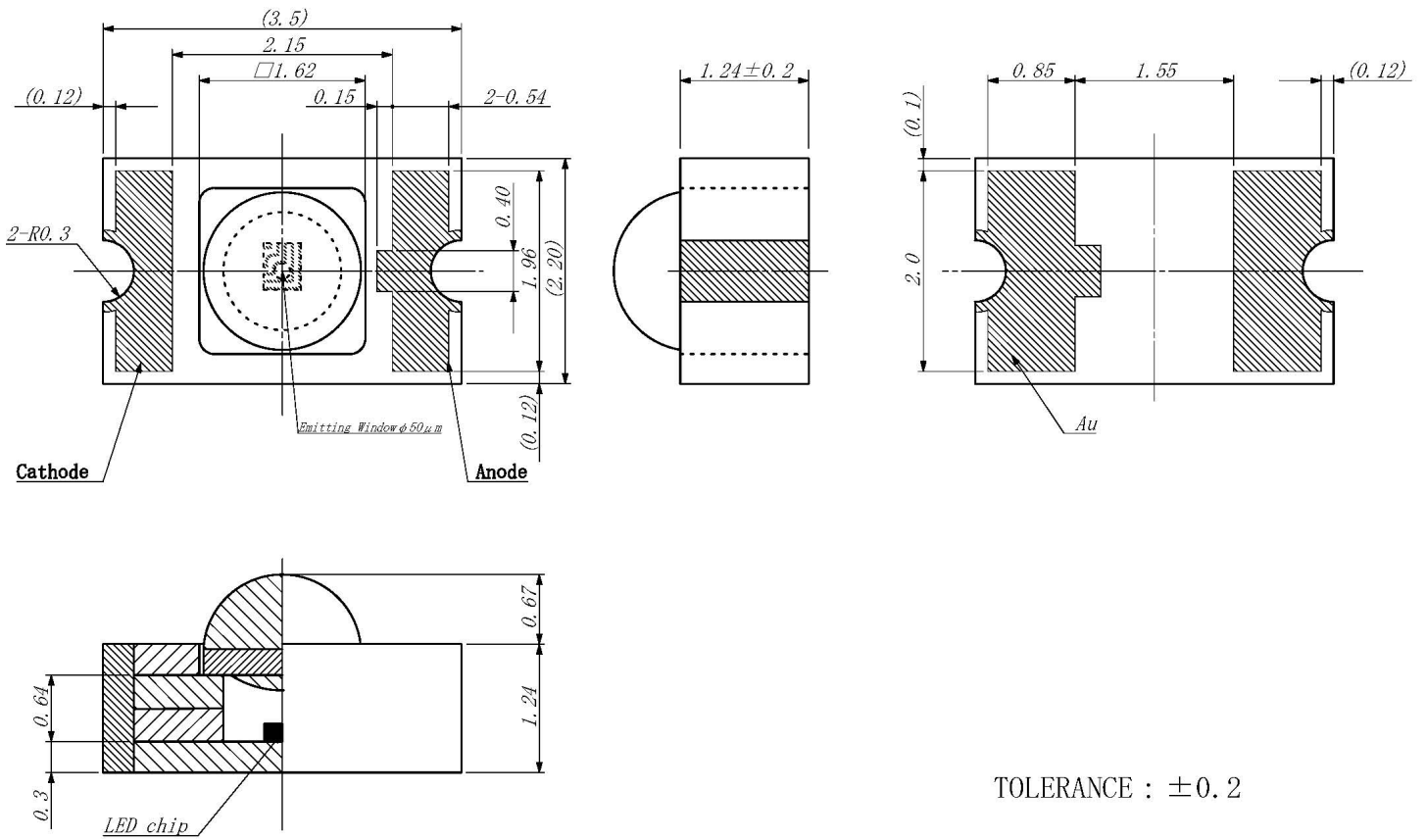
## Absolute Maximum Ratings (Ta=25°C)

Items	Symbol	Ratings	Unit
Forward Current (DC)	IF	80	mA
Reverse Voltage	VR	5	V
Power Dissipation	PD	150	mW
Operating Temperature	Topr	-20 ~ +85	°C
Storage Temperature	Tstg	-30 ~ +100	°C
Soldering Temperature*1	Tsol	260	°C

\*1: For 5 seconds up to 3mm from the body of the device.

## Electrical & Optical Characteristics (Ta = 25°C)

Items	Symbol	Conditions	Min	Typ	Max	Unit
Power Output	PO	IF=50mA	--	2.0	--	mW
Forward Voltage	VF	IF=50mA	--	1.9	2.4	V
Reverse Current	IR	VR=5V	--	--	10	$\mu$ A
Peak Wavelength	$\lambda_p$	IF=50mA	850	880	--	nm
Spectral Line Half Width	$\Delta \lambda$	IF=50mA	--	40	--	nm
Half Intensity Beam Angle	$\theta$	IF=50mA	--	$\pm 10$	--	deg.



TOLERANCE :  $\pm 0.2$