

GATE DRIVE & BASE DRIVE TRANSFORMERS

- ① Designs for Single or Double Ended Controllers
- ② High Isolation Voltages
- ③ Designs From 20KHz to >300KHz

- ④ Very Low Leakage Inductance
- ⑤ Industry Standard Packages
- ⑥ Multiple Configurations

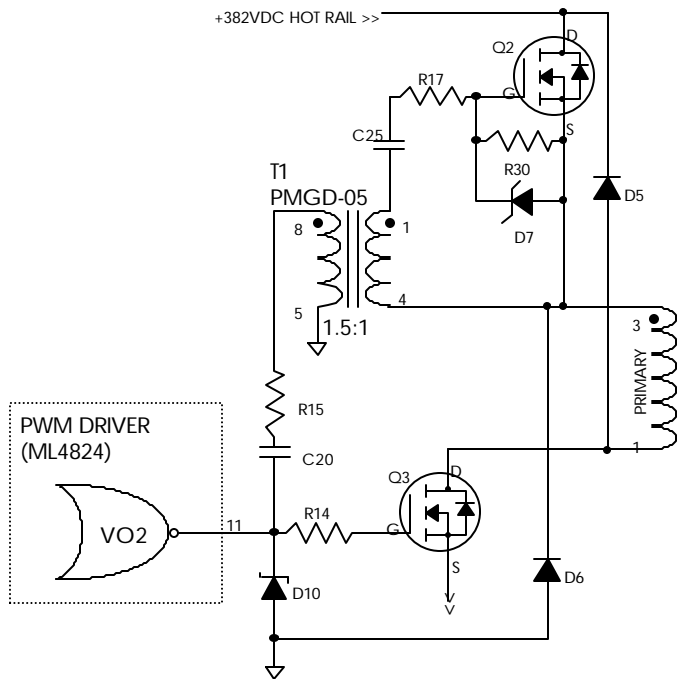
ELECTRICAL SPECIFICATIONS AT 25°C - OPERATING TEMPERATURE RANGE -25°C TO +80°C

CLICK ON THE RESPECTIVE [PART NUMBER](#) TO DISPLAY A DETAIL DATA SHEET

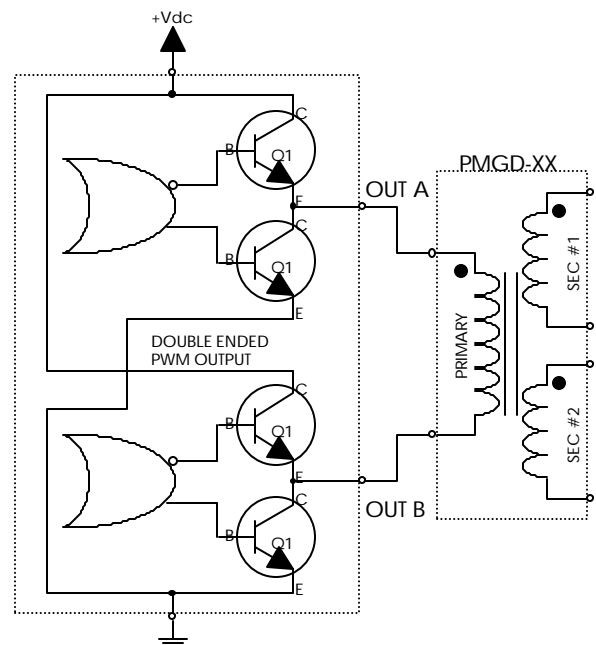
PART NUMBER	TURNS RATIO (Pri:Sec±5%)	PRIMARY OCL (mH Typ.)	LEAKAGE IND (mH Max.)	PRI/SEC HI-POT V	PACKAGE	TYPICAL APPLICATION NOTE
PMGD-02	1 : 1 : 1	530	1.5	1500dc	EP13	150KHz Double Ended Drive
PMGD-03	1 : 1	800	2.0	1500dc	EP7	100KHz Single Ended Drive
PMGD-04	1 : 1 : 1	24500	20.0	1000dc	EP10	20KHz Double Ended Drive
PMGD-05	1 : 0.67	6200	15.0	1000dc	EP10	25KHz Single Ended Drive
PMGD-06	1 : 1	6200	15.0	2000ac	EP10	100KHz Double Ended Drive
PMGD-07	1 : 2 : 2	2350	2.0	1500ac	EP13	40KHz Dual Single Ended Drive
PMGD-08	1 : 1.25 : 1.25	575	1.0	3000ac	EP13	180KHz Dual Single Ended Drive
PMGD-09	1 : 2 : 2	2350	2.0	3000ac	EP13	40KHz Dual Single Ended Drive
PMGD-10	1 : 2 : 2	8350	25.0	2500ac	EP13	20KHz Dual Single Ended Drive

TYPICAL APPLICATIONS

TYPICAL SINGLE ENDED APPLICATION CIRCUIT



TYPICAL DOUBLE ENDED APPLICATION CIRCUIT



Specifications subject to change without notice.

pmgd 04/03

20381 BARENTS SEA CIRCLE, LAKE FOREST, CA 92630 · TEL: (949) 452-0511 · FAX: (949) 452-0512 · <http://www.premiermag.com>

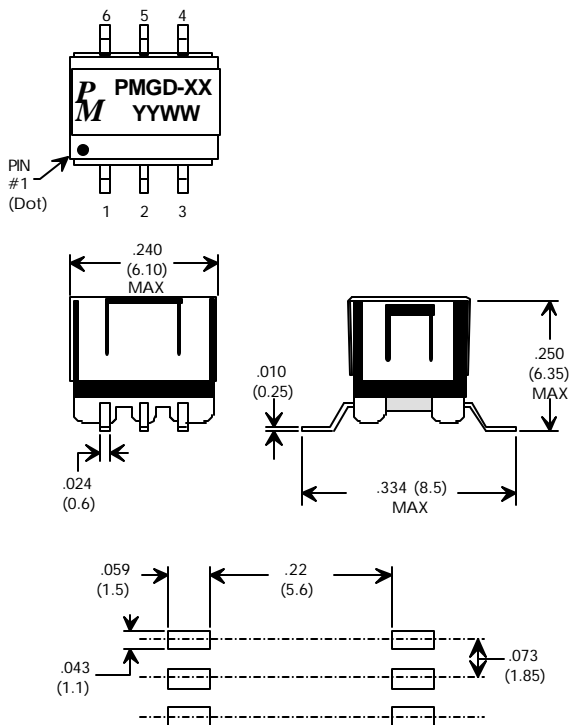
GATE DRIVE & BASE DRIVE TRANSFORMERS

- ① Designs for Gate/Base/Flyback/Push-pull
- ② High Isolation Voltages
- ③ Designs From 50KHz and up operation frequency
- ④ SMD Industry Standard Packages
- ⑤ Operation Temp -40C to +85C
- ⑥ Multiple Configurations

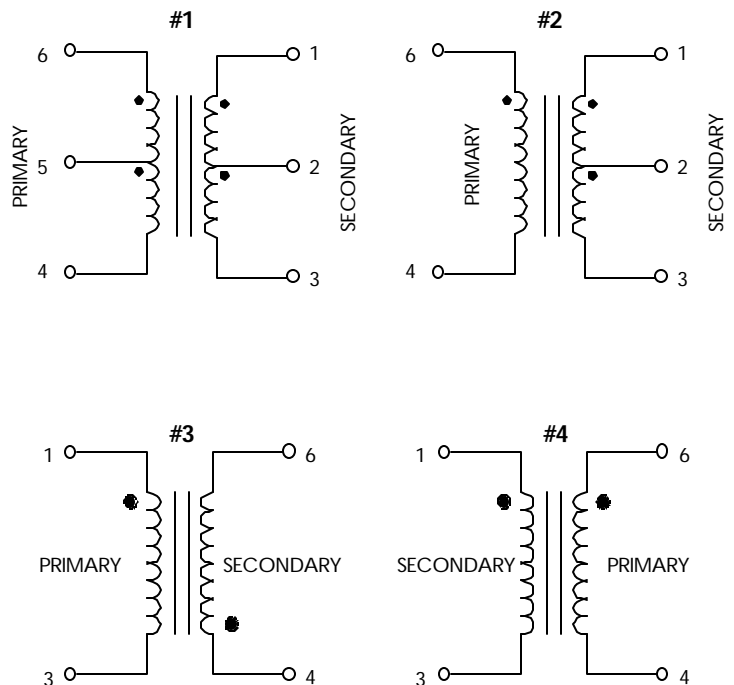
ELECTRICAL SPECIFICATIONS AT 25°C - OPERATING TEMPERATURE RANGE -40°C TO +85°C

PART NUMBER	TURNS RATIO (Pri:Sec ±5%)	PRIMARY OCL	LEAKAGE IND (mH tpy.)	PRI DCR (W MAX.)	SEC DCR (W MAX.)	PRI/SEC HI-POT VDC	PACKAGE/ SCHEMATIC
PMGD-50	1CT : 1CT	800 MIN	3.00	3.50	3.50	1250	EP5G/1
PMGD-51	1CT : 2CT	390 MIN	1.50	2.25	4.50	1250	EP5G/1
PMGD-52	1CT : 2.5CT	390 MIN	1.50	2.25	6.00	1250	EP5G/1
PMGD-53	1CT : 3CT	2000 MIN	1.20	3.00	25.0	1250	EP5G/1
PMGD-54	1 : 1CT	2000 MIN	1.20	2.75	2.75	1250	EP5G/2
PMGD-55	1 : 2CT	17.2 ± 20%	1.00	1.25	3.00	1250	EP5G/2
PMGD-56	1 : 12.04	3.7 ± 20%	0.275	0.90	12.25	550	EP5G/3
PMGD-57	1 : 3.0	9.88 ± 20%	0.500	1.00	3.25	1250	EP5G/4

EP5G MECHANICAL



EP5G SCHEMATICS

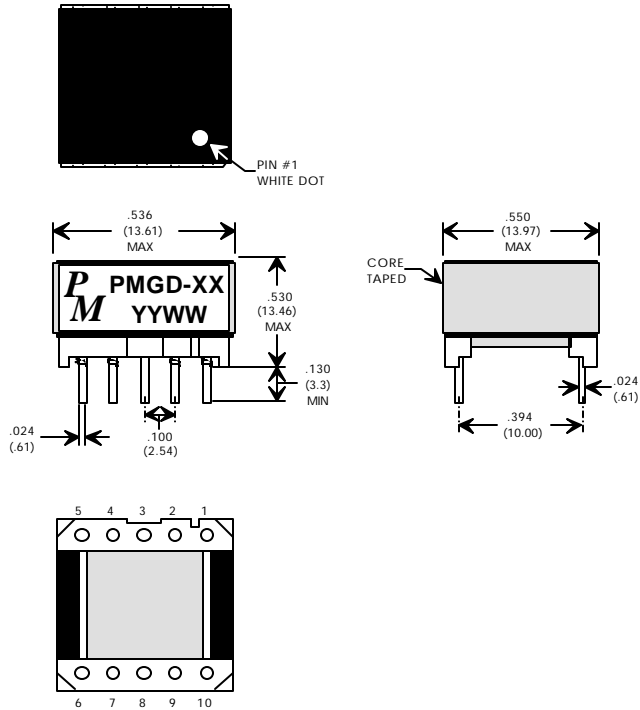


Specifications subject to change without notice.

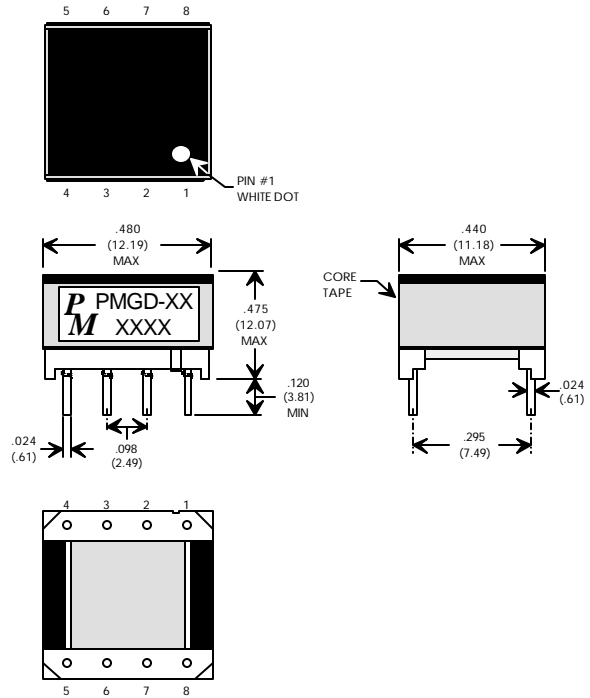
nmod_04/03

GATE DRIVE & BASE DRIVE TRANSFORMERS

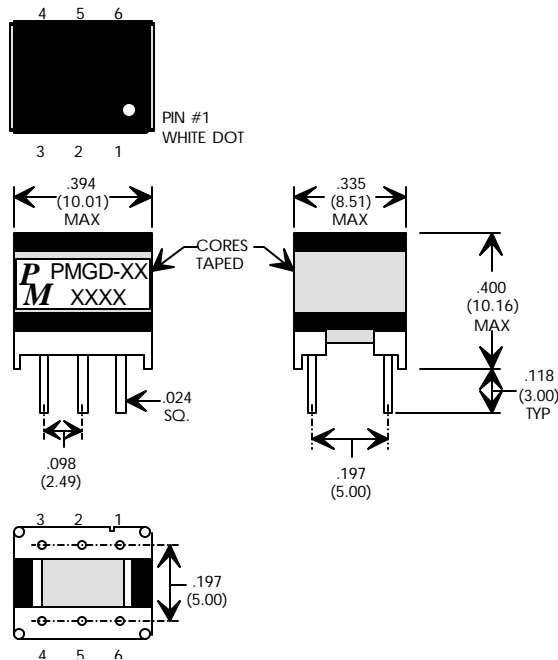
EP13 MECHANICAL



EP10 MECHANICALS



EP7 MECHANICAL



Specifications subject to change without notice.

pmgd 04/03

20381 BARENTS SEA CIRCLE, LAKE FOREST, CA 92630 · TEL: (949) 452-0511 · FAX: (949) 452-0512 · <http://www.premiermag.com>