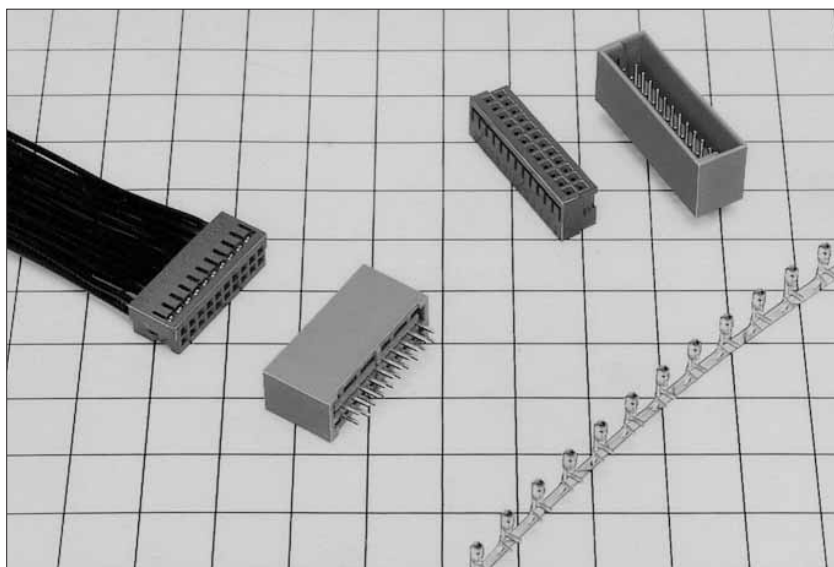


## Connections of the Various Units and Device Interiors

# GT8 Series

### — High-Pressure Connectors — <GT8, GT8A, GT8Z and GT8E>



#### ■ Features

##### <GT8, GT8A, GT8Z>

##### Crimp Terminals

- Use of an air-tight dimple construction at the contact portion serves to prevent oxidation of the contact portion.
- F Connector Housing
- Terminal number markings appear in a large size in consideration of insertion processing.
- Form designed to prevent erroneous insertion.

##### M Connectors

- Designed with escape holes for washing liquid to escape so that secondary soiling may be prevented when the board has been washed.
- The surrounding wall of the terminal has been constructed higher than the terminal so as to prevent terminal bending.

##### The others

- The F connector housing fits entirely inside of the M connector to prevent incomplete insertion and prevents twisting and other problems. The F connector is guarded so that there is no slanting nor contact movement, and the connector is resistant to vibration.
- The color of the F connector housing and the M connector have been changed to prevent incomplete insertion.

##### M Connectors (SMT Product)

- Instead of using screws for board fastening, a lead reflow type of reinforced fitting is used that permits soldering at the time of reflow.

#### ■ Applications

Internal connections of mobile units and industrial equipments.

GT 5

GT 13

GT 16

PO5G

GT 11

GT 14

GT 17

GT 19

GT 3

GT 6W

GT 7

GT 10

GT 18W

GT 15

GT 8

GT 9

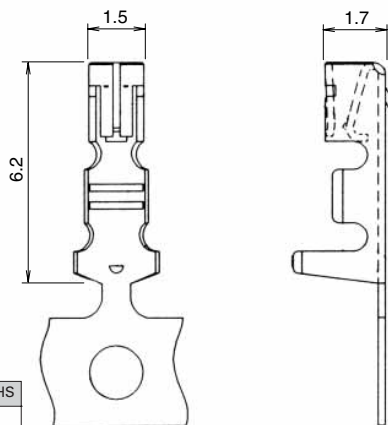
GT 25

Connections of the Various Units  
and Device Interiors

## GT8 Series

### F Connectors

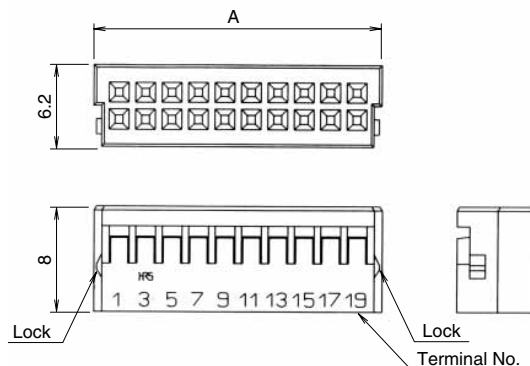
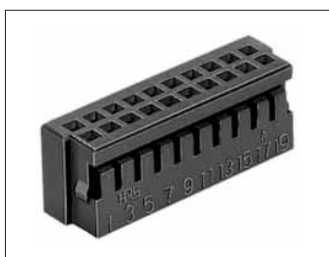
#### Terminals



Part Number	CL No.	Material	Finish	Packaging	RoHS
GT8-2428SCF(70)	758-0001-8-70	Phosphor bronze	Tin plating	10,000 pcs. per reel	YES
GT8-2022SCF	758-0026-9	Phosphor bronze	Tin plating	10,000 pcs. per reel	
GT8E-2022SCF	758-0033-4	Phosphor bronze	Tin plating	10,000 pcs. per reel	
GT8B-2428SCF	758-0055-7	Phosphor bronze	Tin plating	10,000 pcs. per reel	

GT8-2428SC(70) loose terminals for hand tools are also available. There are 100 pieces per package.

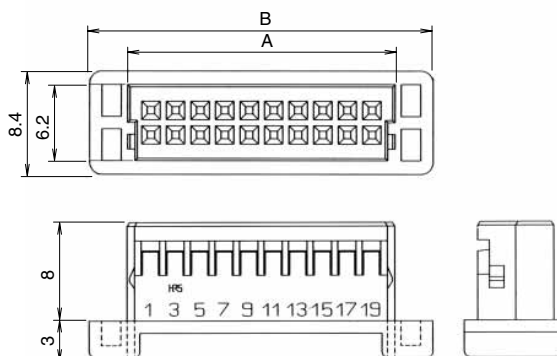
#### Housing (Without Flange)



Part Number	CL No.	Material	Color	Number of positions	A dimension	Specifications	Packaging	RoHS
GT8-14DS-2C	758-0018-0	PBT	Dark gray	14	15.8		1	YES
GT8-20DS-2C	758-0003-3			20	21.8		1	
GT8-24DS-2C	758-0005-9			24	25.8		1	
GT8A-20DS-2C	758-0011-1			20	21.8	Without lock	1	
GT8A-24DS-2C	758-0012-4			24	25.8	Without lock	1	

Note : Applicable terminal is GT8-2022SCF, GT8-2428SCF(70).

#### Housing (With Flange)



Part Number	CL No.	Material	Color	Number of positions	A dimension	B dimension	Packaging	RoHS
GT8Z-14DS-2C	758-0009-0	PBT	Dark gray	14	15.8	22	1	YES
GT8Z-20DS-2C	758-0007-4			20	21.8	28	1	
GT8Z-24DS-2C	758-0008-7			24	25.8	32	1	

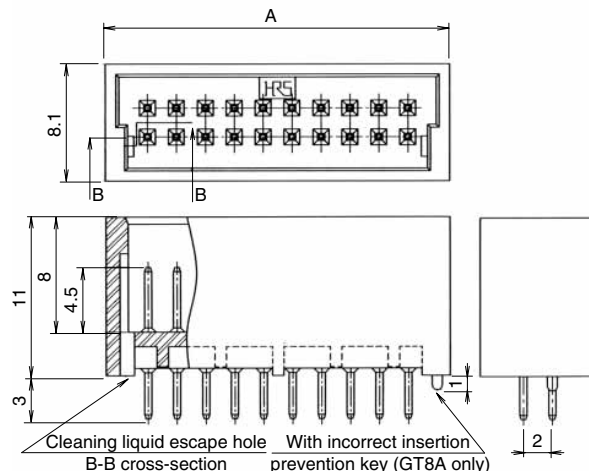
Note1 : This product mates with GT8- or GT8A-\*DP-2DSA(70).

Note2 : Applicable terminal is GT8-2022SCF, GT8-2428SCF(70).

GT 5  
 GT 13  
 GT 16  
 PO5G  
 GT 11  
 GT 14  
 GT 17  
 GT 19  
 GT 3  
 GT 6W  
 GT 7  
 GT 10  
 GT 18W  
 GT 15  
 GT 8  
 GT 9  
 GT 25  
 Connections of the Various Units and Device Interiors

## M Connectors

### Board Type

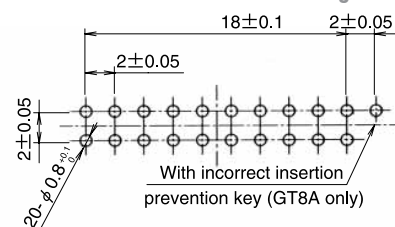


Material	Finish
PBT	Color: Light gray
Brass	Tin plating

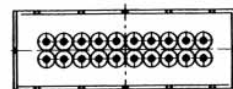
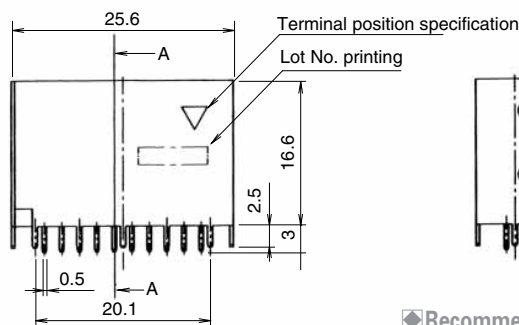
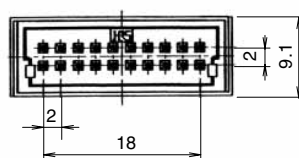
Note: This product is of a one-piece design.

Part Number	CL No.	Number of positions	A dimension	Specifications	Packaging	RoHS
GT8-14DP-2DSA(70)	Under development	14	—	Incorrect insertion prevention key	1	YES
GT8-20DP-2DSA(70)	758-0004-6-70	20	23.8		1	
GT8-24DP-2DSA(70)	758-0006-1-70	24	27.8		1	
GT8A-14DP-2DSA(70)	758-0010-9-70	14	17.8		1	
GT8A-20DP-2DSA(70)	758-0013-7-70	20	23.8		1	
GT8A-24DP-2DSA(70)	758-0014-0-70	24	27.8		1	

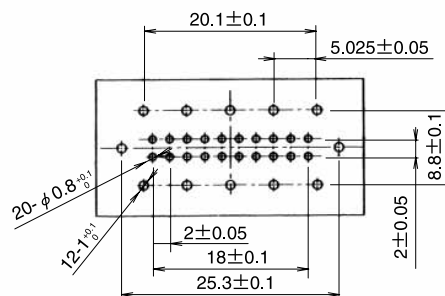
### Recommended PCB Mounting Pattern



### Type With Feed-through Capacitor



### Recommended PCB Mounting Pattern



Part Number	CL No.	Packaging	RoHS
GT8C-20DP-2DSA(70)	758-0015-2-70	1	YES

\* Capacitor value of 1,000 pF is standard.  
 Should you have other requirements, please contact a Hirose Electric account representative.

- GT 5
- GT 13
- GT 16
- PO5G
- GT 11
- GT 14
- GT 17
- GT 19
- GT 3
- GT 6W
- GT 7
- GT 10
- GT 18W
- GT 15
- GT 8
- GT 9
- GT 25

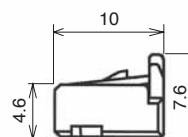
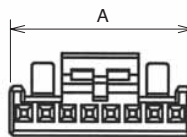
Connections of the Various Units and Device Interiors

GT8 Series

**GT8E Series**

**F Connectors**

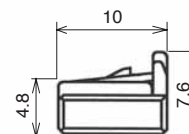
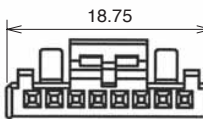
● Housing(with lock)



Part Number	CL No.	Material	Color	Number of positions	A dimension	Packaging	RoHS
GT8E-2S-2C	758-0030-6	PBT	Black	2	7.1	1	YES
GT8E-8S-2C	758-0029-7	PBT	Black	8	16.6	1	

Note 1: Applicable terminal is GT8E-2022SCF, GT8B-2428SCF.  
 Note 2: GT8E-2S-2C mates with GT8E-2P-2H(70), GT8E-8/2P-2H(70) or GT8E-2P-DS.  
 GT8E-8S-2C mates with GT8E-8/2P-2H(70).

● Housing(with lock)



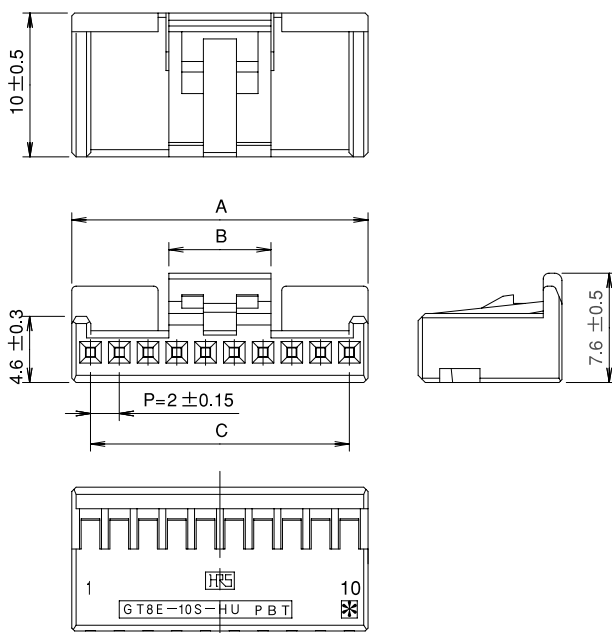
Part Number	CL No.	Material	Color	Number of positions	Packaging	RoHS
GT8E-8DS-2C	758-0027-1	PBT	Black	8	1	YES

Note 1: Applicable terminal is GT8-2022SCF, GT8-2428SCF(70).  
 Note 2: This product mates with GT8E-8DP-2H(70).

Connections of the Various Units and Device Interiors

- GT 5
- GT 13
- GT 16
- PO5G
- GT 11
- GT 14
- GT 17
- GT 19
- GT 3
- GT 6W
- GT 7
- GT 10
- GT 18W
- GT 15
- GT 8
- GT 9
- GT 25

● Single row Housing(with lock)

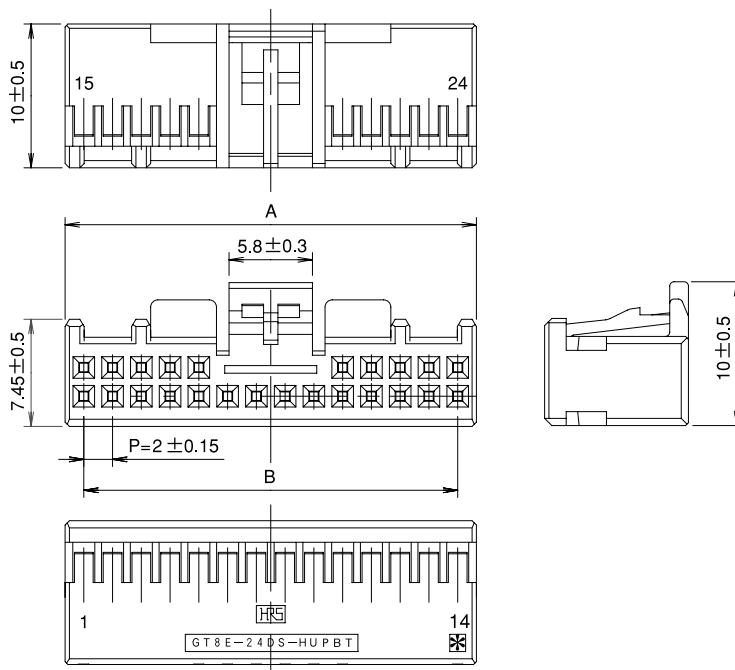
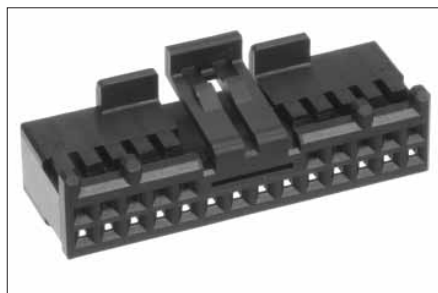


Part Number	CL No.	Material	Color	Number of positions	A dimension	B dimension	C dimension	Packaging	RoHS
GT8E-3S-HU	758-0061-0	PBT	Black	3	7.9±0.5	7.9±0.5	4±0.15	1	YES
GT8E-4S-HU	758-0047-9	PBT	Black	4	8.6±0.5	8.6±0.5	6±0.15	1	
GT8E-5S-HU	758-0062-2	PBT	Black	5	12±0.5	7.1±0.5	8±0.15	1	
GT8E-6S-HU	758-0048-1	PBT	Black	6	12.6±0.5	7.1±0.5	10±0.15	1	
GT8E-7S-HU	758-0063-5	PBT	Black	7	15.6±0.5	7.1±0.5	12±0.15	1	
GT8E-8S-HU	758-0049-4	PBT	Black	8	16.6±0.5	7.1±0.5	14±0.15	1	
GT8E-10S-HU	758-0050-3	PBT	Black	10	20.6±0.7	7.1±0.5	18±0.15	1	

Note 1: Applicable terminal is GT8E-2022SCF, GT8B-2428SCF.

Note 2: This product mates with GT8E-\*P-DS.

● Double row Housing(with lock)



Part Number	CL No.	Material	Color	Number of positions	A dimension	B dimension	Packaging	RoHS
GT8E-12DS-HU	CL758-0051-6	PBT	Black	12	16.6±0.5	14±0.15	1	YES
GT8E-16DS-HU	CL758-0064-8	PBT	Black	16	21.85±0.7	18±0.15	1	
GT8E-20DS-HU	CL758-0052-9	PBT	Black	20	24.6±0.7	22±0.15	1	
GT8E-24DS-HU	CL758-0054-4	PBT	Black	24	28.6±0.7	26±0.15	1	

Note 1: Applicable terminal is GT8E-2022SCF, GT8B-2428SCF.

Note 2: This product mates with GT8E-\*DP-DS.

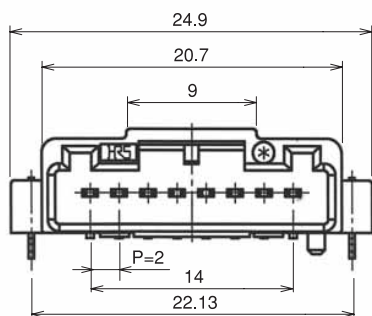
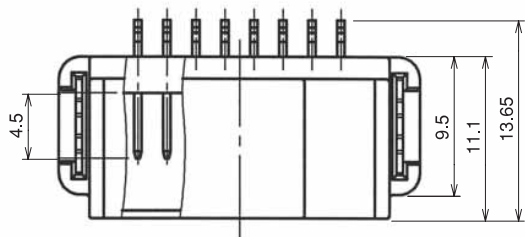
- GT 5
- GT 13
- GT 16
- PO5G
- GT 11
- GT 14
- GT 17
- GT 19
- GT 3
- GT 6W
- GT 7
- GT 10
- GT 18W
- GT 15
- GT 8
- GT 9
- GT 25

Connections of the Various Units and Device Interiors

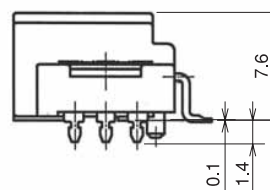
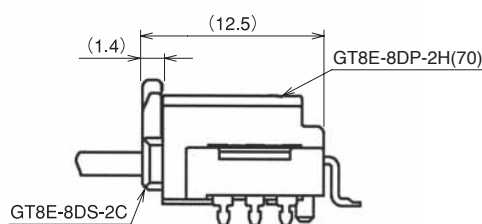
GT8 Series

**M Connector**

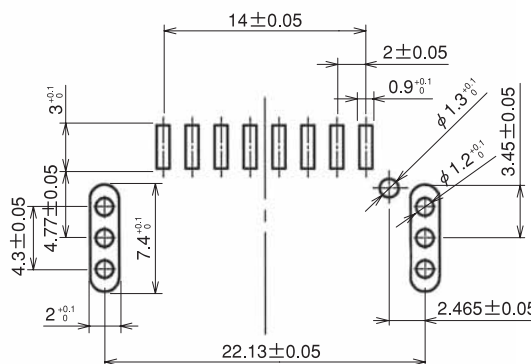
● Boad type (SMT type, 8 positions)



◆ Fully mated connector assemblies



◆ Recommended PCB Mounting Pattern



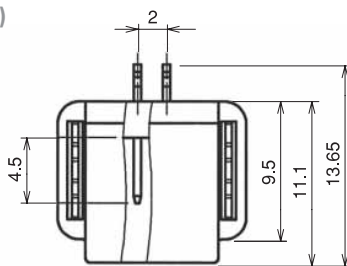
Part Number	CL No.	Material	Finish	Packaging	RoHS
GT8E-8DP-2H(70)	758-0028-4-70	PPS(Housing)	Color :Black	400pcs.per reel	YES
		Brass(Contact)	Tin plated		
		Brass(Reinforced fitting)	Tin plated		

Note 1: Applicable housing is GT8E-8DS-2C.

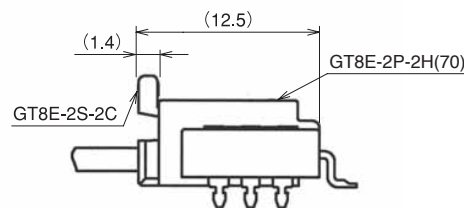
- GT 5
- GT 13
- GT 16
- PO5G
- GT 11
- GT 14
- GT 17
- GT 19
- GT 3
- GT 6W
- GT 7
- GT 10
- GT 18W
- GT 15
- GT 8
- GT 9
- GT 25

Connections of the Various Units and Device Interiors

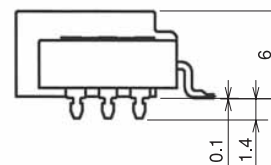
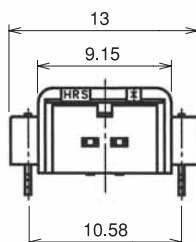
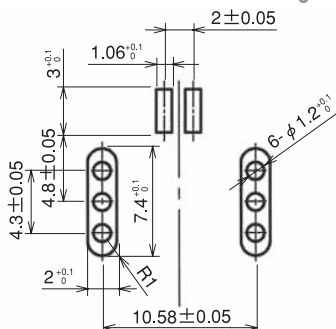
● Board type(SMT type, 2 positions)



◆ Fully mated connector assemblies



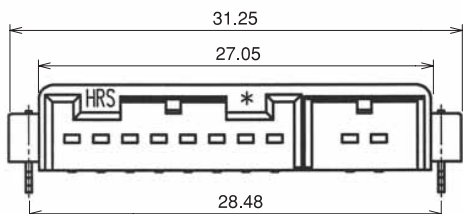
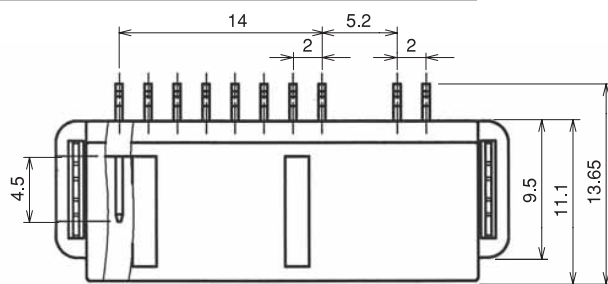
◆ Recommended PCB Mounting Pattern



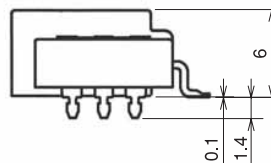
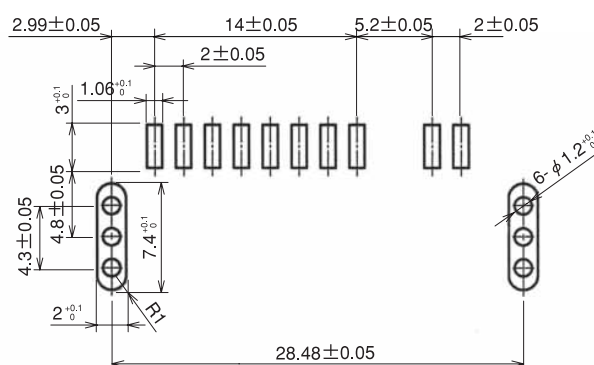
Part Number	CL No.	Material	Finish	Packaging	RoHS
GT8E-2P-2H(70)	758-0032-1-70	PPS(Housing)	Color Black	500pcs.per reel	YES
		Brass(Contact)	Tin plated		
		Brass(Metal fitting)	Tin plated		

Note 1: Applicable housing is GT8E-2S-2C.

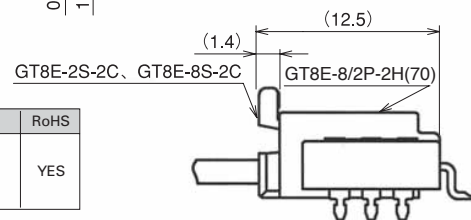
● Board type(SMT type, 8/2 positions)



◆ Recommended PCB Mounting Pattern



◆ Fully mated connector assemblies



Part Number	CL No.	Material	Finish	Packaging	RoHS
GT8E-8/2P-2H(70)	758-0031-9-70	PPS(Housing)	Color Black	500pcs.per reel	YES
		Brass(Contact)	Tin plated		
		Brass(Metal fitting)	Tin plated		

Note 1: Applicable housing is GT8E-2S-2C, GT8E-8S-2C.

- GT 5
- GT 13
- GT 16
- PO5G
- GT 11
- GT 14
- GT 17
- GT 19
- GT 3
- GT 6W
- GT 7
- GT 10
- GT 18W
- GT 15
- GT 8
- GT 9
- GT 25

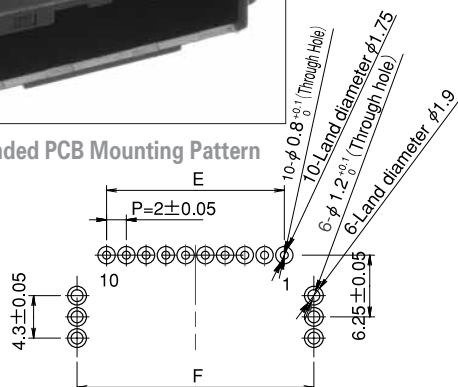
Connections of the Various Units and Device Interiors

## GT8 Series

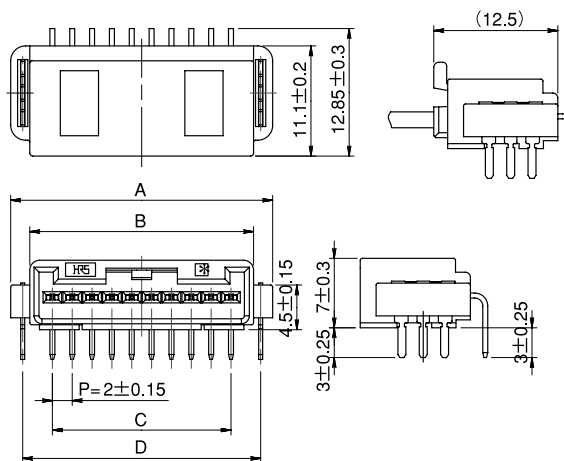
### ● Boad type(Single row DIP type)



#### ◆ Recommended PCB Mounting Pattern



### ◆ Fully mated connector assemblies



Part Number	CL No.	Number of portions	A dimension Tolerance±0.5	B dimension Tolerance±0.5	C dimension Tolerance±0.5	D dimension Tolerance±0.2	E dimension Tolerance±0.05	F dimension Tolerance±0.05	Packaging	RoHS
GT8E-2P-DS	758-0040-0	2	13	9.15	2	10.58	2	10.58	1	YES
GT8E-3P-DS	758-0057-2	3	13.7	9.85	4	11.28	4	11.28	1	
GT8E-4P-DS	758-0041-2	4	14.4	10.55	6	11.98	6	11.98	1	
GT8E-5P-DS	758-0058-5	5	17.8	13.95	8	15.38	8	15.38	1	
GT8E-6P-DS	758-0042-5	6	18.4	14.55	10	15.98	10	15.98	1	
GT8E-7P-DS	758-0059-8	7	21.4	17.55	12	18.98	12	18.98	1	
GT8E-8P-DS	758-0043-8	8	22.4	18.55	14	19.98	14	19.98	1	
GT8E-10P-DS	758-0044-0	10	26.4	22.55	18	23.98	18	23.98	1	

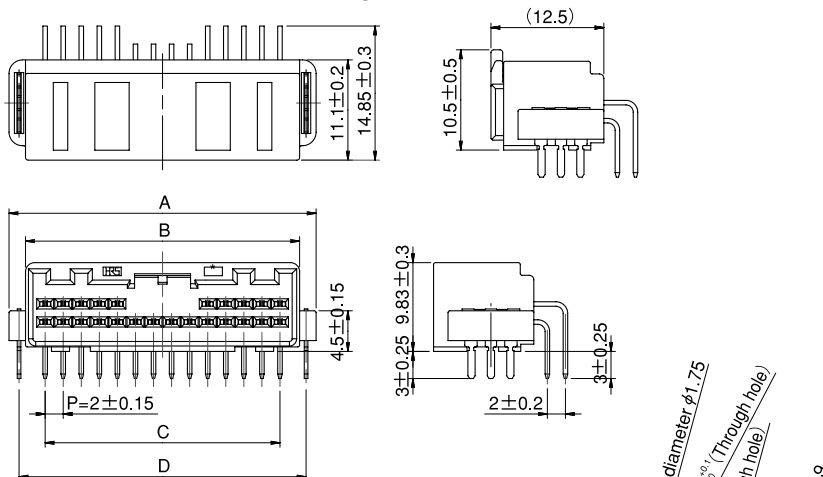
Note1 : Applicable housing is GT8E-\*S-HU  
 Note2 : GT8E-2P-DS mates with GT8E-2S-2C.

Material	Finish
PBT(Housing)	Color Black
Brass(Contact)	Tin plated
Brass(Metal fitting)	Tin plated

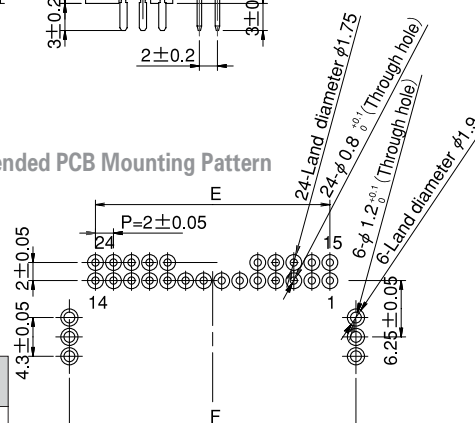
### ● Boad type(Double row DIP type)



### ◆ Fully mated connector assemblies



#### ◆ Recommended PCB Mounting Pattern



Part Number	CL No.	Number of portions	A dimension Tolerance±0.3	B dimension Tolerance±0.3	C dimension Tolerance±0.5	D dimension Tolerance±0.2	E dimension Tolerance±0.05	F dimension Tolerance±0.05	Packaging	RoHS
GT8E-12DP-DS	CL758-0045-3	12	22.4	18.55	14	19.98	14	19.98	1	YES
GT8E-16DP-DS	CL758-0060-7	16	27.25	23.6	18	25.03	18	25.03	1	
GT8E-20DP-DS	CL758-0046-6	20	30	26.35	22	27.78	22	27.78	1	
GT8E-24DP-DS	CL758-0053-1	24	34	30.35	26	31.78	26	31.78	1	

Note : Applicable housing is GT8E-\*DS-HU

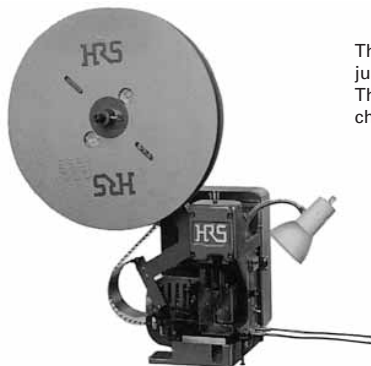
Material	Finish
PBT(Housing)	Color Black
Brass(Contact)	Tin plated
Brass(Metal fitting)	Tin plated



## ◆ Termination Tools

User's manuals are available. Please contact a Hirose Electric account representative.

### Automatic Crimping Machine



The photograph shows just one example. The product is subject to change.

#### Specifications

Item	Specification	Remarks
Specification	1.5ton	
Stroke length	30mm	
Number of strokes	200 spm (50 Hz)	240 spm (60 Hz)
Wight	75 kg	
Motor	0.2kw	AC100V
Crimping speed	2,000 to 4,000 pcs. per Hour	

Part number CM-105

Applicator Product Number
AP105-GT8-2428S

### ● Hand Tool



Product Number	HRS No.
HT102-GT8-2428S	—

\* Crimp height setting tables are available for each cable type. Please contact your nearest Hirose Electric account representative. Different cables will requires different crimp height settings.

GT 5

GT 13

GT 16

PO5G

GT 11

GT 14

GT 17

GT 19

GT 3

GT 6W

GT 7

GT 10

GT 18W

GT 15

GT 8

GT 9

GT 25

Connections of the Various Units and Device Interiors