

固態繼電器

Power S.S.R

Features

- Magnetism Isolated ; DC Output.
- Input LED Indicator.
- High dv / dt and High Blocking Voltage.
- TTL and CMOS Compatible.
- High Surge Rating Allows Lamp and Motor Load Switching.
- MOSFET / IGBT Output.

**Order Code**

SDD 10 S 0 * *
a b c d e f

- a: Model: SDD = DC input, DC output
 b: Rated Current: 10A, 20A, 35A, 60A
 c: Input Voltage: S = 4~7 VDC ; H = 10~32 VDC
 d: Output voltage: 0 = 50 VDC ; 2 = 220 VDC ; 4 = 400 VDC
 e: Special Code: NIL = With LED ; N = Without LED
 f: Option: NIL = With Safety Cover ; C = Without Safety Cover

Input

Type No		10 A	20 A	35 A	60 A
Input Voltage Range	S	4~7 VDC			
	H	10~32 VDC			
Max. Pick - Up Voltage	S	4 V			
	H	10 V			
Max. Input Current		20 mA			
Min. Release Voltage	S	1 VDC			
	H	4 VDC			

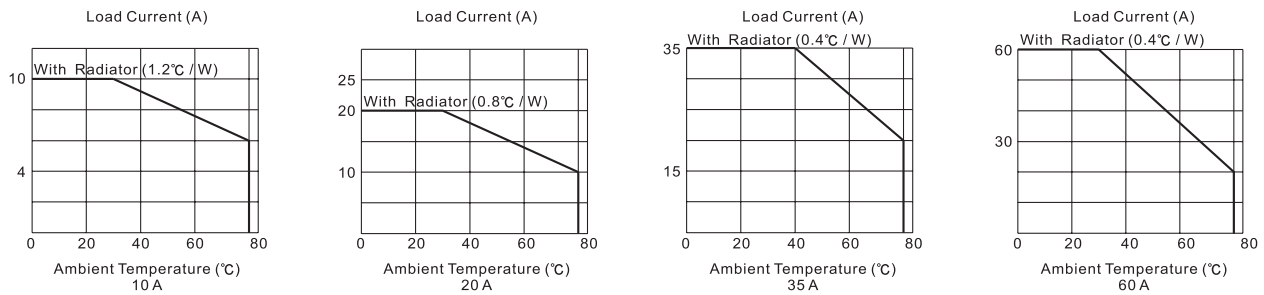
Output Load

Type No		10 A	20 A	35 A	60 A
Load Voltage Range (VDC)	0	50			
	2	220			- NIL -
	4	400			
Max. Rated Load Current		10 A	20 A	35 A	60 A
Max. Surge Current (100 ms)	0	50	60	80	120
	2	40	40	60	- NIL -
	4	40	80	120	160
Transient Overvoltage (Vp)	0	55	55	55	55
	2	400	500	500	- NIL -
	4	500	600	600	600
On - Resistance (Ω) OR Drop Voltage (V)	0	0.05 Ω	0.02 Ω	0.01 Ω	0.01 Ω
	2	0.1 Ω	0.1 Ω	0.1 Ω	- NIL -
	4	0.12 Ω	2 VDC	2 VDC	2 VDC
Max. Leakage Current		10 μ A			
Max. Turn - On Time		0.1 ms			
Max. Turn - Off Time		0.5 ms			

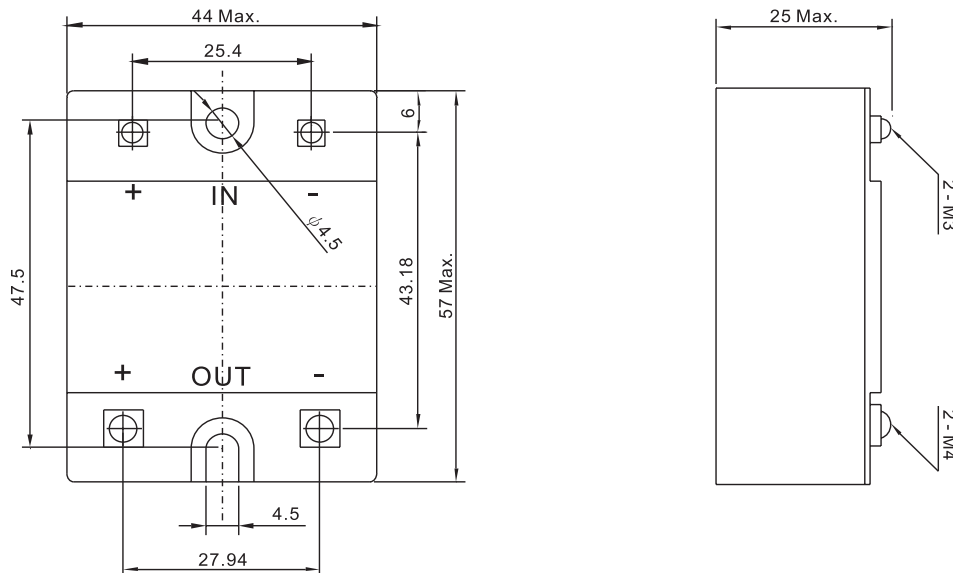
General Rating

Min. Insulation Resistance	1000 MΩ
Dielectric Strength	1000 VAC
Operating Temperature	-30°C ~ +80°C
Storage Temperature	-40°C ~ +100°C
Unit Weight	Approx 120g

Load Current Derating Curve



Dimensions (Unit: mm)



Safety Cover

