

## SDD SERIES SOLID STATE RELAY

**SDD-100A005S-1**  
**SDD-100A010S-1**  
**SDD-100A025S-1**  
**SDD-100A040S-1**  
**SDD-100A050S-1**  
**SDD-100A075S-1**

**DC Control DC Loading S.S.R**



## Specifications

MODEL SERIES NO.	CONTROL VOLTAGE	MUST TURN OFF VOLTAGE	INPUT IMPEDANCE	LOADING CURRENT	LOADING VOLTAGE	MIN BLOCKING VOLTAGE	MAX OFF-STATE LEAKAGE	FREQUENCY RANGE	MAX 1-CYCLE PEAK SURGE
SDD-100A005S-1	3 - 32 VDC	MAX 1.0 VDC	1.5 KΩ	5A	5 ~ 120VDC	140VDC	LESS 2 mA	47-70HZ	25A
SDD-100A010S-1	3 - 32 VDC	MAX 1.0 VDC	1.5 KΩ	10A	5 ~ 120VDC	140VDC	LESS 2 mA	47-70HZ	50A
SDD-100A025S-1	3 - 32 VDC	MAX 1.0 VDC	1.5 KΩ	25A	5 ~ 120VDC	140VDC	LESS 2 mA	47-70HZ	100A
SDD-100A040S-1	3 - 32 VDC	MAX 1.0 VDC	1.5 KΩ	40A	5 ~ 120VDC	140VDC	LESS 2 mA	47-70HZ	200A
SDD-100A050S-1	3 - 32 VDC	MAX 1.0 VDC	1.5 KΩ	50A	5 ~ 120VDC	140VDC	LESS 2 mA	47-70HZ	250A
SDD-100A075S-1	3 - 32 VDC	MAX 1.0 VDC	1.5 KΩ	75A	5 ~ 120VDC	140VDC	LESS 2 mA	47-70HZ	375A

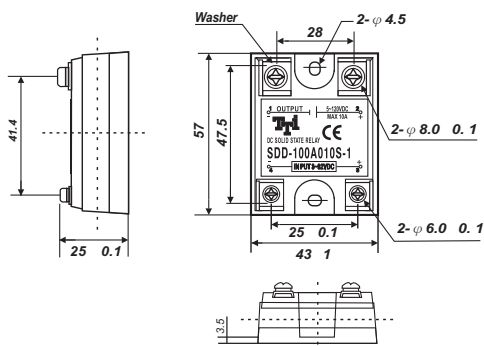
MODEL SERIES NO.	MAX OFF STATE dV/dt	MAX ON-STATE VOLTAGE DROP	ISOLATE IMPEDENCE	DIELECTRIC STRENGTH INPUT-OUTPUT	DIELECTRIC STRENGTH INPUT-OUTPUT-CASE	TURN ON TIME	TURN OFF TIME	CAPACITANCE IN-OUT	WEIGHT (g)
SDD-100A005S-1	100 V/μsec	2.0Vrms	10 <sup>9</sup> Ω	4000 VACrms	4000 VACrms	LESS 2 msec	LESS 2 msec	LESS 15 PF	100 g
SDD-100A010S-1	100 V/μsec	2.0Vrms	10 <sup>9</sup> Ω	4000 VACrms	4000 VACrms	LESS 2 msec	LESS 2 msec	LESS 15 PF	100 g
SDD-100A025S-1	100 V/μsec	2.0Vrms	10 <sup>9</sup> Ω	4000 VACrms	4000 VACrms	LESS 2 msec	LESS 2 msec	LESS 15 PF	100 g
SDD-100A040S-1	100 V/μsec	2.0Vrms	10 <sup>9</sup> Ω	4000 VACrms	4000 VACrms	LESS 2 msec	LESS 2 msec	LESS 15 PF	100 g
SDD-100A050S-1	100 V/μsec	2.0Vrms	10 <sup>9</sup> Ω	4000 VACrms	4000 VACrms	LESS 2 msec	LESS 2 msec	LESS 15 PF	100 g
SDD-100A075S-1	100 V/μsec	2.0Vrms	10 <sup>9</sup> Ω	4000 VACrms	4000 VACrms	LESS 2 msec	LESS 2 msec	LESS 15 PF	100 g

## Parts No.

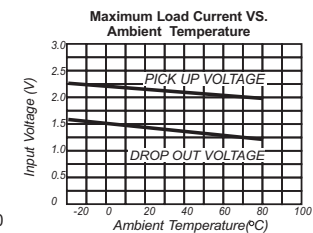
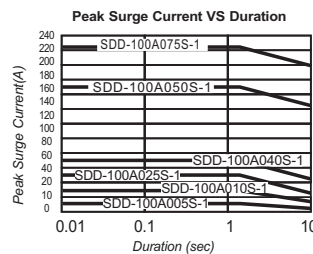
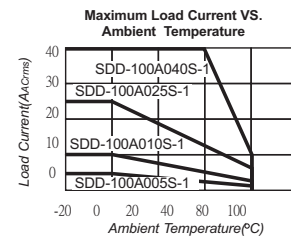
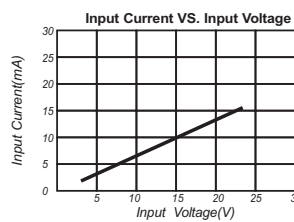
**SDD-100 A005 S-1**

- Packing : 1 = Screw Type
- Phase : S = Single Phase
- Loading Current : 005=5A, 010 = 10A, 025 = 25A, 040 = 40A, 050 = 50A, 075 = 75A
- Control Voltage : A = 3-32VDC
- Loading Voltage : 100 = 5~120VDC
- Control Type : DD = DC Control DC
- S = S.S.R

## Outline Dimensions(Unit : mm)



## Characteristic Curves



## Equivalent Circuit

