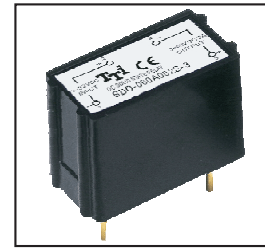


**SDD SERIES SOLID STATE RELAY**

**SDD-060A002S-3**  
**SDD-060A004S-3**

**DC Control DC Loading S.S.R**



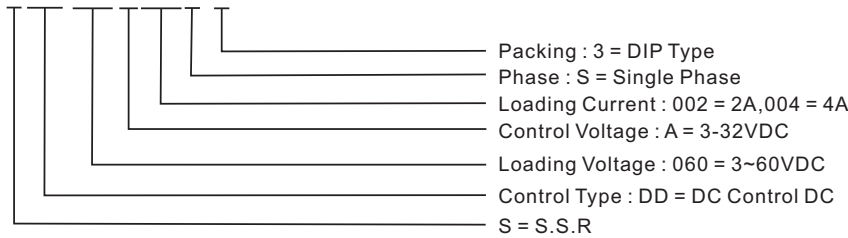
**Specifications**

MODEL SERIES NO.	CONTROL VOLTAGE	MUST TURN OFF VOLTAGE	INPUT IMPEDANCE	LOADING CURRENT	LOADING VOLTAGE	MIN BLOCKING VOLTAGE	MAX OFF-STATE LEAKAGE	FREQUENCY RANGE	MAX 1-CYCLE PEAK SURGE
SDD-060A002S-3	3-32 VDC	MAX 1.0 VDC	1.5 KΩ	2A	3- 60VDC	80VDC	LESS 2 mA	47-70HZ	3A
SDD-060A004S-3	3-32 VDC	MAX 1.0 VDC	1.5 KΩ	4A	3- 60VDC	80VDC	LESS 2 mA	47-70HZ	8.5A

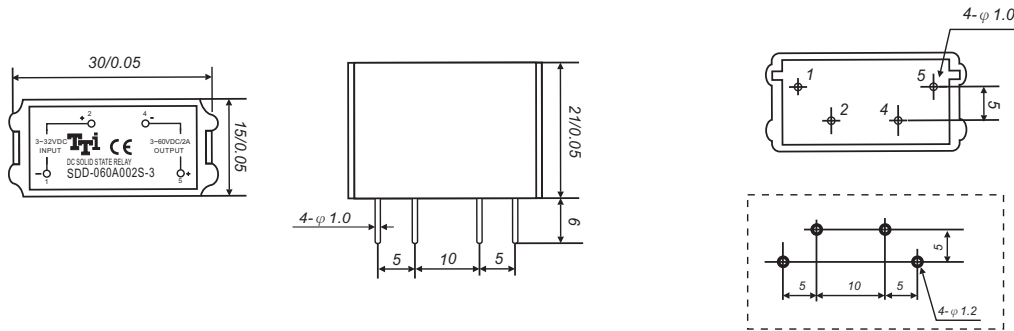
MODEL SERIES NO.	MAX OFF STATE dv/dt	MAX ON-STATE VOLTAGE DROP	ISOLATE IMPEDENCE	DIELECTRIC STRENGTH INPUT-OUTPUT	DIELECTRIC STRENGTH INPUT-OUTPUT-CASE	TURN ON TIME	TURN OFF TIME	CAPACITANCE IN-OUT	WEIGHT (g)
SDD-060A002S-3	200 V/μsec	1.2Vrms	10 <sup>9</sup> Ω	2500 VACrms	—	LESS 2 msec	LESS 2 msec	LESS 15 PF	15 g
SDD-060A004S-3	200 V/μsec	1.2Vrms	10 <sup>9</sup> Ω	2500 VACrms	—	LESS 2 msec	LESS 2 msec	LESS 15 PF	15 g

**Parts No.**

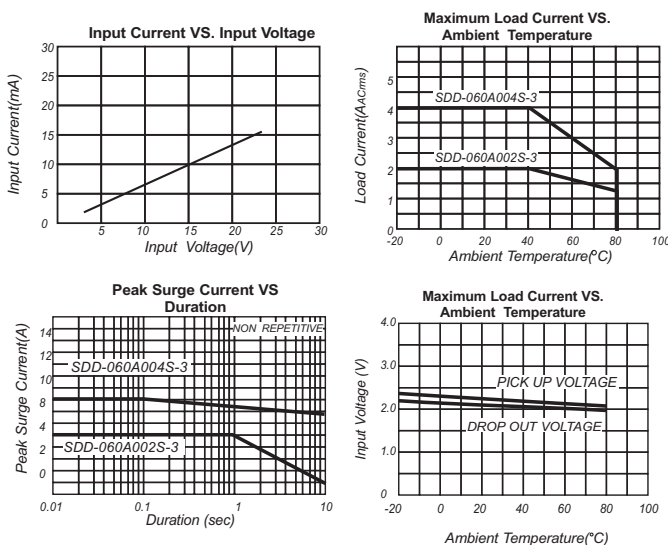
**SDD-060A002S-3**



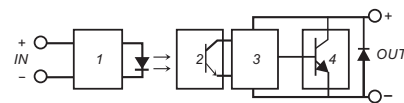
**Outline Dimensions(Unit : mm)**



**Characteristic Curves**



**Equivalent Circuit**



- 1. Input Circuit
- 2. Photo Detector
- 3. Amplifier
- 4. Protected Circuit