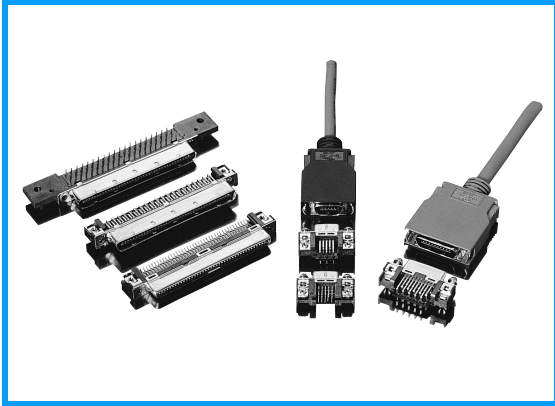


## 1.27mm Centerline Lowprofile Connectors Interface and Board to Board Shielded Connectors



### FEATURE

- Lowprofile, 3mm thinner than DHA style connectors
- Space saving 1.27mm centerline
- High-reliable, scoop-proof cantilever contact design
- “D”-shape shell polarization to eliminate connector mis-mating
- Closed contact cantilever design for ESD protection
- Stamped metal shell for EMI suppression

E  
DHF

### SPECIFICATION

Voltage rating	250V AC (rms)
Current rating	0.5A/contact
Dielectric withstanding voltage	500V AC (rms) for 1 minute
Insulation resistance	500M $\Omega$ min. at 500V DC
Contact resistance	35m $\Omega$ max.
Applicable cable	AWG#28 Insulator O.D. : 0.58

### MATERIAL/FINISH

Contact	Copper alloy/Gold over Nickel plating
Shell	Brass/Nickel plating
Insulator	LCP or PA resin (UL94V-0)
Inner-shell	Steel/Nickel plating
Hood	ABS resin (UL94V-0)
Locator	PBT or LCP resin (UL94V-0)

## INTERFACE CONNECTORS

Unit : mm

### ■ Plug (with Hood)

## DHF-PDA 10-3-A01

**CONNECTOR STYLE**

DA: Cable connecting (Discrete IDC)

**NO. OF CONTACTS**

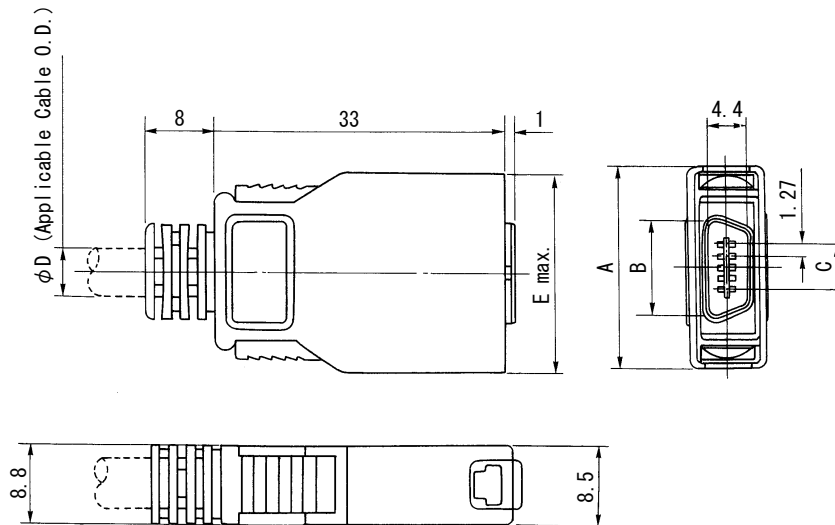
10, 20

**HOOD COLOR**

0: Black

**CONTACT PLATING**

1: 0.76  $\mu$ m Gold over Nickel  
 2: 0.25  $\mu$ m Gold over Nickel  
 3: Gold Flash over Nickel  
 Tail... Solder plating



NO. OF CONTACTS	A	B	C	D	E
10	22.75	10.80	5.08	5.0	23.75
20	29.10	17.15	11.43	5.8	30.10

### Cable Assembly Tool

**Component Tool P/N**

357J-12224: Cable wiring and cable cutting tool

357J-12198: Final termination tool

357J-12199: Cable clamp body tool

357J-12228-1: Cable clamp tool dice for DHF-PDA10

367J-12228-2: Cable clamp tool dice for DHF-PDA20

## Receptacle

### Right Angle Type

## DHF-RAA10-131NB

NO. OF CONTACTS: 10, 20

#### MOUNTING STYLE

1: M2 × 0.4 tapped ground tab

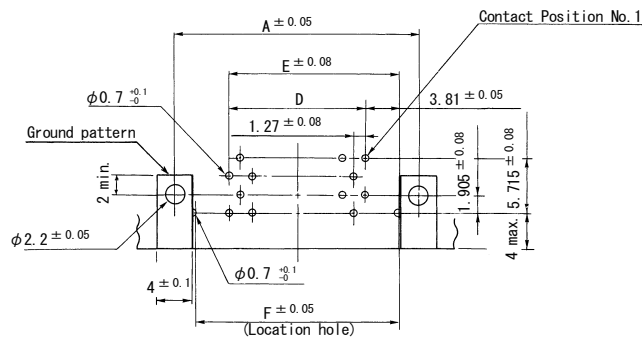
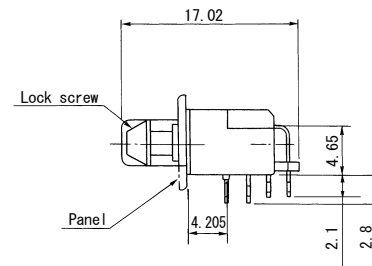
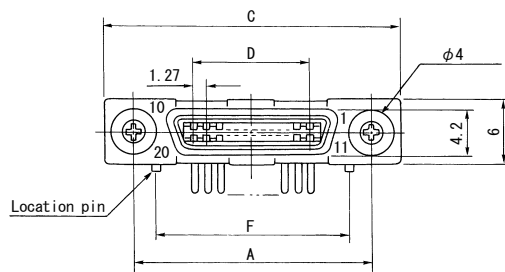
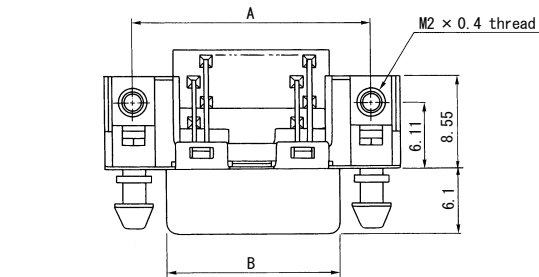
#### CONTACT PLATING

1: 0.76 μm Gold over Nickel

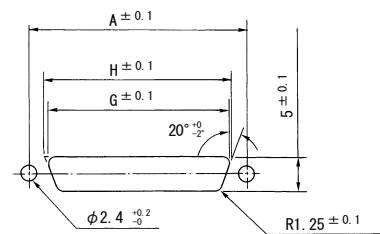
3: Gold Flash over Nickel

Tail...Solder plating

E  
DHF



PCB mounting dimensions  
(connector-mount side)  
PCB thickness:  $0.9 \pm 0.2$



Panel cut-out dimensions  
Panel thickness:  $0.7 \pm 0.15$

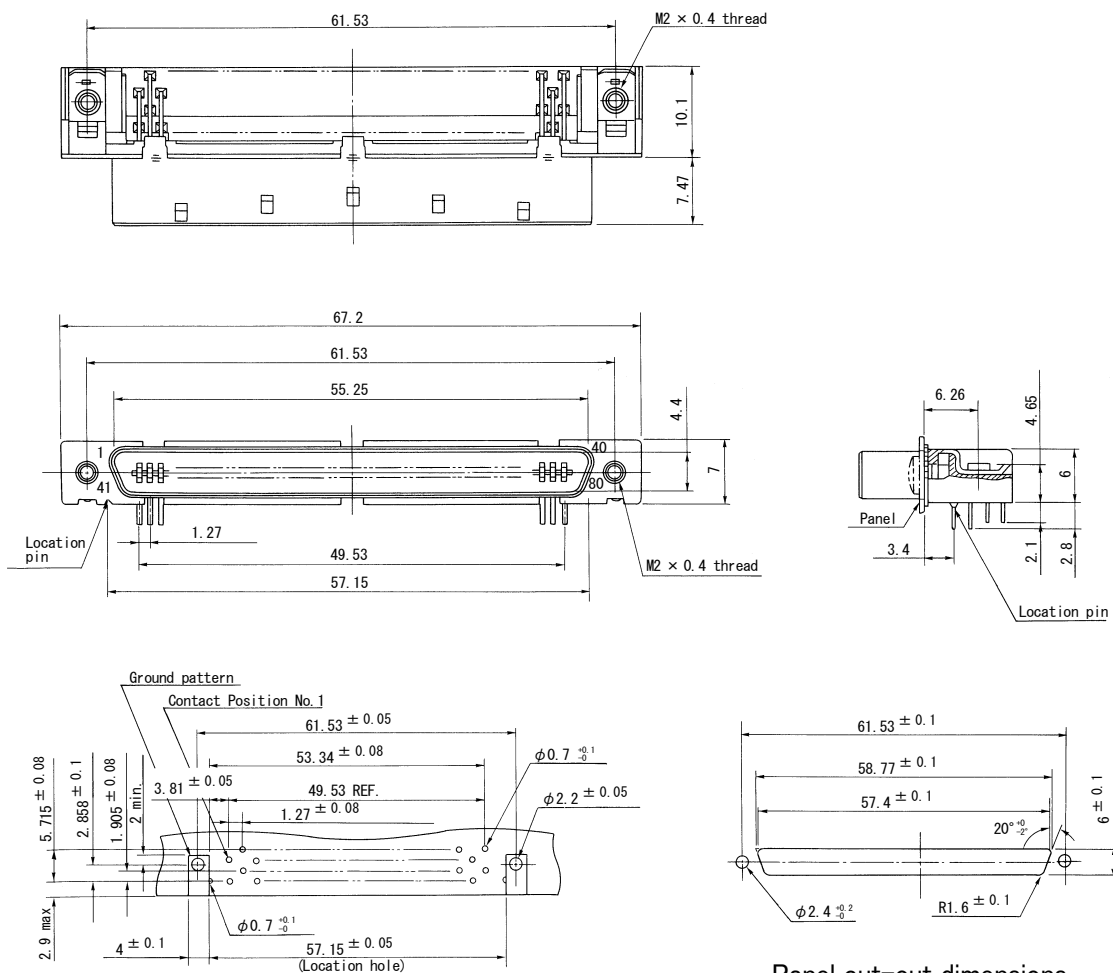
NO. OF CONTACTS	A	B	C	D	E	F	G	H
10	17.08	10.50	22.75	5.08	8.89	12.70	11.60	12.67
20	23.43	16.85	29.10	11.43	15.24	19.05	17.95	19.02

### ■ Plug-Right Angle Type

## DHF-PAB80-131NN

NO. OF CONTACTS: 80

**CONTACT PLATING**  
 1: 0.76  $\mu$ m Gold over Nickel  
 3: Gold Flash over Nickel  
 Tail... Solder plating



**PCB mounting dimensions**  
 (connector-mount side)  
 PCB thickness: 0.9 ± 0.2

**Panel cut-out dimensions**  
 Panel thickness: 0.7 ± 0.15

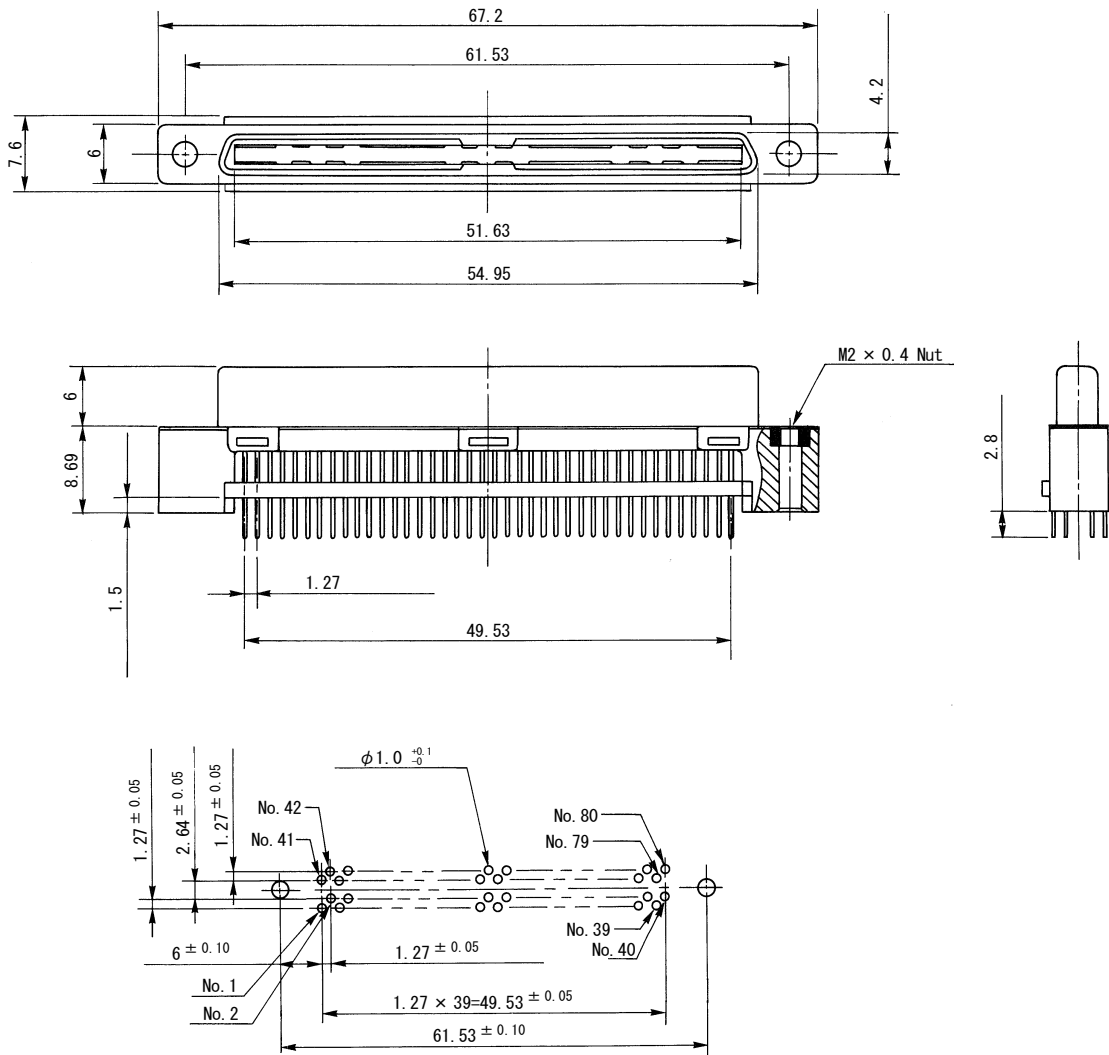
## Receptacle-Straight Type

### DHF-RBA80-211

NO. OF CONTACTS: 80

CONTACT PLATING

1: 0.76  $\mu$ m Gold over Nickel  
Tail...Solder plating



E  
DHF

PCB mounting dimensions  
(connector mount side)  
PCB thickness: 1.6 $\pm$ 0.19