

DC Mini-Motors M20E-1 Series

DC Mini-Motors

Applications

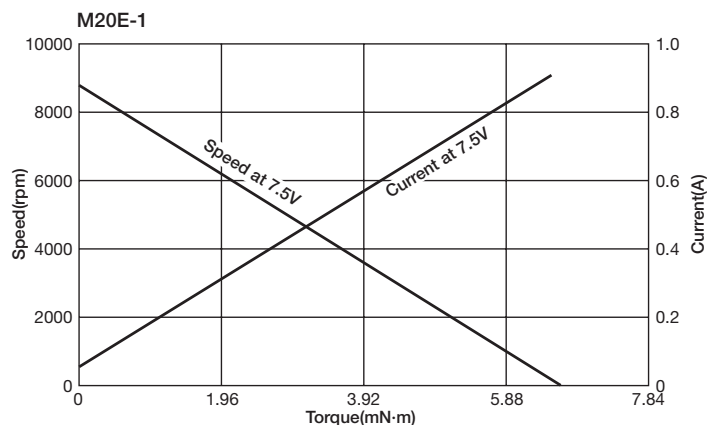
1. CD Player
2. Power-assist/Power-assistance

SPECIFICATIONS

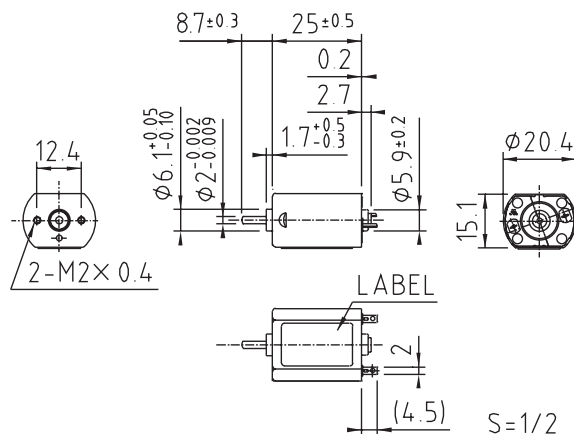
Items	SPEC-NO	R14 1526
Rated Voltage (V)		7.5
Voltage Range (V)		6.0~8.5
Rated Load (mN·m)		2.45
No Load Speed (rpm)		8850
No Load Current (mA)		43
Starting Torque (mN·m)		6.55
Rotation		CW/CCW



CHARACTERISTICS



DIMENSIONS



Unit : mm