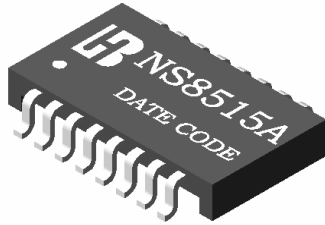


10/100 PC CARD LAN MAGNETICS SOLUTIONS

P/N: NS8515A DATA SHEET

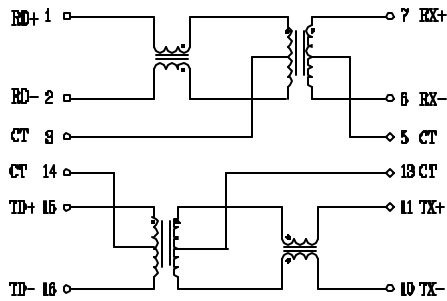
Feature



- Half port and single port designs for maximum layout flexibility .
- Low profile packages from 0.094 Inch(2.39mm) to 0.078Inch(1.98mm) for PC card and Cardbus applications .
- Compatible package with Intel, TDK, QSI, AND ICS transformer .
- Operating Temperature range: 0°C to +70°C.
- Storage temperature range: -25°C to +125°C.

Electrical Specifications @ 25°C							
Part Number	Turns Ratio (±3%)		Primary OCL (uH Min) @ 100KHz/0.2Vrms	Leakage Inductance (iH Max)	Cw/w (pF Max)	HI-POT (Vrms)	Rise Time (nS Typ)
	TX	RX					
NS8515A	1CT:1CT	1CT:1CT	350	0.4	15	800	2.5
Continue							
Part Number	Insertion Loss (dB Max)		Return Loss (dB Min)			Cross talk (dB Min)	DCMR TX/RX(dB Min)
	0.3-100 MHz	0.3-30MHz	40MHz	50MHz	60-80MHz		
NS8515A	-1.1	-18	-15.5	-13.5	-10	-38	-30

Schematic



Mechanical

