

CEFA201 Thru CEFA203

Reverse Voltage: 50 - 400 Volts
Forward Current: 2.0 Amp

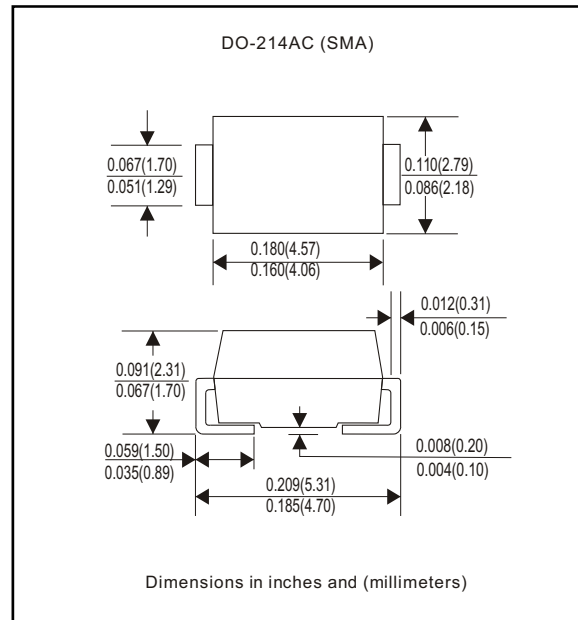


Features

- Ideal for surface mount applications
- Easy pick and place
- Plastic package has Underwriters Lab. flammability classification 94V-0
- Super fast recovery time for high efficient
- Built-in strain relief
- Low forward voltage drop

Mechanical Data

- Case: JEDEC DO-214AC molded plastic
- Terminals: solderable per MIL-STD-750, method 2026
- Polarity: Color band denotes cathode end
- Mounting position: Any
- Approx. Weight: 0.063 gram



Maximum Ratings and Electrical Characteristics

Parameter	Symbol	CEFA 201	CEFA 202	CEFA 203	Unit
Max. Repetitive Peak Reverse Voltage	V _{RRM}	50	100	200	V
Max. DC Blocking Voltage	V _{DC}	50	100	200	V
Max. RMS Voltage	V _{RMS}	35	70	140	V
Peak Surge Forward Current 8.3ms single halfsine-wave superimposed on rate load (JEDEC method)	I _{FSM}	50			A
Max. Average Forward Current	I _O	2.0			A
Max. Instantaneous Forward Current at 1.0 A	V _F	0.92			V
Reverse recovery time	T _{rr}	25			nS
Max. DC Reverse Current at Rated DC Blocking Voltage T _a =25°C T _a =100°C	I _R	5.0 250			uA
Max. Thermal Resistance (Note 1)	R _{θJL}	20			°C/W
Operating Junction Temperature	T _j	-55 to +150			°C
Storage Temperature	T _{STG}	-55 to +150			°C

Note 1: Thermal resistance from junction to lead P.C.B. Mounted on 8.0x8.0 mm copper pad areas.

Rating and Characteristic Curves (CEFA201 Thru CEFA203)

Fig. 1 - Reverse Characteristics

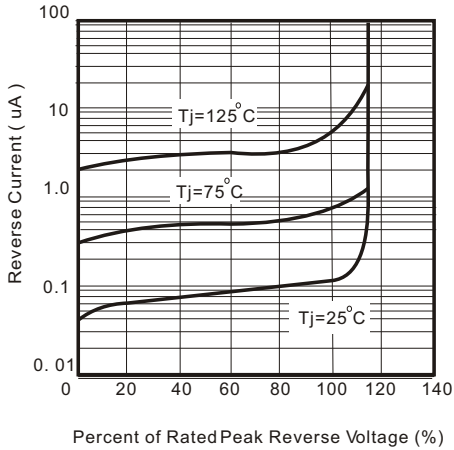


Fig. 2 - Forward Characteristics

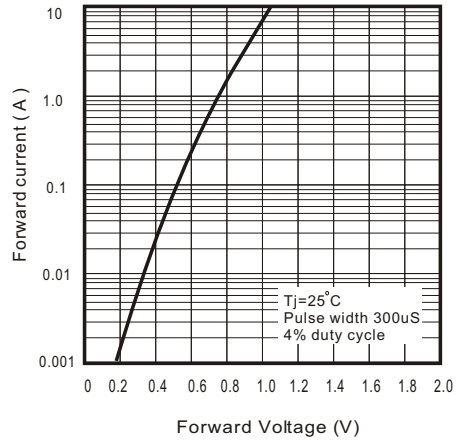


Fig. 3 - Current Derating Curve

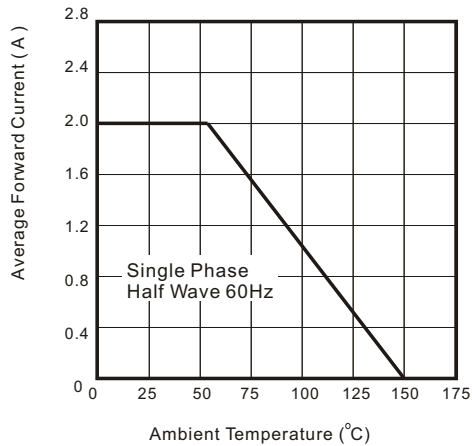


Fig. 4 - Non Repetitive Forward Surge Current

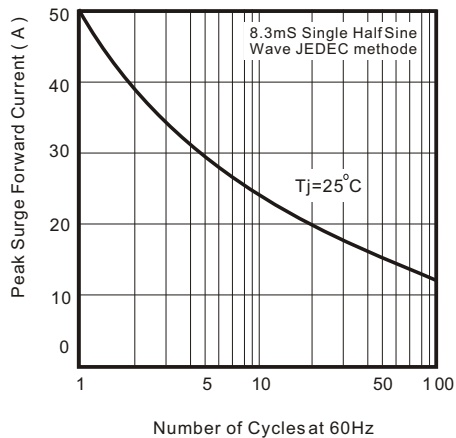
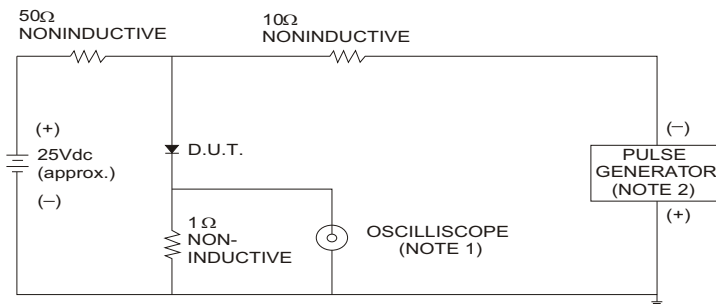


Fig. 5 - Test Circuit Diagram and Reverse Recovery Time Characteristics



NOTES: 1. Rise Time= 7ns max., Input Impedance= 1 megohm.22pF.

2. Rise Time= 10ns max., Source Impedance= 50 ohms.

