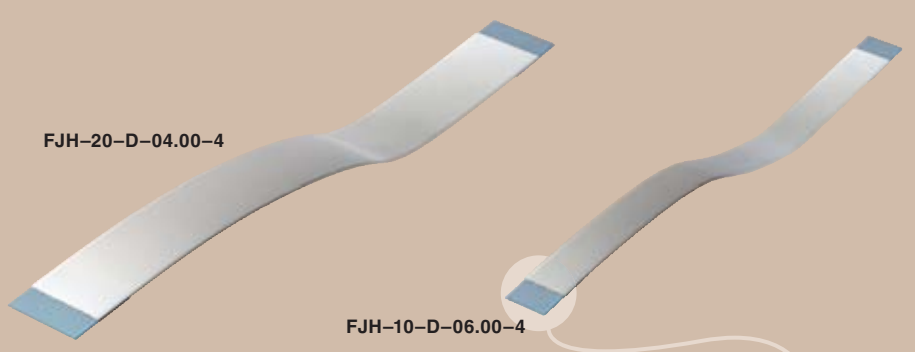


(0,50mm) .0197"

FJH SERIES



FLAT FLEXIBLE CABLE (FFC) JUMPER

SPECIFICATIONS

For complete specifications see www.samtec.com?FJH

Conductor:
Tin Plated Copper



Conductor Resistance:
1000 Ω/km max

Insulation Resistance:
10 MΩ/km min
(conductor-to-conductor)

Dielectric Test:
400 VAC during 1 minute
(conductor-to-conductor)

Temperature Rating:
-30°C to +80°C

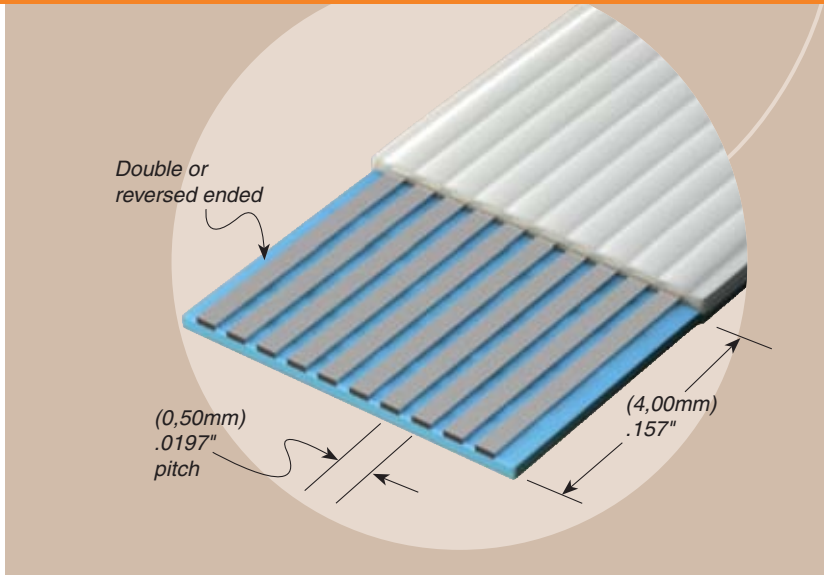
Voltage Rating:
60 VAC

Flame Resistance:
VW-1 (UL 758)

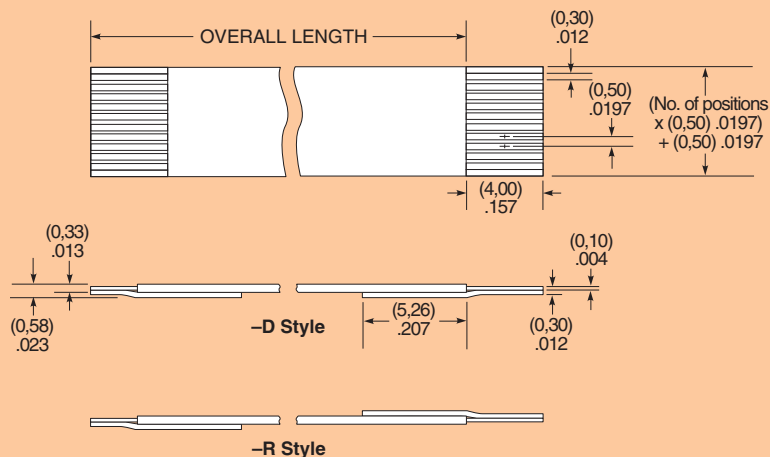
Current Rating:
1.4A @ 50°C ambient
(4 contacts powered)

RoHS Compliant:
Yes

Mates with:
ZF5, ZLR5



FJH	NO. OF POSITIONS	STYLE	OVERALL LENGTH	STRIP LENGTH
	-10, -15, -20, -25, -30, -40, -43, -50	-D = Double End -R = Reversed End	- "XX.XX" = Specify OVERALL LENGTH in inches (±1/8 inch) (-D & -R = (50,80mm) 2.00" minimum) (-S = (63,50mm) 2.50" minimum)	-4 = (4,00mm) .157"



Note: Stiffener color will be blue or black at Samtec's discretion.

Note: Some sizes, styles and options are non-standard, non-returnable.

Due to technical progress, all designs, specifications and components are subject to change without notice.

WWW.SAMTEC.COM