



UH277

LINEAR INTEGRATED CIRCUIT

COMPLEMENTARY OUTPUTS HALL EFFECT LATCH IC

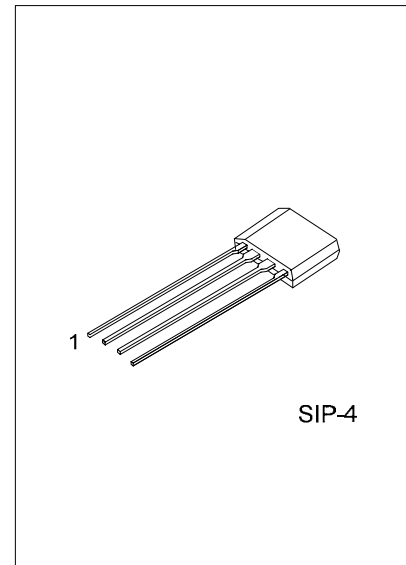
DESCRIPTION

The UTC **UH277** is a Latch-Type Hall Effect sensor with built-in complementary output drivers. It's designed with internal temperature compensation circuit and built-in protection diode prevent reverse power fault. The application is aimed for brush-less DC Fan

The UH277 Outputs operate as the Hysteresis Characteristics. The Outputs alternately ON and OFF when either the magnetic flux density larger than threshold B_{OP} or the magnetic flux density lower than B_{RP} .

FEATURES

- * Widen Power Supply range from 3V ~ 20V.
- * On-chip Hall sensor with excellent hysteresis.
- * Open Collector outputs had the sinking capability up to 300mA.
- * Output Clamping Diodes reduce the peak output voltages during switching.
- * Build-in reverse protection diode.



*Pb-free plating product number: UH277L

ORDERING INFORMATION

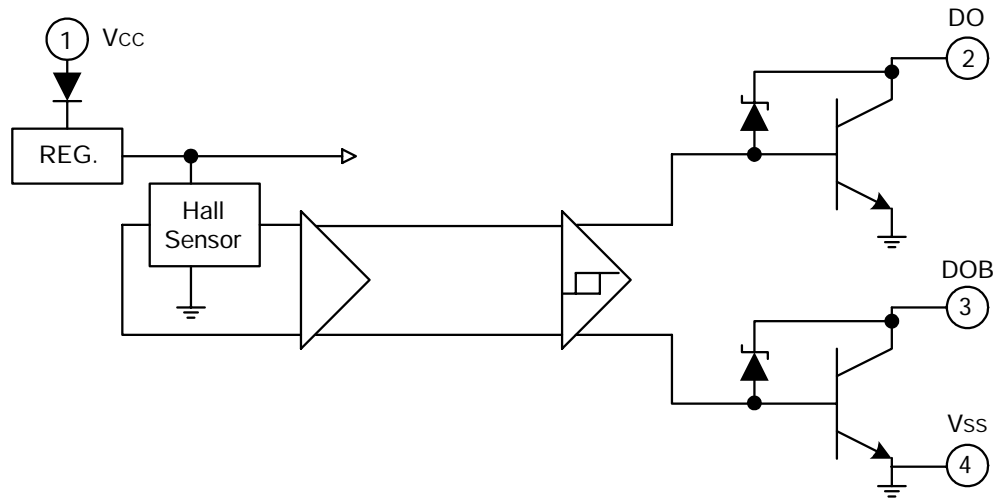
Ordering Number		Package	Packing
Normal	Lead Free Plating		
UH277-G04-K	UH277L-G04-K	SIP-4	Bulk

<p>UH277L-G04-K</p> <p>(1)Packing Type (2)Package Type (3)Lead Plating</p>	<p>(1) B: Bulk (2) G04: SIP-4 (3) L: Lead Free Plating, Blank: Pb/Sn</p>
--	--

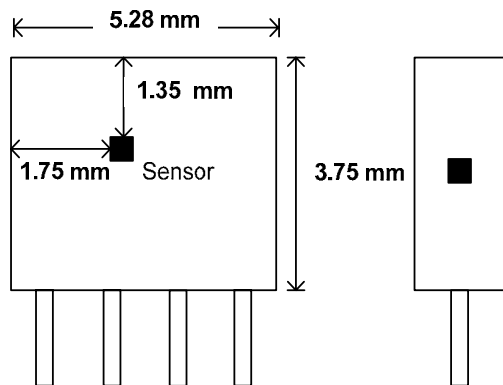
PIN DESCRIPTION

PIN NO.	PIN NAME	P/I/O	DESCRIPTION
1	V _{CC}	P	Positive Power Supply
2	DO	O	Output Pin
3	DOB	O	Output Pin
4	V _{SS}	P	Ground

■ BLOCK DIAGRAM



■ SENSOR LOCATIONS



■ ABSOLUTE MAXIMUM RATINGS (Ta=25)

PARAMETER		SYMBOL	RATINGS	UNIT
Supply Voltage		V_{CC}	20	V
Reverse V_{CC} Polarity Voltage		V_{RCC}	-25	V
Output OFF Voltage		V_{CE}	32	V
Magnetic flux density		B	Unlimited	
Output ON Current	Continuous	I_C	0.3	A
	Hold		0.4	
	Peak (Start Up)		0.7	
Power Dissipation		P_D	500	mW
Junction Temperature		T_J	+150	
Operating Temperature		T_{OPR}	-20 ~ +85	
Storage Temperature		T_{STG}	-65 ~ +150	

Note 1: Output Zener protection voltage

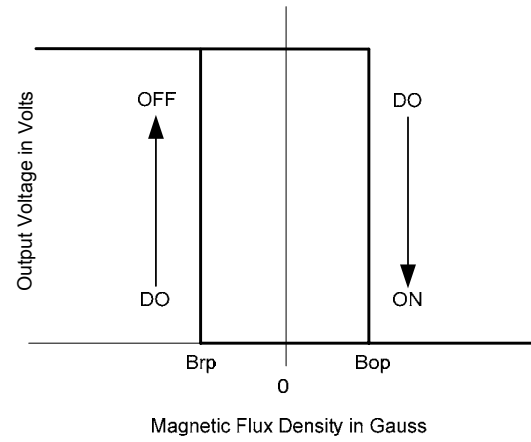
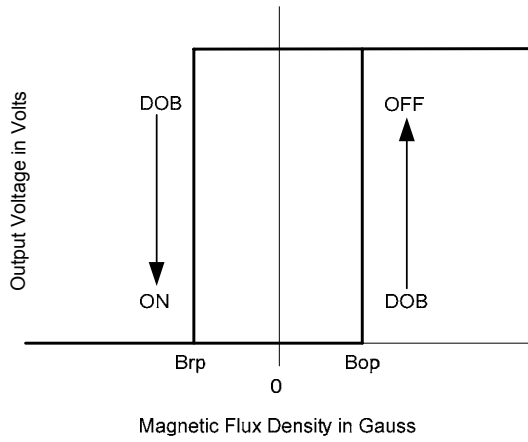
■ ELECTRICAL CHARACTERISTICS (Ta =25 , unless otherwise specified)

PARAMETER	SYMBOL	TEST CONDITIONS	MIN	TYP	MAX	UNIT
Low Supply Voltage	V_{CE}	$V_{CC}=3.5V, I_L=100mA$			0.6	V
Supply Voltage	V_{CC}		3		20	V
Output Saturation Voltage	$V_{CE(SAT)}$	$V_{CC}=14V, I_L=300mA$		0.3	0.6	V
Output Leakage Current	I_{CEX}	$V_{CE}=14V, V_{CC}=14V$		<0.1	10	μA
Supply Current	I_{CC}	$V_{CC}=20V, \text{Output Open}$		15	25	mA
Output Rise Time	t_R	$V_{CC}=14V, R_L=820\Omega, C_L=20pF$		0.3	3	μS
Output Falling Time	t_F	$V_{CC}=14V, R_L=820\Omega, C_L=20pF$		0.04	1	μS
Switch Time Differential	Δt	$V_{CC}=14V, R_L=820\Omega, C_L=20pF$		0.3	3	μS

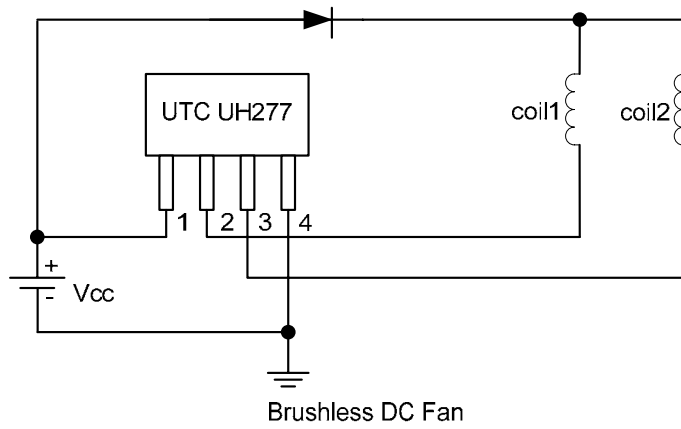
■ MAGNETIC CHARACTERISTICS

PARAMETR	SYMBOL	MIN	TYP	MAX	UNIT
Operate Point	B_{OP}	5		70	G
Release Point	B_{RP}	-5		-70	G
Hysteresis	B_{HYS}	20		140	G

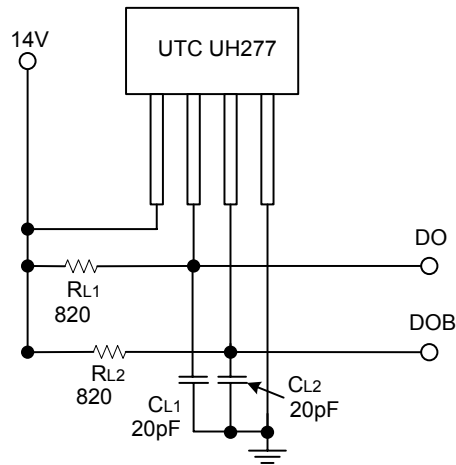
■ HYSTERESIS CHARACTERISTICS



■ TYPICAL APPLICATION CIRCUIT

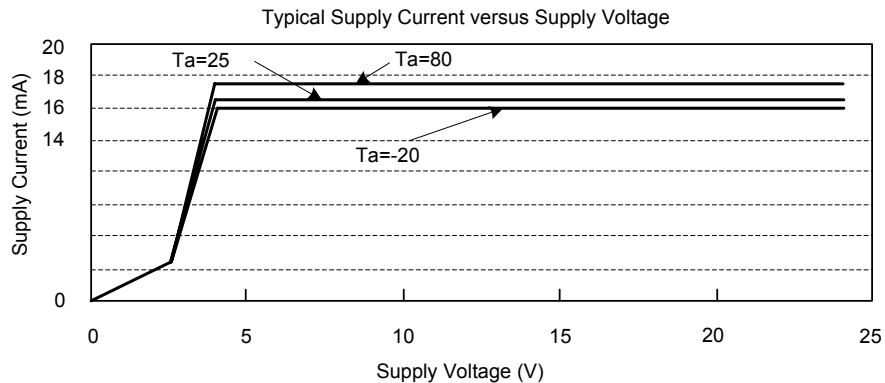
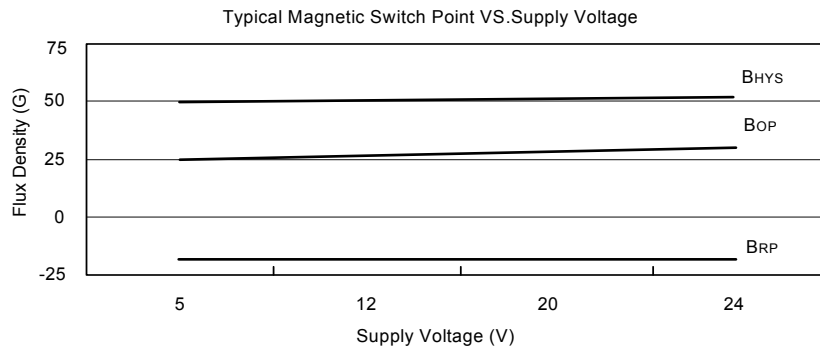
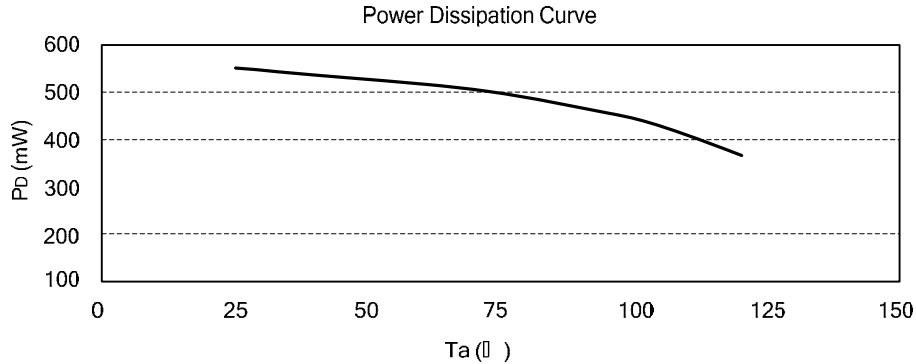


■ TEST CIRCUIT



■ PERFORMANCE CHARACTERISTICS

Ta()	25	50	60	70	80	85	90	95	100	105	110	115	120
P _D (mW)	550	525	515	505	485	475	465	455	445	425	405	385	365



UTC assumes no responsibility for equipment failures that result from using products at values that exceed, even momentarily, rated values (such as maximum ratings, operating condition ranges, or other parameters) listed in products specifications of any and all UTC products described or contained herein. UTC products are not designed for use in life support appliances, devices or systems where malfunction of these products can be reasonably expected to result in personal injury. Reproduction in whole or in part is prohibited without the prior written consent of the copyright owner. The information presented in this document does not form part of any quotation or contract, is believed to be accurate and reliable and may be changed without notice.