

TPC-660E

5.7" VGA TFT LCD Geode™ LX800 Touch Panel Computer



Features

- AMD Geode™ LX800 processor on board
- 5.7" TFT LCD
- Super slim and compact design with plastic housing
- Fanless cooling system
- NEMA4/IP65 compliant front panel
- One CompactFlash® slot
- Automatic data flow control RS-485
- Supports Microsoft® Windows XP/XPe/CE

Introduction

The TPC-660E models are compact platforms without redundant functions, which have been designed for small-sized operator interface applications. The integration of a fanless kernel, touchscreen and non-volatile storage makes this machine a reliable solution for industrial environments. The 8-bit PC-104 expansion slot provides a dependable and convenient way to add-on functions. Common PC-104 cards for a variety of applications can fit in the TPC-660E.

Specifications

General

- **BIOS** Award® 4 MB
- **Certifications** BSMI, CCC, CE, FCC, UL
- **Cooling System** Fanless design
- **Dimensions (W x H x D)** 195 x 148 x 44.4 mm (7.68" x 5.83" x 1.75")
- **Enclosure** ABS and ABS + PC
- **Mounting** Panel
- **OS Support** Windows XP/XPe/CE*
- **Power Consumption** 24.5 W (typical)
- **Power Input** 18 ~ 32 V_{DC}
- **Watchdog Timer** Programmable as 250 ms, 500 ms, 1 second
- **Weight (Net)** 0.8 kg (1.76 lb)

System Hardware

- **CPU** AMD LX800 500 MHz
- **Chipset** LX800 + CS5536
- **Memory** 256 MB SO-DIMM DDR SDRAM, Up to 1 GB
- **LAN** 10/100Base-T x 1
- **Expansion Slots** PC/104 x 1
- **Storage** CompactFlash® slot x 1
2.5" PATA HDD x 1 (Extension kit optional)
- **I/O** RS-232 x 1 (COM1)
RS-232/422/485 x 1 (COM2) with auto data flow control

LCD Display

- **Display Type** VGA TFT LCD
- **Display Size** 5.7"
- **Max. Resolution** 640 x 480
- **Max. Colors** 262 K
- **Luminance cd/m²** 220
- **Viewing Angle (H/V°)** 140/100
- **Backlight Life** 50,000 hrs
- **Contrast Ratio** 300 : 1

Touchscreen

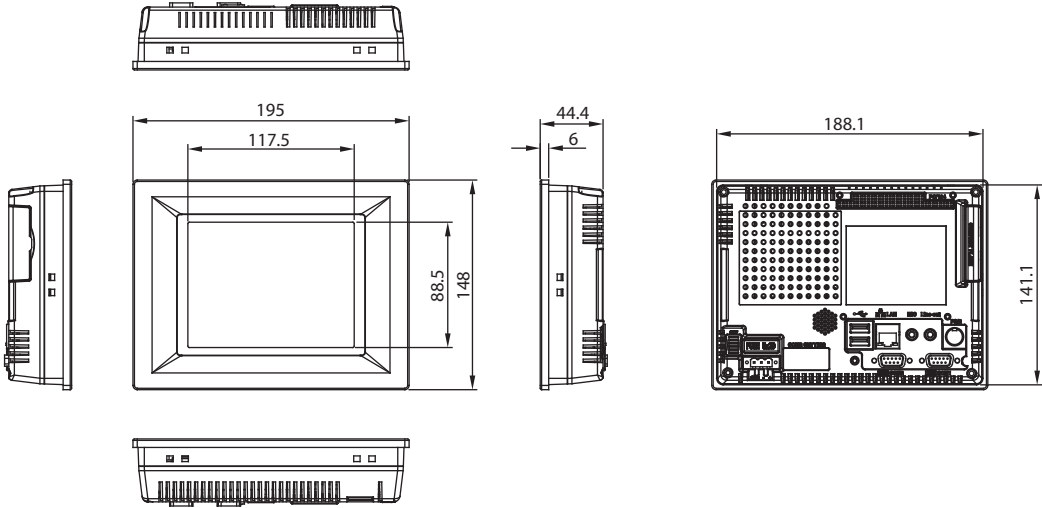
- **Lifespan** 10 millions times with a silicone rubber of 8 mm diameter finger
- **Light Transmission** Above 75%
- **Resolution** Linearity
- **Type** 4-wire, analog resistive

Environment

- **Humidity** 10 ~ 95% RH @ 40° C, non-condensing
- **Ingress Protection** Front panel: NEMA4, IP65
- **Operating Temperature** 0 ~ 50° C (32 ~ 122° F)
- **Storage Temperature** -20 ~ 60° C (-4 ~ 140° F)
- **Vibration Protection** 1 Grms (5 ~ 500 Hz)
(Operating, random vibration)

Dimensions

Unit: mm

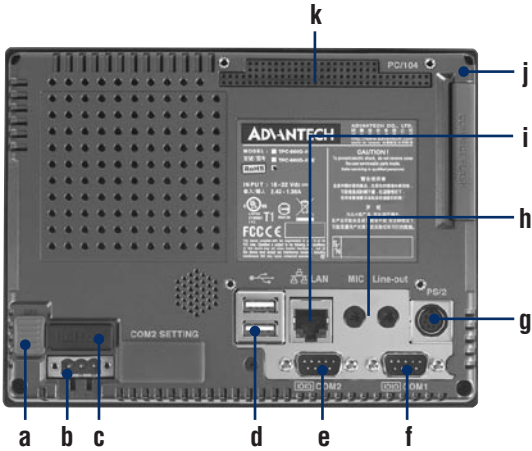


Panel Cut-out Dimensions: 189.1 x 142.1 mm

Ordering Information

- **TPC-660E-B1E** 5.7" VGA Touch Panel PC, LX800 500 MHz, 256 MB
- **TPC-660G-EHKE** TPC-660 Extension HDD Kit
- **PWR-247-AE** 24 V 50 W AC-DC Power Adapter

Rear View



- a. Power Switch
- b. Power Receptor
- c. Fuse (3.15A)
- d. USB 2.0
- e. COM (RS-232/422/485)
- f. COM (RS-232)
- g. PS/2
- h. Audio (MIC, Line-out)
- i. LAN (10/100)
- j. CompactFlash
- k. PC/104

* Windows XPe supports 10 languages with MUI. (English, Traditional Chinese, Simplified Chinese, French, German, Spanish, Russian, Italian, Japanese and Korean)