

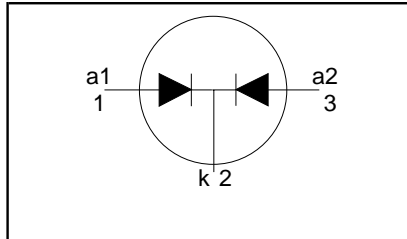
Rectifier diodes ultrafast, rugged

BYQ28E, BYQ28EB, BYQ28ED series

FEATURES

- Low forward volt drop
- Fast switching
- Soft recovery characteristic
- Reverse surge capability
- High thermal cycling performance
- Low thermal resistance

SYMBOL



QUICK REFERENCE DATA

$$V_R = 150 \text{ V} / 200 \text{ V}$$

$$V_F \leq 0.895 \text{ V}$$

$$I_{O(AV)} = 10 \text{ A}$$

$$I_{RRM} = 0.2 \text{ A}$$

$$t_{tr} \leq 25 \text{ ns}$$

GENERAL DESCRIPTION

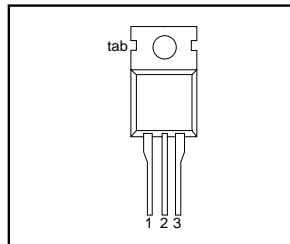
Dual, ultra-fast, epitaxial rectifier diodes intended for use as output rectifiers in high frequency switched mode power supplies.

The BYQ28E series is supplied in the SOT78 conventional leaded package.
The BYQ28EB series is supplied in the SOT404 surface mounting package.
The BYQ28ED series is supplied in the SOT428 surface mounting package.

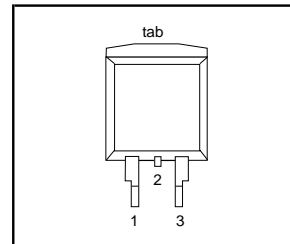
PINNING

| PIN | DESCRIPTION |
|-----|----------------------|
| 1 | anode 1 |
| 2 | cathode ¹ |
| 3 | anode 2 |
| tab | cathode |

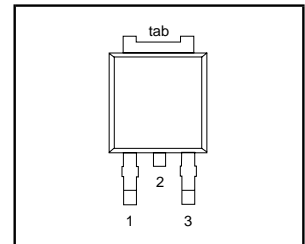
SOT78 (TO220AB)



SOT404



SOT428



LIMITING VALUES

Limiting values in accordance with the Absolute Maximum System (IEC 134)

| SYMBOL | PARAMETER | CONDITIONS | MIN. | | MAX. | | UNIT |
|-------------|---|--|------|------|------|------------------|------|
| | | | | | | | |
| V_{RRM} | Peak repetitive reverse voltage | BYQ28E/ BYQ28EB/ BYQ28ED | - | -150 | -200 | V | |
| | | | | 150 | 200 | | |
| | | | | 150 | 200 | | |
| V_{RWM} | Working peak reverse voltage | | - | 150 | 200 | V | |
| V_R | Continuous reverse voltage | | - | 150 | 200 | V | |
| $I_{O(AV)}$ | Average rectified output current (both diodes conducting) | square wave; $\delta = 0.5$; $T_{mb} \leq 119 \text{ }^\circ\text{C}$ | - | 10 | | A | |
| I_{FRM} | Repetitive peak forward current per diode | square wave; $\delta = 0.5$; $T_{mb} \leq 119 \text{ }^\circ\text{C}$ | - | 10 | | A | |
| I_{FSM} | Non-repetitive peak forward current per diode | $t = 10 \text{ ms}$ | - | 50 | | A | |
| | | $t = 8.3 \text{ ms}$ | - | 55 | | A | |
| I_{RRM} | Peak repetitive reverse surge current per diode | sinusoidal; with reapplied $V_{RRM(max)}$ $t_p = 2 \text{ } \mu\text{s}$; $\delta = 0.001$ | - | 0.2 | | A | |
| I_{RSM} | Peak non-repetitive reverse surge current per diode | $t_p = 100 \text{ } \mu\text{s}$ | - | 0.2 | | A | |
| T_j | Operating junction temperature | | - | 150 | | $^\circ\text{C}$ | |
| T_{stg} | Storage temperature | | -40 | 150 | | $^\circ\text{C}$ | |

1. It is not possible to make connection to pin 2 of the SOT428 or SOT404 packages.

**Rectifier diodes
ultrafast, rugged**
BYQ28E, BYQ28EB, BYQ28ED series
ESD LIMITING VALUE

| SYMBOL | PARAMETER | CONDITIONS | MIN. | MAX. | UNIT |
|--------|---|---|------|------|------|
| V_C | Electrostatic discharge capacitor voltage | Human body model; $C = 250 \text{ pF}$; $R = 1.5 \text{ k}\Omega$ | - | 8 | kV |

THERMAL RESISTANCES

| SYMBOL | PARAMETER | CONDITIONS | MIN. | TYP. | MAX. | UNIT |
|----------------|--|---|------|----------|------|------------|
| $R_{th\ j-mb}$ | Thermal resistance junction to mounting base | per diode both diodes | - | - | 4.5 | K/W |
| $R_{th\ j-a}$ | Thermal resistance junction to ambient | SOT78 package, in free air SOT404 and SOT428 packages, pcb mounted, minimum footprint, FR4 board | - | 60 50 | - | K/W K/W |

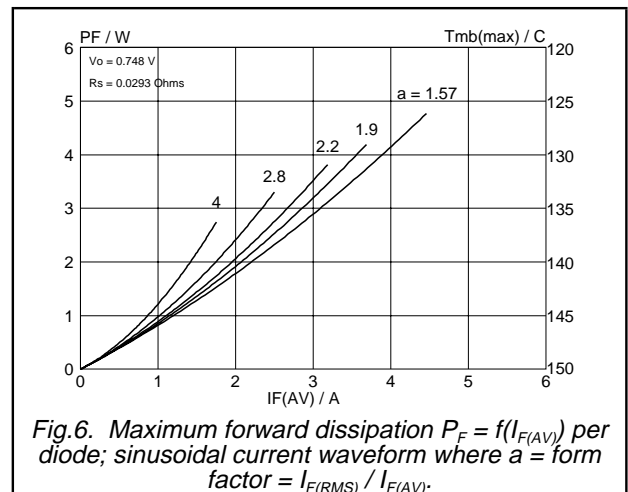
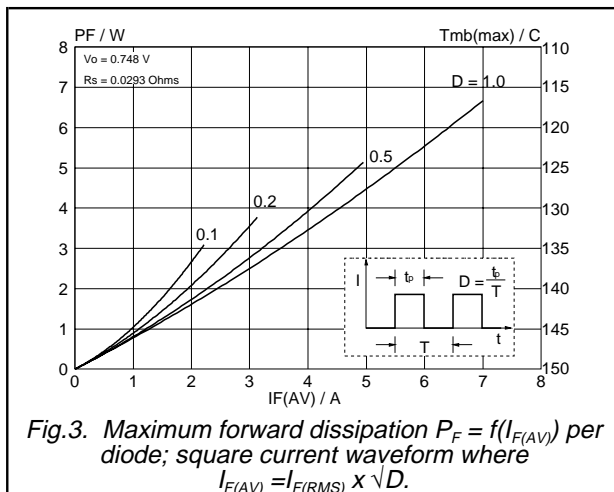
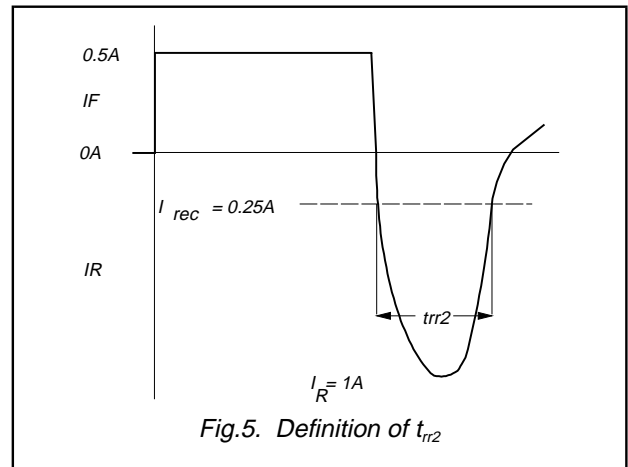
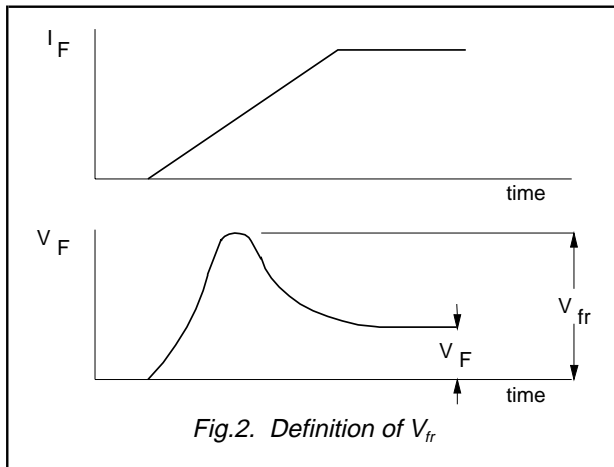
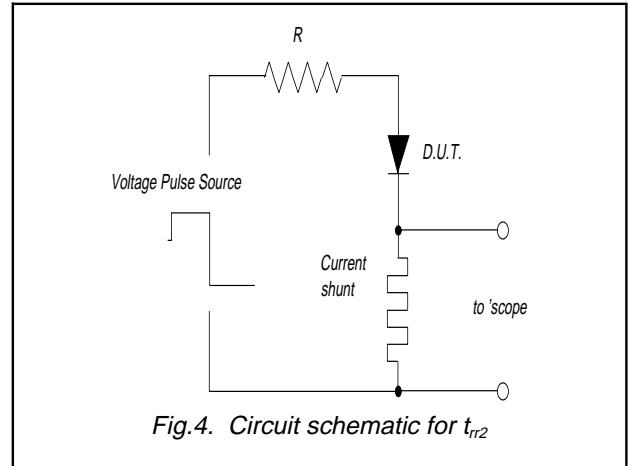
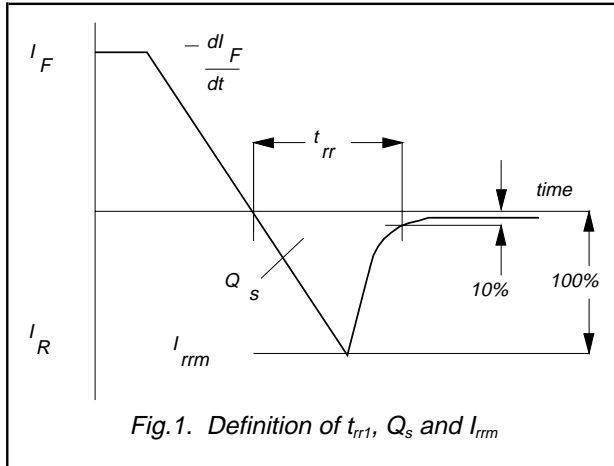
ELECTRICAL CHARACTERISTICS

All characteristics are per diode at $T_j = 25^\circ\text{C}$ unless otherwise specified

| SYMBOL | PARAMETER | CONDITIONS | MIN. | TYP. | MAX. | UNIT |
|-----------|-------------------------------|--|------|------|-------|---------------|
| V_F | Forward voltage | $I_F = 5 \text{ A}$; $T_j = 150^\circ\text{C}$ | - | 0.8 | 0.895 | V |
| | | $I_F = 5 \text{ A}$ | - | 0.95 | 1.1 | V |
| | | $I_F = 10 \text{ A}$ | - | 1.1 | 1.25 | V |
| I_R | Reverse current | $V_R = V_{RWM}$ | - | 2 | 10 | μA |
| | | $V_R = V_{RWM}$; $T_j = 100^\circ\text{C}$ | - | 0.1 | 0.2 | mA |
| Q_{rr} | Reverse recovered charge | $I_F = 2 \text{ A}$; $V_R \geq 30 \text{ V}$; $-di_F/dt = 20 \text{ A}/\mu\text{s}$ | - | 4 | 9 | nC |
| t_{rr1} | Reverse recovery time | $I_F = 1 \text{ A}$; $V_R \geq 30 \text{ V}$; $-di_F/dt = 100 \text{ A}/\mu\text{s}$ | - | 15 | 25 | ns |
| t_{rr2} | Reverse recovery time | $I_F = 0.5 \text{ A}$ to $I_R = 1 \text{ A}$; $I_{rec} = 0.25 \text{ A}$ | - | 10 | 20 | ns |
| I_{rrm} | Peak reverse recovery current | $I_F = 5 \text{ A}$; $V_R \geq 30 \text{ V}$; $-di_F/dt = 50 \text{ A}/\mu\text{s}$ | - | 0.5 | 0.7 | A |
| V_{fr} | Forward recovery voltage | $I_F = 1 \text{ A}$; $di_F/dt = 10 \text{ A}/\mu\text{s}$ | - | 1 | - | V |

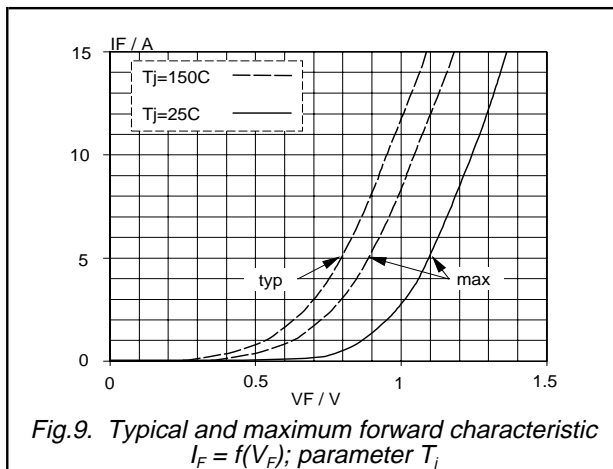
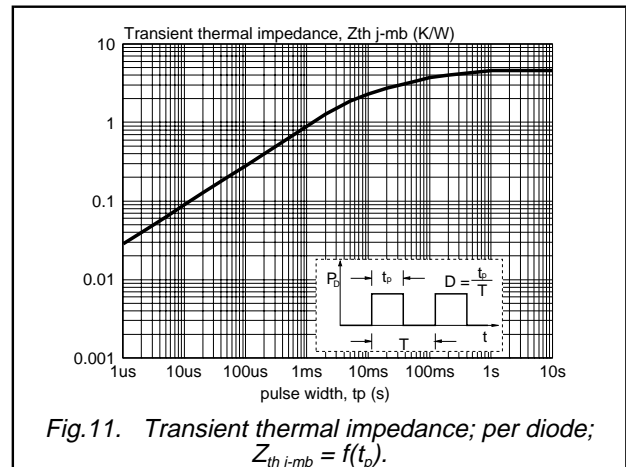
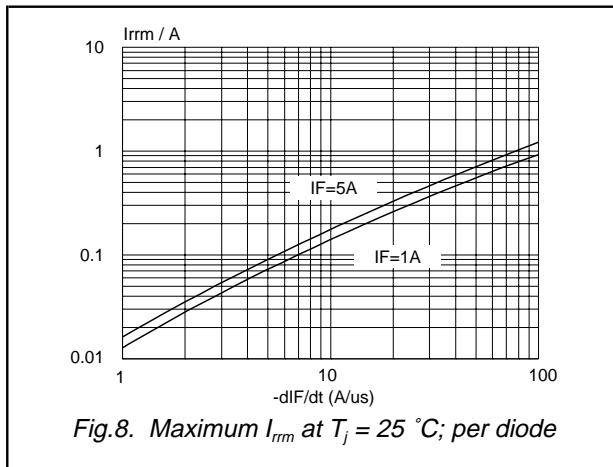
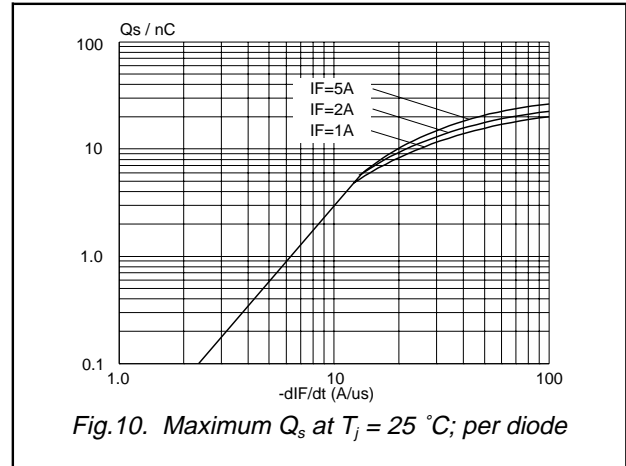
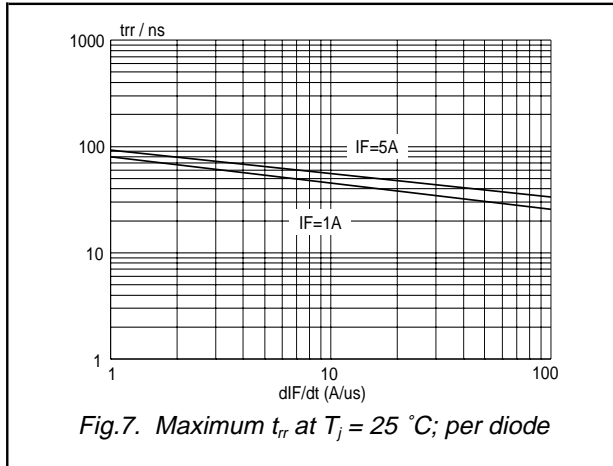
Rectifier diodes
ultrafast, rugged

BYQ28E, BYQ28EB, BYQ28ED series



Rectifier diodes
ultrafast, rugged

BYQ28E, BYQ28EB, BYQ28ED series



Rectifier diodes
ultrafast, rugged

BYQ28E, BYQ28EB, BYQ28ED series

MECHANICAL DATA

Dimensions in mm

Net Mass: 2 g

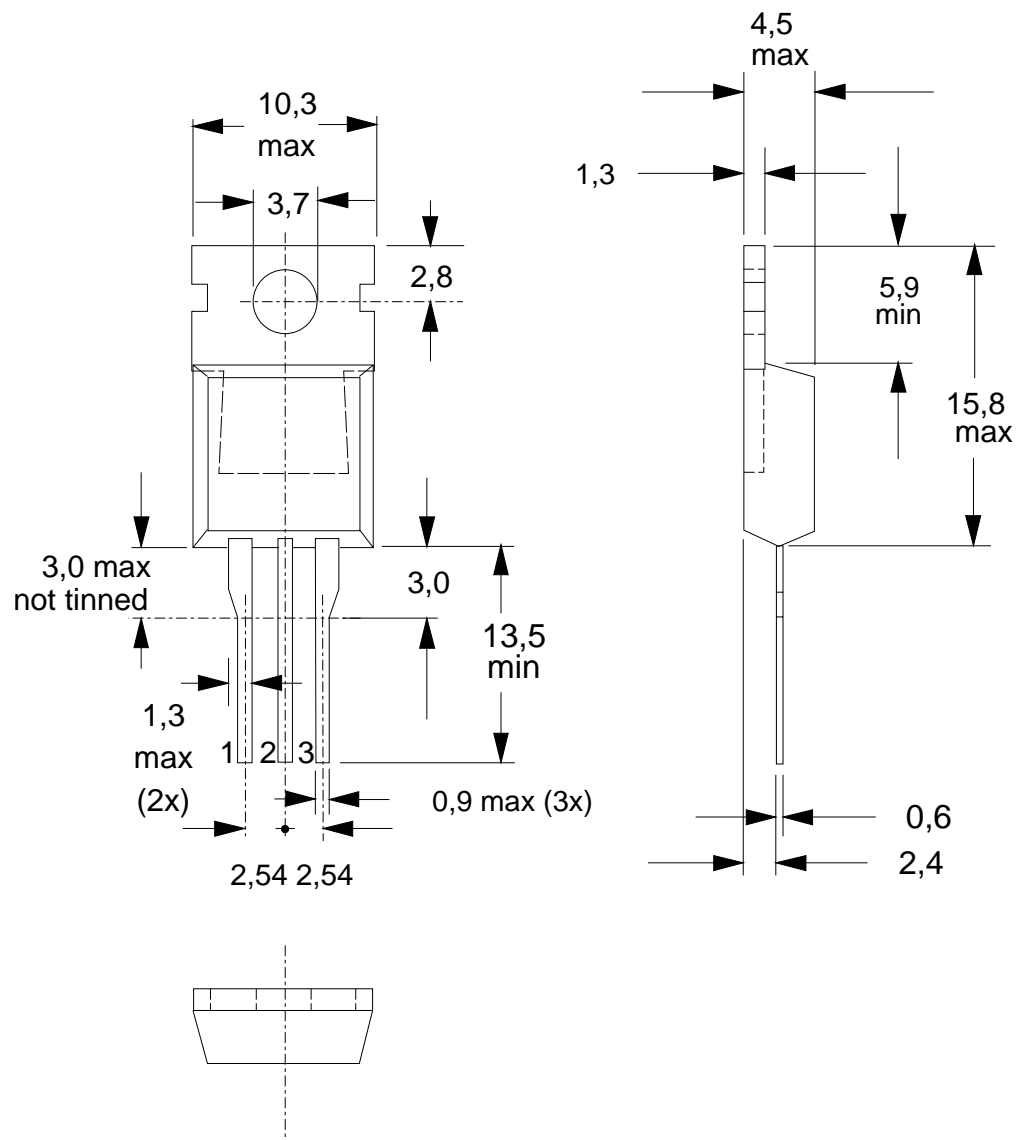


Fig.12. SOT78 (TO220AB); pin 2 connected to mounting base.

Notes

1. Refer to mounting instructions for SOT78 (TO220) envelopes.
2. Epoxy meets UL94 V0 at 1/8".

Rectifier diodes
ultrafast, rugged

BYQ28E, BYQ28EB, BYQ28ED series

MECHANICAL DATA

Dimensions in mm

Net Mass: 1.4 g

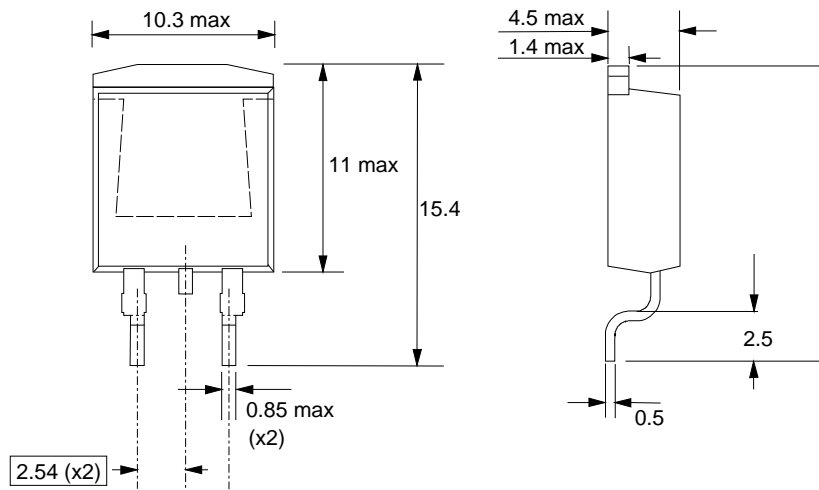


Fig.13. SOT404 : centre pin connected to mounting base.

MOUNTING INSTRUCTIONS

Dimensions in mm

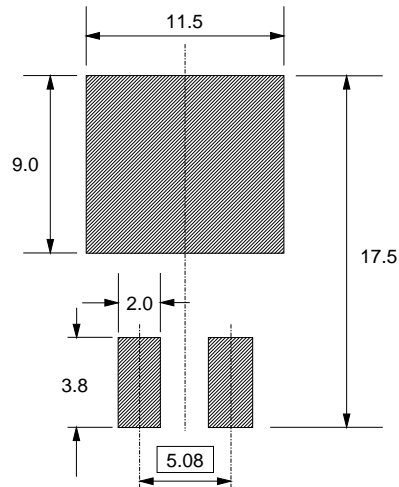


Fig.14. SOT404 : soldering pattern for surface mounting.

Notes

1. Epoxy meets UL94 V0 at 1/8".

Rectifier diodes
ultrafast, rugged

BYQ28E, BYQ28EB, BYQ28ED series

MECHANICAL DATA

Dimensions in mm

Net Mass: 1.1 g

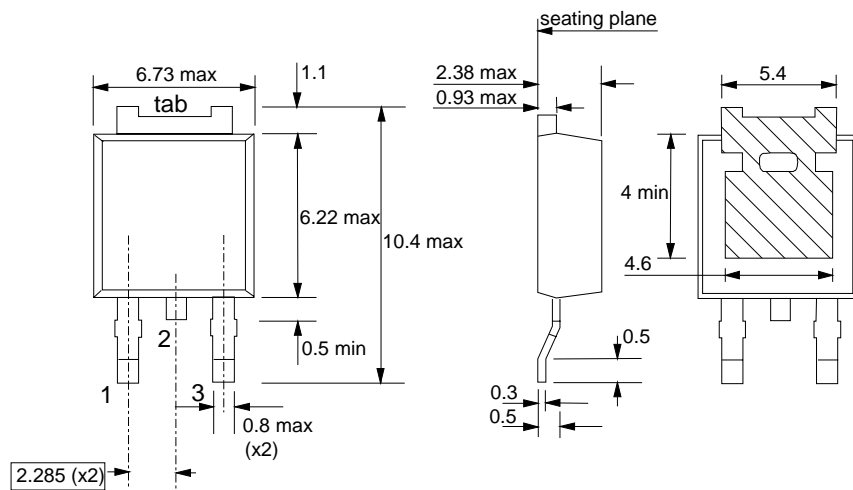


Fig.15. SOT428 : centre pin connected to tab.

MOUNTING INSTRUCTIONS

Dimensions in mm

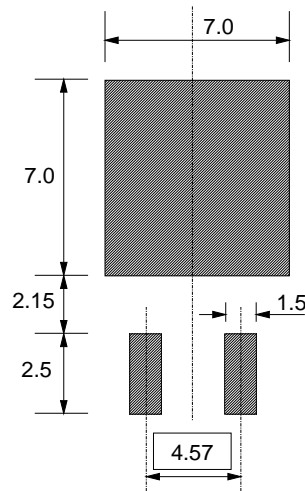


Fig.16. SOT428 : minimum pad sizes for surface mounting.

Notes

1. Plastic meets UL94 V0 at 1/8".

Rectifier diodes
ultrafast, rugged

BYQ28E, BYQ28EB, BYQ28ED series

DEFINITIONS

| | |
|--|---|
| Data sheet status | |
| Objective specification | This data sheet contains target or goal specifications for product development. |
| Preliminary specification | This data sheet contains preliminary data; supplementary data may be published later. |
| Product specification | This data sheet contains final product specifications. |
| Limiting values | |
| Limiting values are given in accordance with the Absolute Maximum Rating System (IEC 134). Stress above one or more of the limiting values may cause permanent damage to the device. These are stress ratings only and operation of the device at these or at any other conditions above those given in the Characteristics sections of this specification is not implied. Exposure to limiting values for extended periods may affect device reliability. | |
| Application information | |
| Where application information is given, it is advisory and does not form part of the specification. | |
| © Philips Electronics N.V. 1998 | |
| All rights are reserved. Reproduction in whole or in part is prohibited without the prior written consent of the copyright owner. | |
| The information presented in this document does not form part of any quotation or contract, it is believed to be accurate and reliable and may be changed without notice. No liability will be accepted by the publisher for any consequence of its use. Publication thereof does not convey nor imply any license under patent or other industrial or intellectual property rights. | |

LIFE SUPPORT APPLICATIONS

These products are not designed for use in life support appliances, devices or systems where malfunction of these products can be reasonably expected to result in personal injury. Philips customers using or selling these products for use in such applications do so at their own risk and agree to fully indemnify Philips for any damages resulting from such improper use or sale.