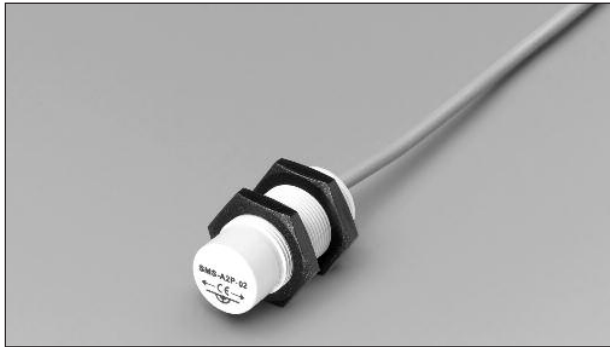


# Safety magnetic sensors

## Cylindrical safety magnetic sensors

### SMSA2P30, SMSA3P30



- Safety Category 3 according to EN 954-1
- 2 NO outputs
- Cable output connection
- Cylindrical housing
- Multiple flux coding

### Product Description

The SMSAXP30 series is designed in conformity with EN 292-1, EN 292-2, EN 60204-1, EN 954-1 and EN 1088. It is characterised by multiple flux coding and is suited for applications up to safety Category 3.

### Ordering Key

**SMS A2 P 30**

Safety magnetic sensor \_\_\_\_\_  
 Diameter \_\_\_\_\_  
 Housing material \_\_\_\_\_  
 Contact type \_\_\_\_\_

### Type Selection

Output	Operating distance	Safety category	Item code	Item code (UL)
2 NO	16 mm	3	SMSA2P30	SMS 2P AN 02M
2 NO	16 mm	3	SMSA3P30	SMS 3P AS 02M

### Output Specifications

<b>Output</b>	Category 3 (EN 954-1) 2 NO
<b>Output connection</b>	Cable (PVC, AWG 26, L=2m 4x0,15 mm <sup>2</sup> )
<b>Contact ratings</b>	100 VAC 0,25 A 5 VA
Max switching voltage	100 VAC
Max switching current	0,25 A
Max switching power	5 VA

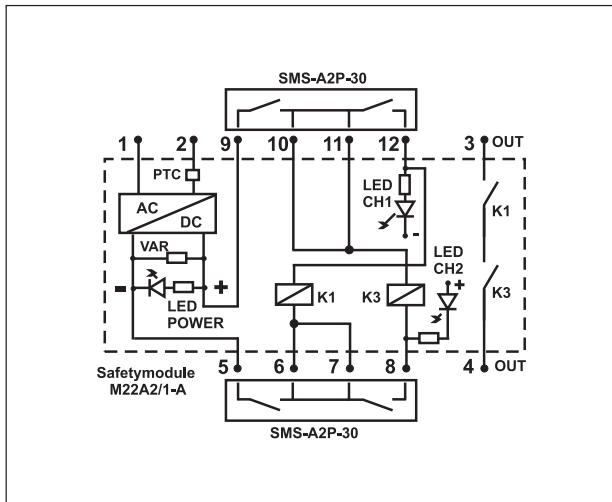
### General Specifications

<b>Operating distance ON</b>	20 ± 3 mm
<b>Release distance OFF</b>	22 ± 5 mm
<b>Reset distance</b>	22 ± 5 mm
<b>Suitable magnetic unit</b>	CLSA2 CLSA3
SMSA2P30	
SMSA3P30	
<b>Misalignment</b>	max ± 4 mm
<b>Housing</b>	
Dimensions	M18x1 M30x1.5
SMSA2P30	
SMSA3P30	
Material	Plastic
<b>Weight</b>	Approx. 70 g
<b>Environment</b>	
Degree of protection	IP 67
Operating temperature	-25 ÷ +70 °C
Storage temperature	-25 ÷ +70 °C

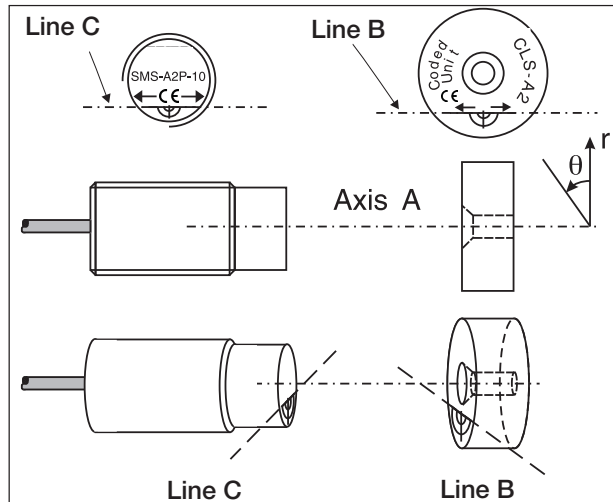
Safety Magnetic Sensors



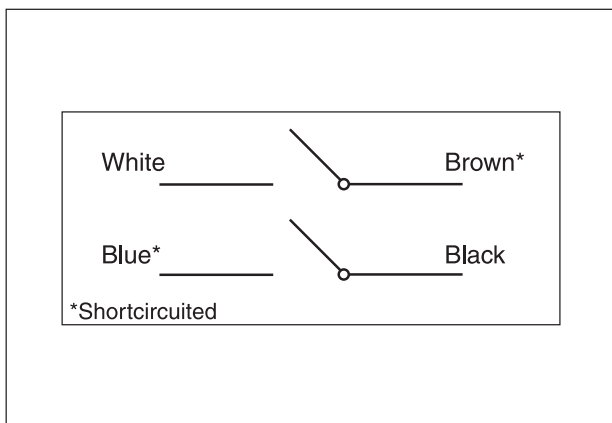
### Application



### Operating Directions



### Wiring Diagrams



### Dimensions

