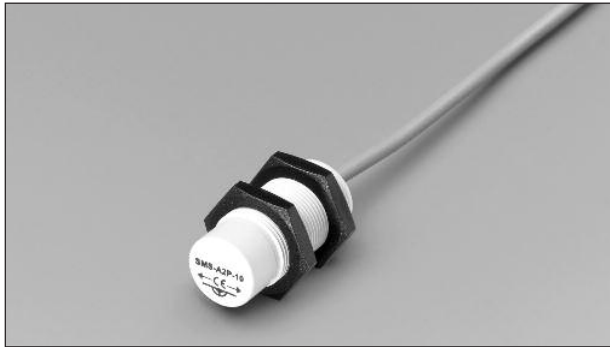


Safety Magnetic Sensors

Cylindrical safety magnetic sensors

SMSA2P10



- Safety Category 3 according to EN 954-1
- 1 NO output
- Cable output connection
- Cylindrical housing
- Multiple flux coding

Product Description

The SMS-A2P-10 is designed in conformity with EN 292-1, EN 292-2, EN 60204-1, EN 954-1 and EN

1088. It is characterized by multiple flux coding and is suited for applications up safety Category 3.

Ordering Key

SMS A2 P 10

Safety magnetic sensor _____
 Diameter _____
 Case material _____
 Contact type _____

Type Selection

Output	Operating distance	Safety category	Item code	Item code (UL)
1 NO	16 mm	3	SMS A2 P 10	SMS 2P AM 02M

Output Specifications

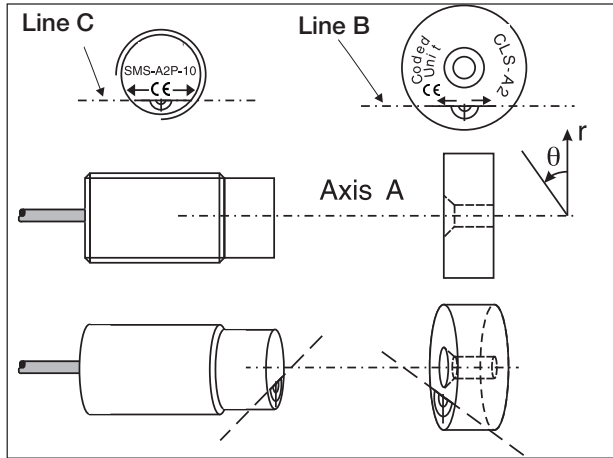
Output	Category 3 (EN 954-1) 1 NO
Output connection	Cable (PVC, AWG 26, L=2m 4x0,15 mm ²)
Contact ratings	
Max switching voltage	100 VAC
Max switching current	0,25 A
Max switching power	5 VA

General Specifications

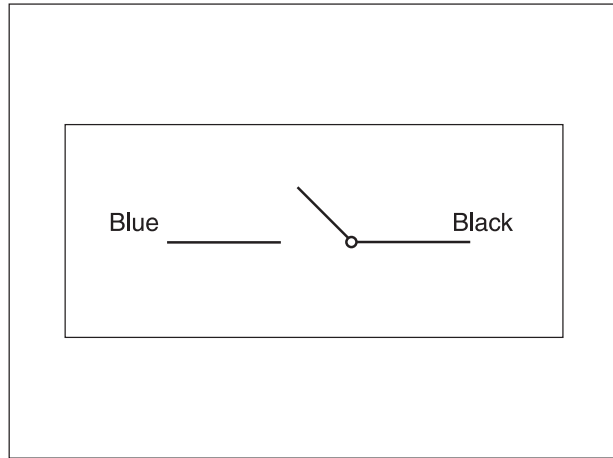
Operating distance ON	16 ± 4 mm
Release distance OFF	20 ± 6 mm
Reset distance	20 ± 6 mm
Suitable magnetic unit	CLSA2
Misalignment	max ± 4 mm
Housing	
Dimensions	M18x1
Material	Plastic
Weight	Approx. 70 g
Environment	
Degree of protection	IP 67
Operating temperature	-25 ÷ +70 °C
Storage temperature	-25 ÷ +70 °C

Safety Magnetic Sensors

Operating Directions



Wiring Diagrams



Dimensions

