

# Rectangular Safety Magnetic Sensors SMS-03/NC

CARLO GAVAZZI



- Safety magnetic sensors for applications up to Safety Category 4 in conformity with EN 954-1
- 2NO output functions
- 1NC auxiliary output
- Cable output connection
- Rectangular case
- Multiple Flux coding

## Product Description

The model SMS-03/NC is characterized by multiple flux coding and by the 2NO safety outputs; it is also provided with a signalling NC contact.

## Ordering Key

**SMS-03/NC**

Safety Magnetic sensor \_\_\_\_\_  
 Contact Type \_\_\_\_\_  
 Signalling Contact \_\_\_\_\_

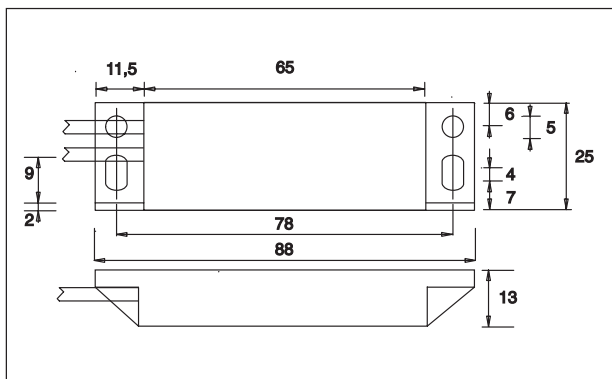
## Type Selection

Operating distance	Output function	Ordering no.
20 mm NO 17 mm NC aux.	2NO safety outputs 1NC auxiliary output	SMS-03/NC

## Specifications

<b>Operating Distance ON</b>	20 ± 3 mm	<b>External Dimensions</b>	88x25x13 mm
<b>Release Distance OFF</b>	22 ± 5 mm	<b>Protection Degree</b>	IP 67
<b>RESET Distance</b>	22 ± 5 mm	<b>Operating Temperature</b>	-25 to +70 °C
<b>Suitable Magnetic Unit</b>	CLS	<b>Storage Temperature</b>	-25 to +70 °C
<b>Output Function</b>	2NO + 1NC auxiliary	<b>Output Connection</b>	Cable (PVC, AWG 26, L=2m L=2m 4x0.15 mm <sup>2</sup> )
<b>Max Switching Voltage</b>	100 Vac	<b>Case</b>	Plastic
<b>Max Switching Current</b>	0.25 A		
<b>Max Switching Power</b>	5 VA		

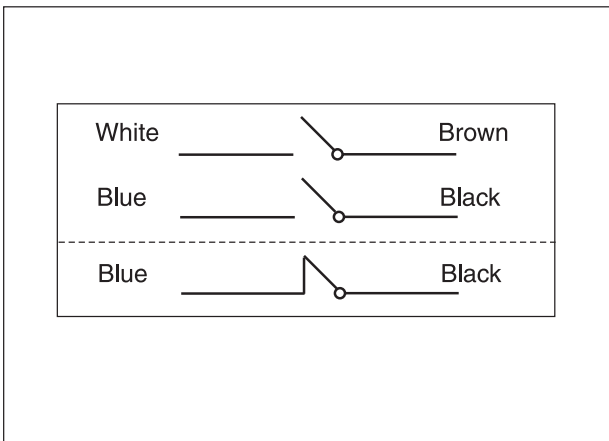
## Dimensions



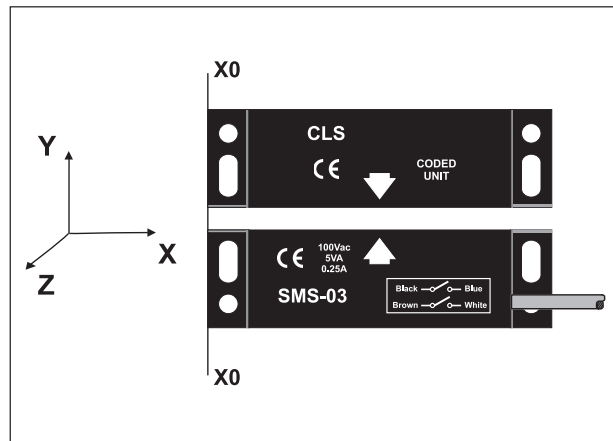
Specifications are subject to change without notice (10.01.04)



## Wiring Diagrams



## Operating directions



## Application

