

# Safety magnetic sensors

## Rectangular safety magnetic sensors

### SMS01, SMS02



- Safety Category 4 according to EN 954-1
- 1NO + 1NC outputs
- Cable output connection
- Rectangular housing
- Multiple Flux coding
- LED indication (SMS02LD only)
- Series resistor on NO contact (SMS02S1 only)

### Product Description

The safety magnetic sensors are particularly addressed to the safety gates that allow the entry to machines with dangerous movements and their risk category can be 4 (EN 954-1). They are provided with two contacts, 1 NO + 1 NC. The SMS02S1 model has a series resistor on NO contact to avoid read welding problems. The SMS02LD model has a LED for signalling.

### Ordering Key

**SMS 02 LD**



### Type Selection

Output	Operating distance	LED indication	Item code	Item code (UL)
1 NO + 1 NC	10 mm	No	SMS 01	SMS AP 11 AA 02M
1 NO + 1 NC	20 mm	No	SMS 02	SMS AP 11 AB 02M
1 NO + 1 NC	20 mm	Yes	SMS 02 LD	SMS AP 11 AC 02M
1 NO + 1 NC	20 mm	No	SMS 02 S1	SMS AP 11 AE 02M

### Output Specifications

<b>Output</b>	Category 4 (EN 954-1) 1 NO + 1 NC
<b>Output connection</b>	Cable (PVC, AWG 26, L=2m 4x0.15 mm <sup>2</sup> )
<b>Contact ratings</b> Max Switching Voltage Max Switching Current Max Switching Power	100 VAC 0.25 A 5 VA
<b>Series resistor (NO contact)</b> SMS02S1	R = 39 Ω, 2 W

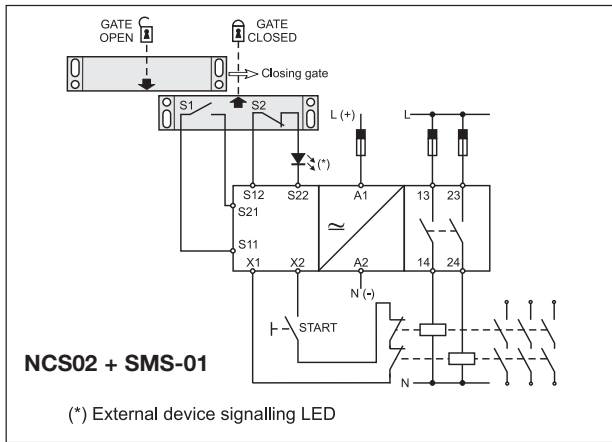
### General Specifications

<b>Operating distance ON</b> SMS01 only	10 ± 3 mm 20 ± 3 mm
<b>Release distance OFF</b> SMS01 only	15 ± 3 mm 30 ± 5 mm
<b>Reset distance</b> SMS01 only	20 ± 3 mm 35 ± 5 mm
<b>Suitable magnetic unit</b>	CLS
<b>Misalignment</b>	max ± 4 mm
<b>Housing</b> Dimensions Material	88 x 25 x 13 mm Plastic
<b>Weight</b>	Approx. 70 g
<b>Environment</b> Degree of protection Operating temperature Storage temperature	IP 67 -25 to +70 °C -25 to +70 °C
<b>Indication for</b> Gate open (SMS02LD)	LED, red

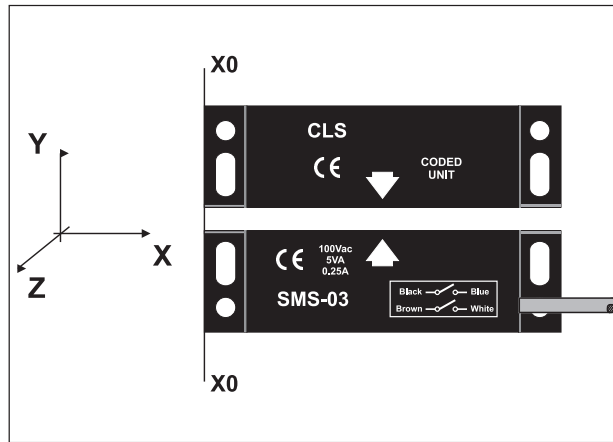
Safety Magnetic Sensors



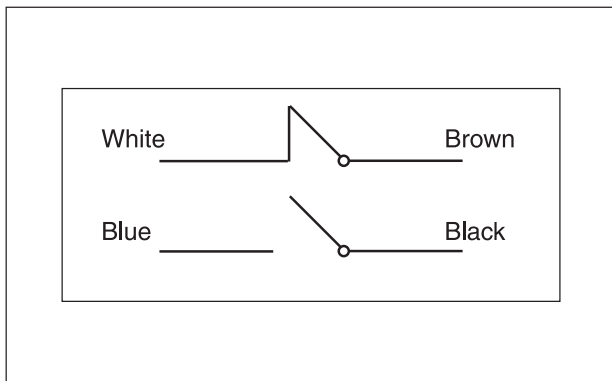
### Application



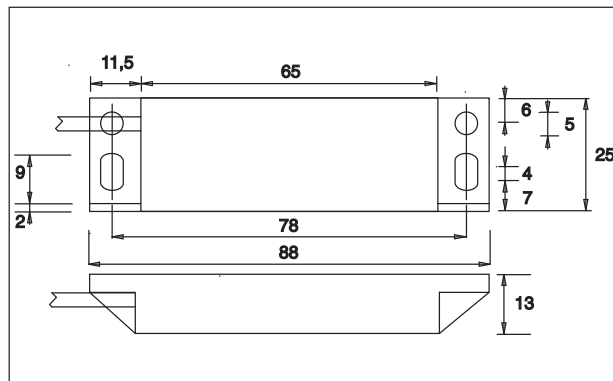
### Operating directions



### Wiring Diagrams



### Dimensions



Safety Magnetic Sensors