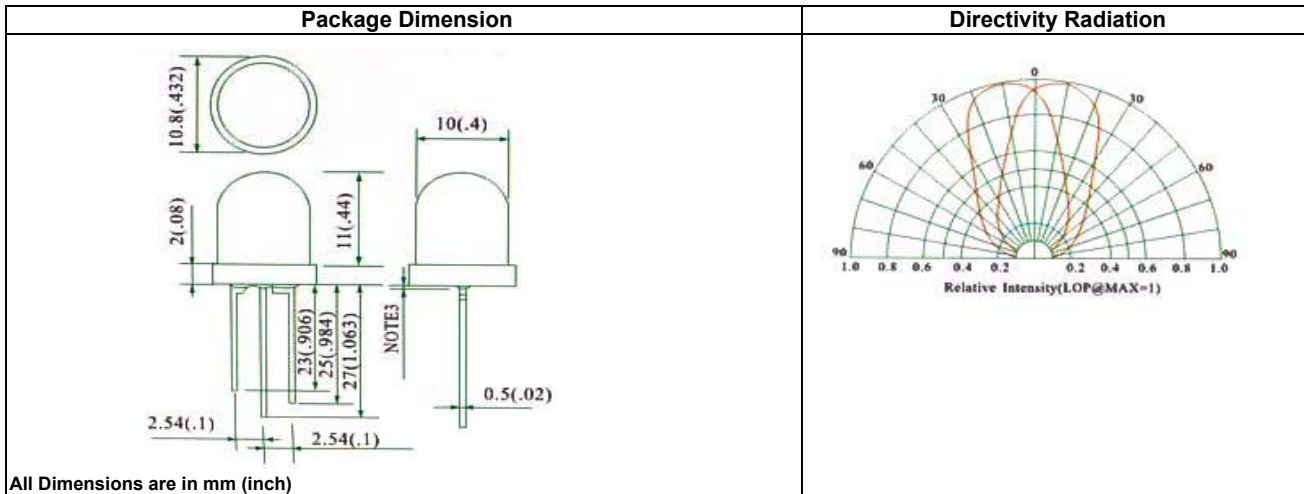


10.8 mm Round Type LED with Collar - Three Leads
Viewing Angle - 60°/55°

72C-9 Series



Electrical Characteristics							
Part No.	Chip Material	Emitted Colour	Lens Colour	Wave Length	Electro - Optical		
				λ_P (nm)	Characteristics ($I_f = 20mA$)		I_v (mcd)
					V_f (v)		
Typ.	Max						
72C4711W-9001	GaP/GaP	Hi-Red	Water Diffused	700	1.8	2.6	6
	GaP/GaP	Yellow-Green		570	1.8	2.6	15
72C5711W-9001	GaP/GaP	Hi-Red	Water Diffused	700	1.8	2.6	6
	GaAsP/GaP	Yellow		585	1.8	2.6	15
72C6711W-9001	GaP/GaP	Hi-Red	Water Diffused	700	1.8	2.6	6
	GaAsP/GaP	Orange		605	1.8	2.6	15
72C4511W-9001	GaP/GaP	Yellow-Green	Water Diffused	570	1.8	2.6	15
	GaAsP/GaP	Yellow		585	1.8	2.6	15
72C1711W-9001	GaAsP/GaP	Hi-Eff Red	Water Diffused	635	1.8	2.6	600
	GaN	Blue		470	2.6	3.8	300
72C2755W-9001	GaAsP/GaP	Hi-Eff Red	Water Diffused	635	1.8	2.6	600
	GaN	Blue Green		505	2.6	3.8	800
72C3755W-9001	GaAsP/GaP	Hi-Eff Red	Water Diffused	635	1.8	2.6	600
	GaN	Blue Green		525	2.6	3.8	800
72C1325W-9001	GaN	Blue	Water Diffused	470	2.6	3.8	300
	GaN	Blue Green		525	2.6	3.8	800

72C-9Rev100506D

Electrical Parameter (at T _a = 25°C)						
Colour	Reverse Voltage V _r (v)	Forward Current I _f (mA)	Forward Current Peak I _{fp} * (mA)	Power Pd (mW)	Operating Temp T _{opr} (°C)	Storage Temp T _{stg} (°C)
Green (GaP)	6	25	100	80	-25 ~ +80	-40 ~ +40
Red (GaP)	6	25	100	80	-25 ~ +80	-40 ~ +40
Orange (GaAsP/GaP)	6	25	100	80	-25 ~ +80	-40 ~ +40
Yellow (GaAsP/GaP)	6	25	100	80	-25 ~ +80	-40 ~ +40
Ultra Yellow (AlGaInP)	6	30	100	80	-25 ~ +80	-40 ~ +40
Ultra Orange (AlGaInP)	6	30	100	80	-25 ~ +80	-40 ~ +40
Ultra Red (AlGaInP)	6	30	100	80	-25 ~ +80	-40 ~ +40
Ultra Yellow Green	6	30	100	80	-25 ~ +80	-40 ~ +40
Blue (GaN/SiC)	6	30	100	170	-25 ~ +80	-40 ~ +40

* 1/10 Duty Cycle. 0.1 ms Pulse Width

Soldering Instructions						
Types	DIP and Wave Soldering			Iron Soldering (1.5 mm Iron Tip)		
	Temp of Soldering Bath	Max Soldering Time	Distance from Solder Joint to Case	Temp of Soldering Iron	Max Soldering Time	Distance from Solder to case
LEDs	≤ 260 °C	3S	>2mm	≤ 300 °C	3S	>2mm
	≤ 260 °C	5S	>4mm	≤ 300 °C	5S	>4mm

Component Disposal Instructions

1. All Devices are RoHS compliant, customers are requested to please dispose as per prevailing Environmental Legislation of their Country.
2. In Europe, please dispose as per EU Directive 2002/96/EC on Waste Electrical and Electronic Equipment (WEEE).

Disclaimer

The product information and the selection guides facilitate selection of the next LEDs best suited for application in your product(s) as per your requirement. It is recommended that you completely review our Data Sheet(s) so as to confirm that the LED(s) meet functionality parameters for your application. The information furnished in the Data Sheet and on the CDIL Web Site/CD are believed to be accurate and reliable. CDIL however, does not assume responsibility for inaccuracies or incomplete information. Furthermore, CDIL does not assume liability whatsoever, arising out of the application or use of any CDIL product; neither does it convey any license under its patent rights nor rights of others. These products are not designed for use in life saving/support appliances or systems. CDIL customers selling these products (either as individual LEDs or incorporated in their end products), in any life saving/support appliances or systems or applications do so at their own risk and CDIL will not be responsible for any damages resulting from such sale(s). CDIL strives for continuous improvement and reserves the right to change the specifications of its products without prior notice.



CDIL is a registered Trademark of
Continental Device India Limited
 C-120 Naraina Industrial Area, New Delhi 110 028, India.
 Telephone + 91-11-2579 6150, 4141 1112 Fax + 91-11-2579 5290, 4141 1119
 email@cdil.com www.cdilsemi.com