

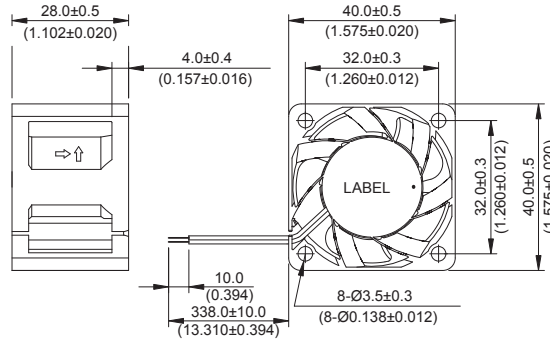
New



- * Bearing Type
Ball Bearings
- * Material
Impeller & Frame : Plastic(UL 94V-0)
- * Lead Wires :
UL 1061 AWG #26 OR Equivalent
Red Wire Positive(+)
Black Wire Negative(-)
- * Weight : 47g (1.66 OZ)

FFB 40 x 40 x 28 MM SERIES

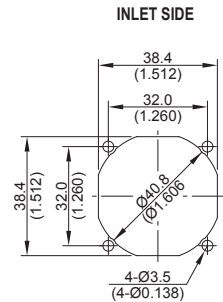
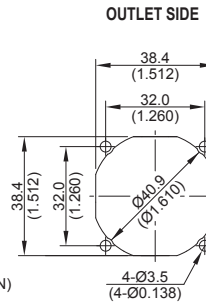
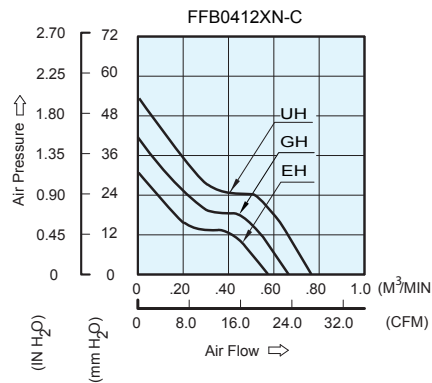
■ DIMENSIONS DRAWING



UNIT : $\frac{\text{mm}}{\text{(INCH)}}$

■ P & Q CURVE (AT RATED VOLTAGE)

■ MOUNTING PANEL CUTOUT



UNIT : $\frac{\text{mm}}{\text{(INCH)}}$

MODEL			Rated Voltage	Operating Voltage Range	Rated Current	Rated Input Power	Speed	Maximum Air Flow		Maximum Air Pressure		Noise
PART NO.	REV.	FUNCTION	VDC	VDC	Amp	Watt	R.P.M.	m ³ /min	CFM	mmH ₂ O	IN H ₂ O	dB-A
FFB0412EHN	-C	-R00 / -F00	12	5.5 to 13.2	0.33	3.96	14500	0.576	20.34	31.28	1.232	53.0
FFB0412GHN	-C	-R00 / -F00	12	5.5 to 13.2	0.50	6.00	16500	0.662	23.39	41.6	1.638	56.0
FFB0412UHN	-C	-R00 / -F00	12	5.5 to 13.2	0.65	7.80	18500	0.766	27.05	53.63	2.111	58.5

- * Function type is optional.
- * The max. air flow and the speed are measured in free air ; max. air pressure is measured at zero air flow.
- * Noise is measured in anechoic chamber in free air, one meter from intake side.
- * All readings are typical values at rated voltage.
- * Specifications are subject to change without notice.