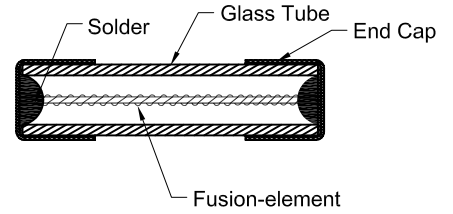




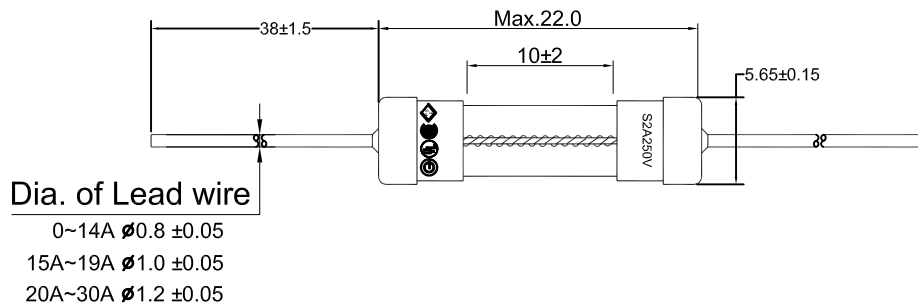
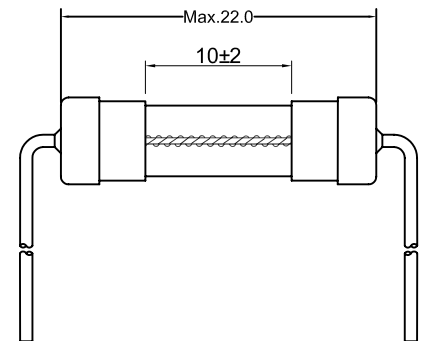
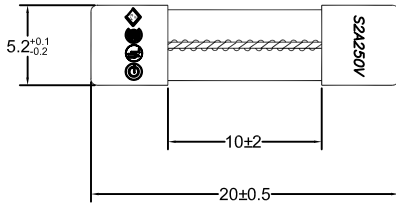
SBG520 Series

Slow Blow, Glass Tube
Miniature Cartridge Fuse 5.2 x 20mm

Construction	Glass Tube			
	100%		200%	
Rated Current	100%	135%	200%	
I_n	Min.	Max.	Min.	Max.
63mA-30A	4 h	3600 S	3 S	120 S
Approvals from: 0.063~3.15A 125V/250V				
Approvals from: 3.5~6.3A 125V				



Dimensions: Units: mm



Specifications are subject to change without notice.



SBG520 Series

Slow Blow, Glass Tube
Miniature Cartridge Fuse 5.2 x 20mm

Part Number	Rated Current	Breaking Capacity	Rate Voltage
SBG520-0.063-__	63mA	@125V/AC 10KA @250V/AC 35A	125V/250V
SBG520-0.080-__	80mA		
SBG520-0.100-__	100mA		
SBG520-0.125-__	125mA		
SBG520-0.160-__	160mA		
SBG520-0.200-__	200mA		
SBG520-0.250-__	250mA		
SBG520-0.300-__	300mA		
SBG520-0.315-__	315mA		
SBG520-0.400-__	400mA		
SBG520-0.500-__	500mA		
SBG520-0.600-__	600mA		
SBG520-0.630-__	630mA		
SBG520-0.700-__	700mA		
SBG520-0.800-__	800mA		
SBG520-001-__	1A	@125V/AC 10KA @250V/AC 100A	125V/250V
SBG520-1.25-__	1.25A		
SBG520-1.50-__	1.5A		
SBG520-1.60-__	1.6A		
SBG520-002-__	2A		
SBG520-2.50-__	2.5A		
SBG520-003-__	3A		
SBG520-3.15-__	3.15A		
SBG520-3.50-__	3.5A	@125V/AC 10KA @250V/AC 200A	125V/250V
SBG520-004-__	4A		
SBG520-005-__	5A		
SBG520-006-__	6A		
SBG520-6.30-__	6.3A		
SBG520-007-__	7A		
SBG520-008-__	8A		
SBG520-010-__	10A		
SBG520-012-__	12A	@32V/AC, DC 1000A	32V
SBG520-013-__	13A		
SBG520-015-__	15A		
SBG520-016-__	16A		
SBG520-020-__	20A		
SBG520-025-__	25A		
SBG520-030-__	30A		

Style Options: Nil = Axial w/o Leads
P = Radial Straight Leads
PA = Axial with Leads
PR = Axial Bent Leads
ex: SBG-3.15-PR

Specifications are subject to change without notice.