

*RoHS COMPLIANT



BOURNS®

Features

- Carbon element
 - Insulated shaft
 - Snap-in clip
 - Center detent
 - Center tap option
 - Assorted pin layouts
- Dual gang option
 - Various taper options

PTV/PTT Series - 12 mm Potentiometer

Electrical Characteristics

TaperLinear, audio
 Standard Resistance Range1 K ohms to 1 M ohms
 Standard Resistance Tolerance±20 %
 Residual Resistance1 % max.

Environmental Characteristics

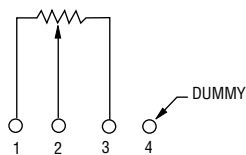
Operating Temperature-10 °C to +50 °C
 Power Rating0.05 Watt
 Maximum Operating Voltage50 V AC, 20 V DC
 Sliding Noise100 mV max.

Mechanical Characteristics

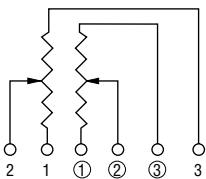
Mechanical Angle300 ° ±5 °
 Rotational Torque20 to 200 g-cm
 Detent Torque.....30 to 300 g-cm
 Stop Strength
 no bushing3 kg-cm min.
 with bushing.....3 kg-cm min.
 Rotational Life10,000 cycles
 Soldering Condition
300 °C max. within 3 seconds
 HardwareOne flat washer and mounting nut supplied per potentiometer with bushing

Electrical Diagrams

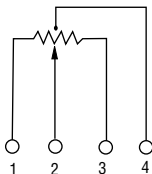
MODEL PTV 111



MODEL PTV 112

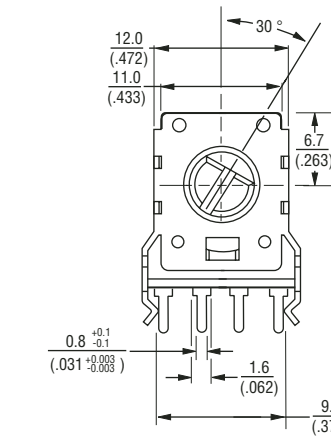
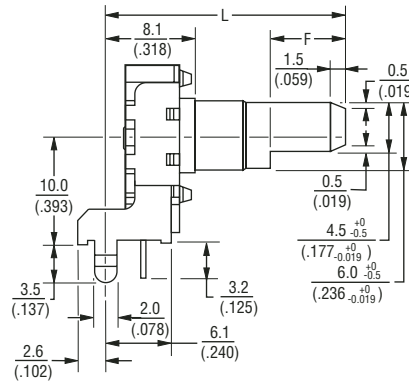


MODEL PTT 111

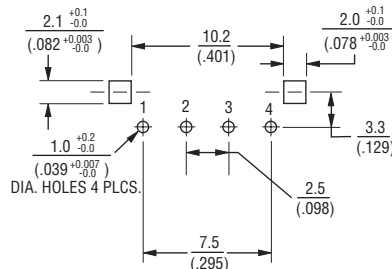


Product Dimensions

PTV111-2

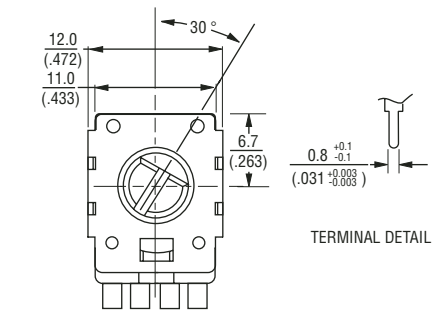
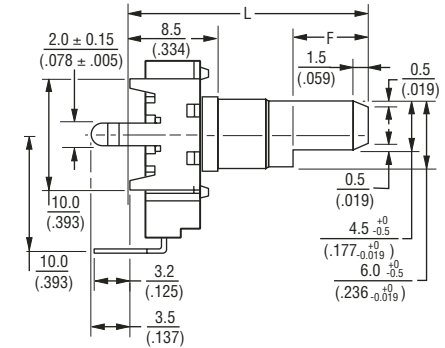


RECOMMENDED PCB LAYOUT

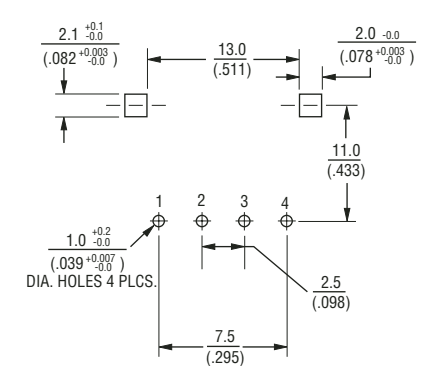


SHAFT SHOWN IN CCW POSITION

PTV111-4



RECOMMENDED PCB LAYOUT



SHAFT SHOWN IN CCW POSITION

Dimensions Without Bushing

L	15 (.591)	20 (.787)	22.5 (.886)	25 (.984)	27.5 (1.083)
F	4.5 (.177)	7 (.276)	7 (.276)	12 (.472)	12 (.472)

DIMENSIONS ARE: $\frac{\text{MM}}{\text{(INCHES)}}$

*RoHS Directive 2002/95/EC Jan 27 2003 including Annex. Specifications are subject to change without notice.

Customers should verify actual device performance in their specific applications.

Applications

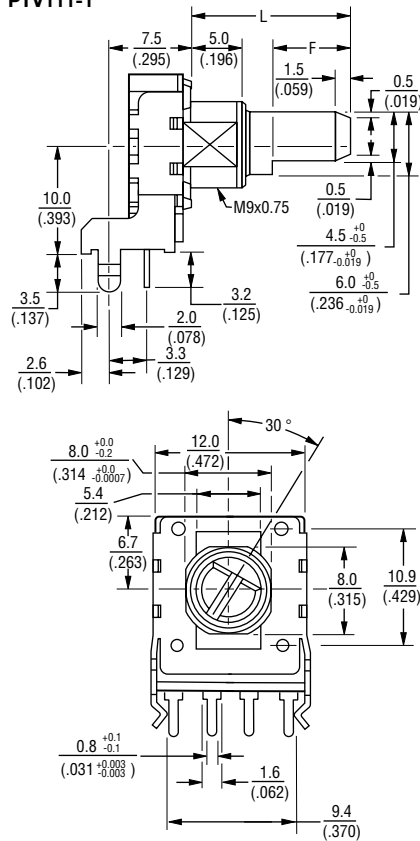
- Audio/TV sets
- Car radio
- Amplifiers/mixers/drum machines/synthesizers
- PCs/monitors
- Appliances

PTV/PTT Series - 12 mm Potentiometer

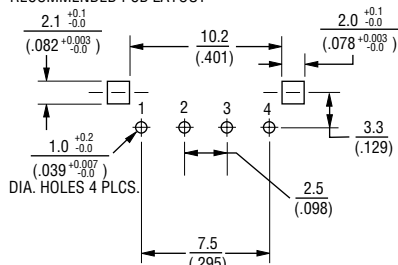
BOURNS®

Product Dimensions

PTV111-1

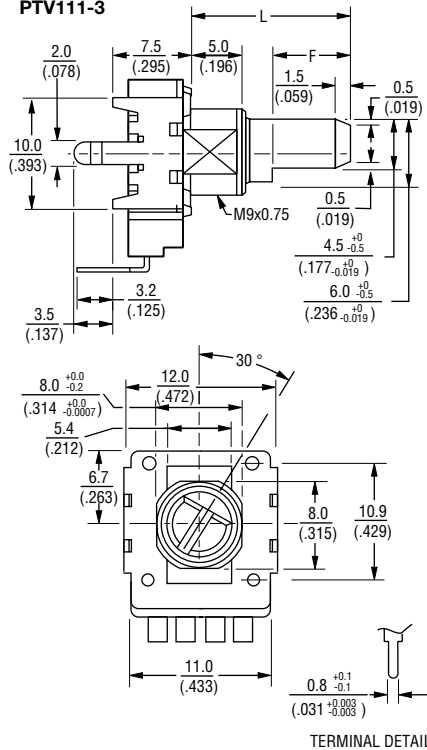


RECOMMENDED PCB LAYOUT



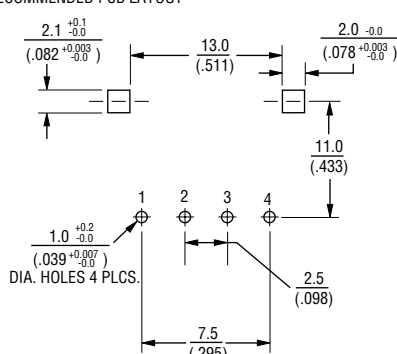
SHAFT SHOWN IN CCW POSITION

PTV111-3



TERMINAL DETAIL

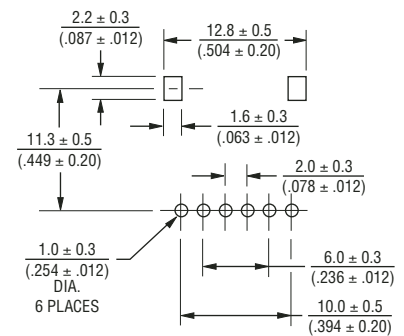
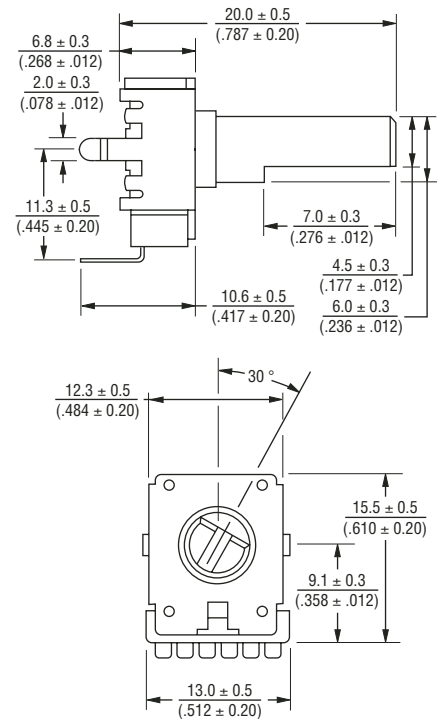
RECOMMENDED PCB LAYOUT



SHAFT SHOWN IN CCW POSITION

DIMENSIONS: $\frac{MM}{(IN.)}$

PTV112-4 DUAL GANG



SHAFT SHOWN IN CCW POSITION

Dimensions With Bushing

L	$\frac{12.5}{(.492)}$	$\frac{15}{(.591)}$	$\frac{17.5}{(.689)}$	$\frac{20}{(.787)}$
F	$\frac{7}{(.276)}$	$\frac{7}{(.276)}$	$\frac{12}{(.472)}$	$\frac{12}{(.472)}$

Specifications are subject to change without notice.
Customers should verify actual device performance in their specific applications.

PTV/PTT Series - 12 mm Potentiometer

BOURNS®

How To Order

PTV111 - 2 4 20 A - A1 104

Model
(See Diagrams)

- PTV111 Standard
- PTT111 With Tap
- PTV112 Dual Gang

Pin Style

- PC Pins vertical/
Down Facing:
- 1 = With Bushing
 - 2 = No Bushing
- PC Pins horizontal/
Rear Facing:
- 3 = With Bushing
 - 4 = No Bushing

Center Detent Option

- 4 = No Detent
- 2 = Center Detent

Standard Shaft Length

- 12 = 12.5 mm*
- 15 = 15 mm
- 17 = 17.5 mm*
- 20 = 20 mm
- 22 = 22.5 mm**
- 25 = 25 mm**
- 27 = 27.5 mm**

Shaft Styles

- A = Flat Type Insulated Shaft

Resistance Taper (See Taper Chart)

Taper Series followed by Curve Number

Resistance Code (See Table)

Other styles available.

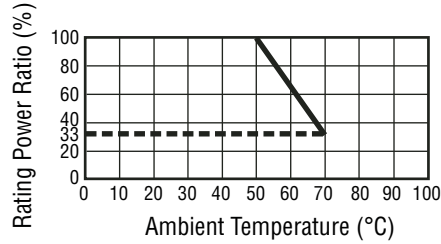
* Available with Pin Styles 1 & 3 only.

** Available with Pin Styles 2 & 4 only.

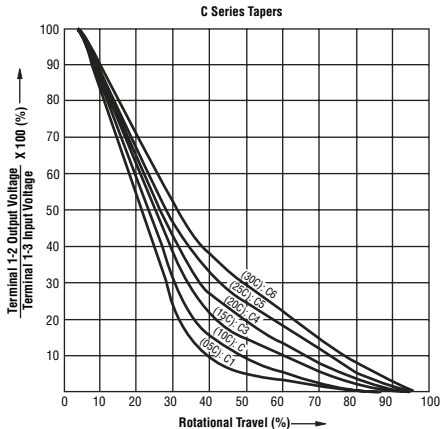
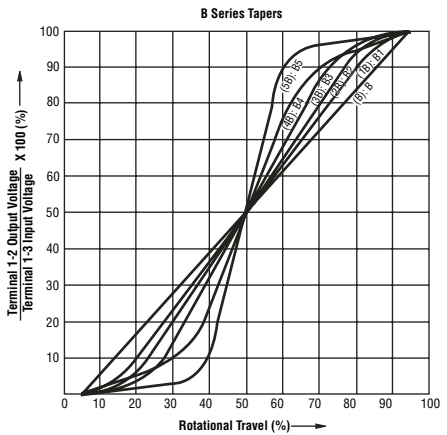
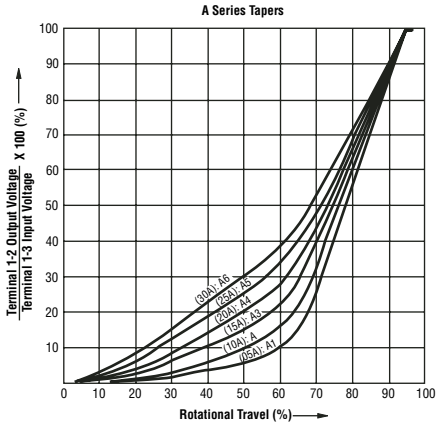
Standard Resistance Table

Resistance (Ohms)	Resistance Code
1,000	102
2,000	202
5,000	502
10,000	103
20,000	203
50,000	503
100,000	104
200,000	204
500,000	504
1,000,000	105

Derating Curve



Tapers



REV. 10/08

Specifications are subject to change without notice. Customers should verify actual device performance in their specific applications.