



Micro Commercial Components

Micro Commercial Components
20736 Marilla Street Chatsworth
CA 91311
Phone: (818) 701-4933
Fax: (818) 701-4939

BZT52B4V3S THRU BZT52B39S

**200 mW
Zener Diode
4.3 to 39 Volts**

Features

- Planar Die Construction
- 200mW Power Dissipation on Ceramic PCB
- General Purpose Medium Current
- Ideally Suited for Automated Assembly Processes
- Case Material: Molded Plastic. UL Flammability Classification Rating 94V-0 and MSL Rating 1
- Lead Free Finish/RoHS Compliant("P" Suffix designates RoHS Compliant. See ordering information)

Absolute Maximum Ratings

Symbol	Parameter	Rating	Unit
P_D	Power dissipation	200	mW
T_J	Junction Temperature	-65 to +175	°C
T_{STG}	Storage Temperature Range	-65 to +175	°C

Absolute Maximum Ratings

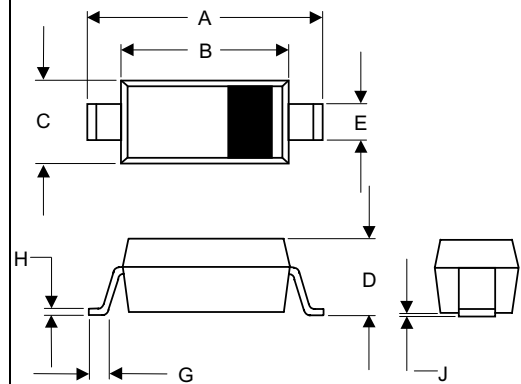
Symbol	Parameter	Rating	Unit
R_{thJA}	Thermal Resistance Junction to Ambient*	305	°C/W

* Device mounted on ceramic PCB: 7.6mm x 9.4mm x 0.87mm with pad areas 25 mm²

Electrical Characteristics

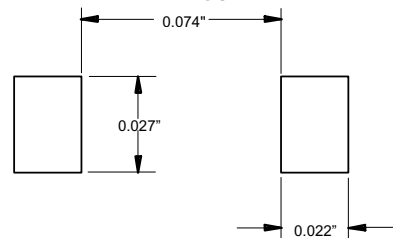
Symbol	Parameter	Rating	Unit
V_F	Maximum Forward Voltage ($I_F=10mA_{dc}$)	0.9	V

SOD-323



DIM	INCHES		MM		NOTE
	MIN	MAX	MIN	MAX	
A	.090	.107	2.30	2.70	
B	.063	.071	1.60	1.80	
C	.045	.053	1.15	1.35	
D	.031	.045	0.80	1.15	
E	.010	.016	0.25	0.40	
G	.004	.018	0.10	0.45	
H	.004	.010	0.10	0.25	
J	-----	.006	-----	0.15	

SUGGESTED SOLDER PAD LAYOUT



Electrical Characteristics@25°C

Type	ZENER VOLTAGE $V_Z^{(1)}$ VOLTS			Maximum Zener Impedance $Z_{ZT}^{(2)}$ Z _{ZT} (OHMS)		Maximum Zener Impedance $Z_{ZK}^{(2)}$ Z _{ZK} (OHMS)		REVERSE CURRENT $I_R(\text{Max})@V_R$		Typical Temperature Coefficient @ I_{ZTC}		Marking
	Min.	Nom.	Max.	$I_{ZT}(\text{mA})$	Max.	$I_{ZK}(\text{mA})$	Max.	uA	V	mV/°C		
BZT52B4V3S	4.21	4.3	4.39	5	90	1	600	3	1	-3.5	0	W7
BZT52B4V7S	4.61	4.7	4.79	5	80	1	500	3	2	-3.5	0.2	W8
BZT52B5V1S	5.0	5.1	5.2	5	60	1	480	2	2	-2.7	1.2	W9
BZT52B5V6S	5.49	5.6	5.71	5	40	1	400	1	2	-2	2.5	WA
BZT52B6V2S	6.08	6.2	6.32	5	10	1	150	3	4	0.4	3.7	WB
BZT52B6V8S	6.66	6.8	6.94	5	15	1	80	2	4	1.2	4.5	WC
BZT52B7V5S	7.35	7.5	7.65	5	15	1	80	1	5	2.5	5.3	WD
BZT52B8V2S	8.04	8.2	8.36	5	15	1	80	0.7	5	3.2	6.2	WE
BZT52B9V1S	8.92	9.1	9.28	5	15	1	100	0.5	6	3.8	7	WF
BZT52B10S	9.8	10	10.2	5	20	1	150	0.2	7	4.5	8	WG
BZT52B11S	10.78	11	11.22	5	20	1	150	0.1	8	5.4	9	WH
BZT52B12S	11.76	12	12.24	5	25	1	150	0.1	8	6	10	WI
BZT52B13S	12.74	13	13.3	5	30	1	170	0.1	8	7	11	WK
BZT52B15S	14.7	15	15.3	5	30	1	200	0.1	10.5	9.2	13	WL
BZT52B16S	15.68	16	16.3	5	40	1	200	0.1	11.2	10.4	14	WM
BZT52B18S	17.6	18	18.4	5	45	1	225	0.1	12.6	12.4	16	WN
BZT52B20S	19.6	20	20.4	5	55	1	225	0.1	14	14.4	18	WO
BZT52B22S	21.56	22	22.44	5	55	1	250	0.1	15.4	16.4	20	WP
BZT52B24S	23.52	24	24.5	5	70	1	250	0.1	16.8	18.4	22	WR
BZT52B27S	26.46	27	27.54	2	80	0.5	300	0.1	18.9	21.4	25.3	WS
BZT52B30S	29.4	30	30.6	2	80	0.5	300	0.1	21	24.4	29.4	WT
BZT52B33S	32.34	33	33.7	2	80	0.5	325	0.1	23.1	27.4	33.4	WU
BZT52B36S	35.28	36	36.72	2	90	0.5	350	0.1	25.2	30.4	37.4	WW
BZT52B39S	38.22	39	39.8	2	130	0.5	350	0.1	27.3	33.4	41.2	WX

(1) Device mounted on ceramic PCB: 7.6mm x 9.4mm x 0.87mm with pad areas 25 mm²

(2) f=1KHz



Micro Commercial Components

Ordering Information

Device	Packing
(Part Number)-TP	Tape&Reel;3Kpcs/Reel

IMPORTANT NOTICE

Micro Commercial Components Corp. reserves the right to make changes without further notice to any product herein to make corrections, modifications, enhancements, improvements, or other changes. *Micro Commercial Components Corp.* does not assume any liability arising out of the application or use of any product described herein; neither does it convey any license under its patent rights, nor the rights of others. The user of products in such applications shall assume all risks of such use and will agree to hold *Micro Commercial Components Corp.* and all the companies whose products are represented on our website, harmless against all damages.

APPLICATIONS DISCLAIMER

Products offer by *Micro Commercial Components Corp.* are not intended for use in Medical, Aerospace or Military Applications.

www.mccsemi.com