



12 X GBE HIGH-FEATURE ETHERNET MULTILAYER SWITCH

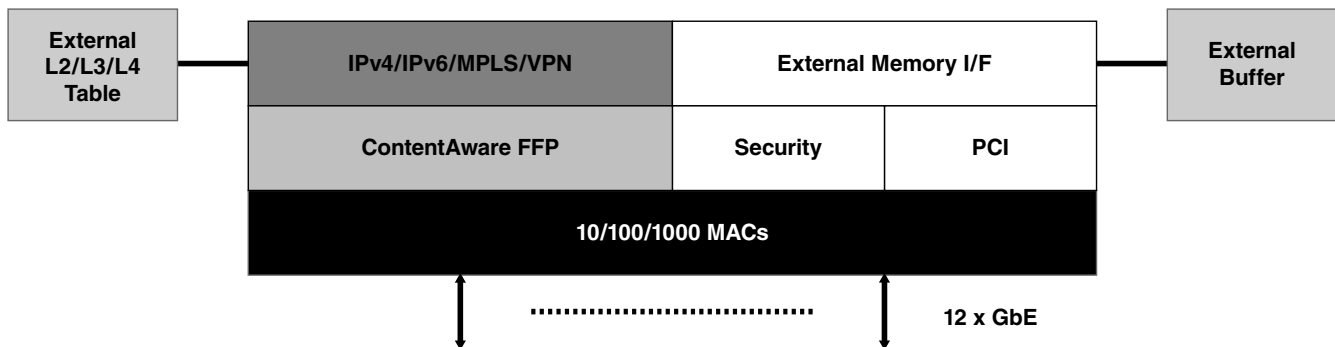
FEATURES

- Provides 12 Gigabit Ethernet (GbE) ports, each capable of operating at 10/100/1000 Mbps
- Fifth generation of StrataSwitch® and StrataXGS® product line
- 128 MB external packet buffer memory
- Line-rate switching for all packet sizes and conditions
- On-chip table with external table expansion options
- IPv6 routing and tunneling
- MPLS forwarding and VPN services
- Advanced Fast Filter Processor (FFP) ContentAware™ classification
- Advanced security features in hardware
- Hardware-based IP multicast routing/forwarding and replication
- Port-trunking and mirroring supported across stack
- Advanced packet flow control
 - Head-of-line blocking prevention
 - Back pressure support
- Eight Quality of Service (QoS) queues per port with hierarchical minimum/maximum shaping per Class of Service (CoS) per queue per port

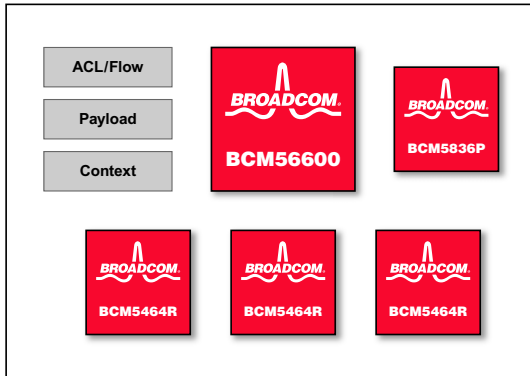
SUMMARY OF BENEFITS

- Highly scalable BroadScale™ processor evolved from five generations of switching experience provides rich features, scalability, and future-proof solutions.
- Optimized for secure-switching and convergence of applications and services in the networks
- Complete IPv6 enabled Layer 2 and Layer 3 switch-on-a-chip solution for easy and rapid development of multilayer switching applications
- System vendors can build scalable high-performance, high port density GbE and 10-GbE LAN switches in several form factors.
- Optimized features span both enterprise and service-provider applications.
- Multiple CoS and low latency enable the support of VoIP and other voice, video, and data applications.
- Built-in high-speed serial interfaces with Broadcom-unique SerDes technology ease and accelerate system design, while reducing cost and conserving board space.
- Broadcom switch API compatibility enables software reuse and faster time-to-market.
- Enabled *pay as you grow* option for all switching features optimizes flexibility for high-end enterprise and service-provider applications.

12 x GbE High-Feature Ethernet Multilayer Switch



OVERVIEW



12-Port 10/100/1000 Stand-Alone Routing Switch

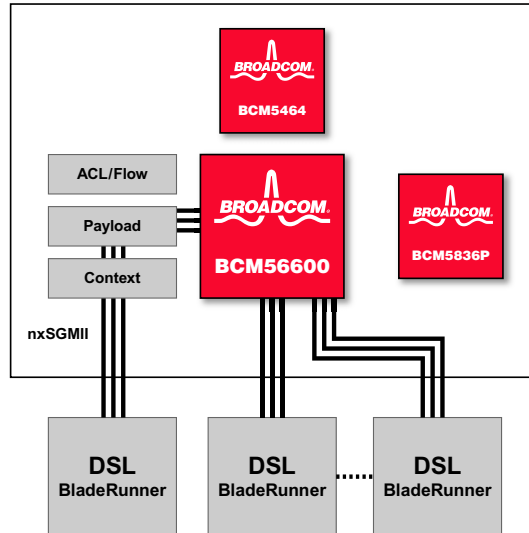
The BCM56600 is the fifth generation of the highly integrated and cost-effective StrataSwitch and StrataXGS product line. The BCM56600 product family extends the scalability and feature set for providing enhanced services for both LAN and WAN applications.

The BCM56600 provides 12 GbE ports, each capable of operating at 10/100/1000 Mbps. The BCM56600 is capable of supporting large external buffer memory for absorbing round-trip delays in the network. To provide flexibility to customers in growing the L2-L7 tables depending on specific applications, the BCM56600 supports external table expansion interfaces that enable the MAC, IPv4, IPv6, MPLS, and ACL tables to be extended.

With high scalability and flexible configurations on memory interfaces and applications, the BCM56600 is ideal for a wide range of applications spanning from enterprise aggregation to enterprise core chassis to enterprise routing switch to WAN access and WAN edge in stand-alone, stackable, and chassis configurations.

The BCM56600 integrates sophisticated advanced L3 switching features for cost-effective, highly manageable enterprise networks. The BCM56600 performs IPv6 routing and transition services in hardware, allowing IT managers to deploy L3 switches that are future-proof, highly manageable L3 networks that enable cost-effective transition from IPv4 to IPv6.

The ContentAware classification feature of the StrataSwitch and StrataXGS has been further enhanced in the BCM56600 with unmatched



High-Feature IPDSLAM with GbE Backplane

flexibility and programmability. The ContentAware engine can be used for applications such as policy-based routing, access control list, dynamic adaptation to changes in virus threats, and so on.

The BCM56600 has built-in security functions for highly secure enterprise networks including BroadSAFE™. Utilizing hardware-based identity management and authentication coupled with key management software that directs and manages clients, BroadSAFE Security provides exceptionally strong network security without affecting network performance.

The BCM56600 integrates sophisticated per-flow metering, statistics, and traffic management features, optimizing the QoS in the Enterprise networks for voice, video, and data convergence. The BCM56600 also provides rate-adjustable, hardware-based sFlow® implementation and flexible multiple-session remote port-mirroring functionality for efficient network management.

The BCM56600 switch supports a Broadcom Serial Control (BSC) controller for communicating with external devices such as serial EEPROM, flash PROM memories, and parallel port devices. The BCM56600 also supports a serial interface for the MII management of physical layer devices.

The BCM56600 switch interfaces to a host CPU via a 32-bit PCI bus running at up to 66 MHz. Bus mastering and advanced DMA are supported for efficient exchange of packet data between CPU memory and the BCM56600 switch.

Broadcom®, the pulse logo, **Connecting everything®**, the Connecting everything logo, StrataSwitch®, StrataXGS®, ContentAware™, HiGig+™, BroadScale™, and BroadSAFE™ are among the trademarks of Broadcom Corporation and/or its affiliates in the United States, certain other countries and/or the EU. Any other trademarks or trade names mentioned are the property of their respective owners.

Connecting
everything®



BROADCOM CORPORATION

5300 California Avenue
Irvine, California 92617

© 2009 by BROADCOM CORPORATION. All rights reserved.

56600-PB03-R 09/23/09

Phone: 949-926-5000
Fax: 949-926-5203
E-mail: info@broadcom.com
Web: www.broadcom.com