



Micro Commercial Components

Micro Commercial Components  
 20736 Marilla Street Chatsworth  
 CA91311  
 Phone:(818)-701-4933  
 Fax: (818)-701-4939

# MC78L05F

## Features

- Internal Short Circuit Current Limiting
- Internal Thermal Overload Protection
- No External Components Required
- Case Material:Molded Plastic. UL Flammability Classification Rating 94-0 and MSL Rating 1

## Maximum Ratings

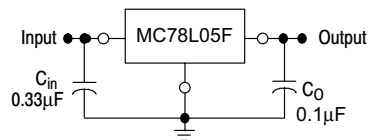
Parameter	Symbol	Value	Unit
Input Voltage (Vo=5.8V)	V <sub>I</sub>	30	V
Operating Junction Temperature	T <sub>OPR</sub>	-20---+120	°C
Storage Temperature Range	T <sub>STG</sub>	-55---+150	°C

## Electrical Characteristics (V<sub>I</sub>=10V, I<sub>o</sub>=40mA, 0°C <T<sub>j</sub><125°C, C<sub>1</sub>=0.33uF, C<sub>o</sub>=0.1uF, unless otherwise specified)

Parameter	Sym	Min	Typ	Max	Test conditions
Output Voltage	V <sub>o</sub>	4.8V	5.0V	5.2V	T <sub>j</sub> =25°C
		4.7V		5.25V	7V ≤ V <sub>I</sub> ≤ 20V, I <sub>o</sub> =1mA-40mA
		5.0V		5.25V	7V ≤ V <sub>I</sub> ≤ V <sub>MAX</sub> , I <sub>o</sub> =1mA-700mA (Note)
Load Regulation	ΔV <sub>o</sub>		11mV	60mV	I <sub>o</sub> =1mA-100mA, T <sub>j</sub> =25°C,
			5.0mV	30mV	I <sub>o</sub> =1mA-40mA, T <sub>j</sub> =25°C
Line regulation	ΔV <sub>o</sub>		8mV 6mV	150mV 100mV	7V ≤ V <sub>I</sub> ≤ 20V, T <sub>j</sub> =25°C 8V ≤ V <sub>I</sub> ≤ 20V, T <sub>j</sub> =25°C
Quiescent Current	I <sub>q</sub> ΔI <sub>q</sub>		2.0mA	5.5mA	8V ≤ V <sub>I</sub> ≤ 20V
				1.5mA	
Quiescent Current Change	ΔI <sub>q</sub>			0.1mA	1mA ≤ I <sub>o</sub> ≤ 40mA
Output Noise Voltage	V <sub>N</sub>		40μV		10Hz ≤ f ≤ 100KHz
Ripple Rejection	RR	41dB	80dB		8V ≤ V <sub>I</sub> ≤ 20V f=120Hz, T <sub>j</sub> =25°C
Dropout Voltage	V <sub>d</sub>		1.7V		T <sub>j</sub> =25°C

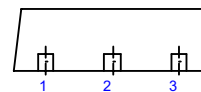
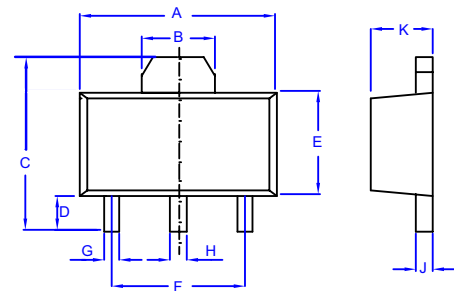
\*Note: Bypass Capacitors are recommended for optimum stability and transient response and should be located as close as possible to the regulators

Typical Application:



## Three-Terminal Low Current Positive Voltage Regulator

## SOT-89



1. OUT
2. GND (Case)
3. IN

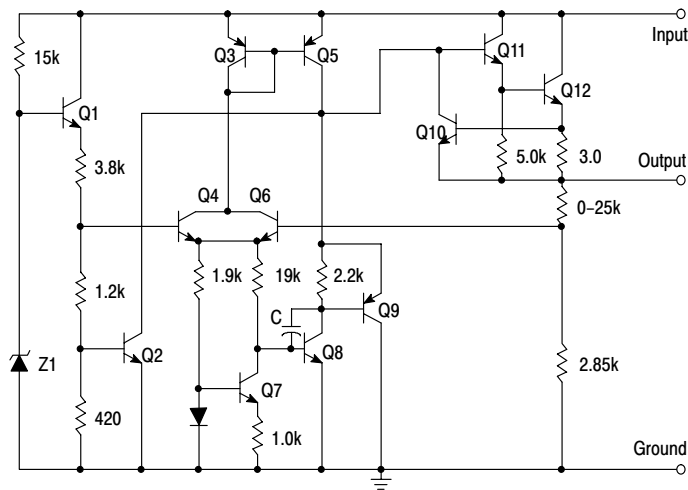
DIM	DIMENSIONS				NOTES
	INCHES		MM		
A	.173	.181	4.39	4.60	
B	.061	-----	1.55	-----	REF.
C	.154	.165	3.91	4.19	
D	.031	.039	0.80	1.00	
E	.092	.100	2.34	2.54	
F	.118	-----	3.00	-----	TYP
G	.013	.019	0.33	0.48	
H	.015	.021	0.38	0.53	
J	.015	.016	0.38	0.41	
K	.055	.063	1.40	1.60	

# MC78L05F



Micro Commercial Components

Figure 1. Representative Schematic Diagram



[www.mccsemi.com](http://www.mccsemi.com)



Micro Commercial Components

## Ordering Information

Device	Packing
(Part Number)-TP	Tape&Reel;1Kpcs/Reel

**\*\*\*IMPORTANT NOTICE\*\*\***

*Micro Commercial Components Corp* .reserves the right to make changes without further notice to any product herein to make corrections, modifications , enhancements , improvements , or other changes .  
*Micro Commercial Components Corp* .does not assume any liability arising out of the application or use of any product described herein; neither does it convey any license under its patent rights ,nor the rights of others . The user of products in such applications shall assume all risks of such use and will agree to hold *Micro Commercial Components Corp* .and all the companies whose products are represented on our website, harmless against all damages.

**\*\*\*APPLICATIONS DISCLAIMER\*\*\***

Products offer by *Micro Commercial Components Corp* . are not intended for use in Medical, Aerospace or Military Applications.

[www.mccsemi.com](http://www.mccsemi.com)