



Micro Commercial Components

Micro Commercial Components
 20736 Marilla Street Chatsworth
 CA 91311
 Phone: (818) 701-4933
 Fax: (818) 701-4939

MC78M09ACDT

Features

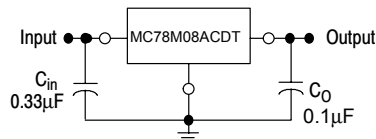
- Output current in excess of 0.5 Ampere
- Internal thermal overload protection
- Internal short-circuit current limiting
- High power dissipation capability
- Case Material: Molded Plastic. UL Flammability Classification Rating 94V-0

Maximum Ratings @ T_A=25°C, Unless Otherwise Noted

Parameter	Symbol	Value	Unit
Input Voltage	V _i	35	V
Operating Junction Temperature Range	T _{OPR}	0---+125	°C
Storage Temperature Range	T _{STG}	-65---+150	°C

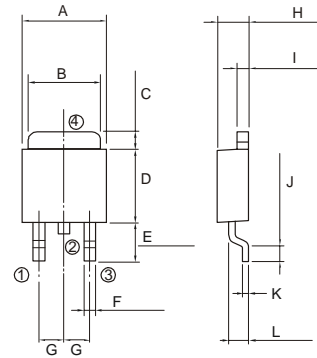
Electrical Characteristics (V_i=16V, I_o=350mA, 0°C<T_j<125°C, C_i=0.33µF, C_o=0.1µF, Unless Otherwise Specified)

Parameter	Sym	Min	Typ	Max	Test conditions
Output Voltage	V _o	8.82V	9.0V	9.18V	T _j =25°C
		8.77V	9.0V	9.23V	11.5V ≤ V _i ≤ 24V, 5mA ≤ I _o ≤ 350mA, P _o =15W
Load Regulation	ΔV _o		20mV	180mV	5mA ≤ I _o ≤ 0.5A, T _j =25°C
			10mV	90mV	5mA ≤ I _o ≤ 200mA, T _j =25°C
Line regulation	ΔV _o		6mV 2.0mV	100mV 50mV	10.5V ≤ V _i ≤ 26V, I _o =0.2A 12V ≤ V _i ≤ 26V, I _o =0.2A
Quiescent Current	I _q		4.6mA	6.0mA	T _j =25°C
Quiescent Current Change	ΔI _q			0.8mA 0.5mA	11.5V ≤ V _i ≤ 26V, I _o =0.2A 5mA ≤ I _o ≤ 350mA
Output Noise Voltage	V _N		60µV		10Hz ≤ f ≤ 100Hz
Ripple Rejection	RR		56dB	80dB	13V ≤ V _i ≤ 23V f=120Hz, I _o =0.3A T _j =25°C
Dropout Voltage	V _d		2.0V		T _j =25°C
Output Short Circuit Current	I _{sc}		250mA		V _i =16V, T _j =25°C
Peak Output Current	I _{pk}		0.7A		T _j =25°C



Three-Terminal Positive Voltage Regulators

DPAK



- ① :IN
- ② ④ :GND
- ③ :OUT

DIM	DIMENSIONS				NOTE
	INCHES		MM		
A	.248	.364	6.3	6.7	
B	.200	.216	5.1	5.5	
C	.047	.063	1.2	1.6	
D	.209	.225	5.3	5.7	
E	.090	.106	2.3	2.7	
F	.012	.032	0.3	0.8	
G	.090		2.3		
H	.082	.098	2.1	2.5	
I	.016	.024	0.4	0.6	
J	.040	---	1.0	---	
K	.020		0.5		
L	.051	.071	1.3	1.8	



Micro Commercial Components

*****IMPORTANT NOTICE*****

Micro Commercial Components Corp. reserves the right to make changes without further notice to any product herein to make corrections, modifications, enhancements, improvements, or other changes. *Micro Commercial Components Corp.* does not assume any liability arising out of the application or use of any product described herein; neither does it convey any license under its patent rights, nor the rights of others. The user of products in such applications shall assume all risks of such use and will agree to hold *Micro Commercial Components Corp.* and all the companies whose products are represented on our website, harmless against all damages.

*****APPLICATIONS DISCLAIMER*****

Products offer by *Micro Commercial Components Corp.* are not intended for use in Medical, Aerospace or Military Applications.

www.mccsemi.com