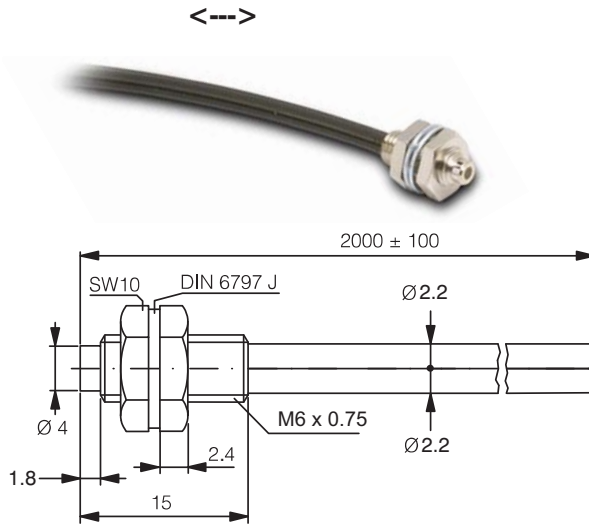


Cuttable Optical Fibers (2.2 mm Diameter)

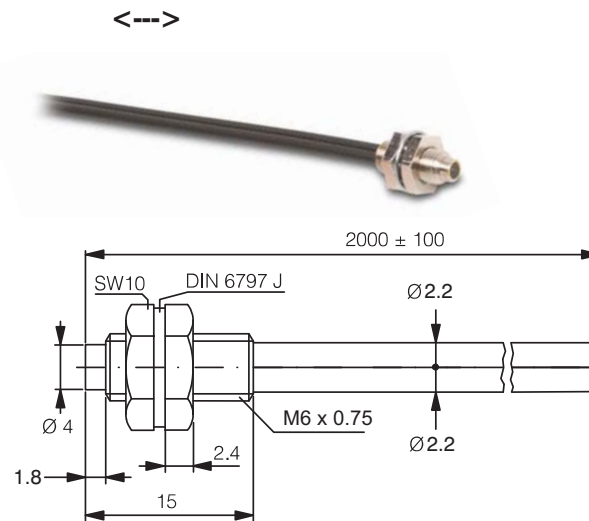
CF-DB1-20 diffuse reflection

| Specifications | |
|---|----------------------------------|
| Optical Fiber Core Ø | 1 mm (0.039in) |
| Sensing Distance with DFT and DFP Series | 200 mm (7.87in) |
| Fiber Length (L) | 2.0 m (78.74in) |
| Fiber Bending Radius | 25 mm (0.98in) |
| Free Cut | Yes |
| Head Size | M6 |
| Thread Pitch | 0.75 mm |
| Protection Degree | IEC IP67 |
| Temperature Range | -25° to +70°C (-13° to 158°F) |
| Fiber Materials | PMMA |
| Sleeve Materials | Polyethylene |
| Head Materials | Nickel-plated brass |



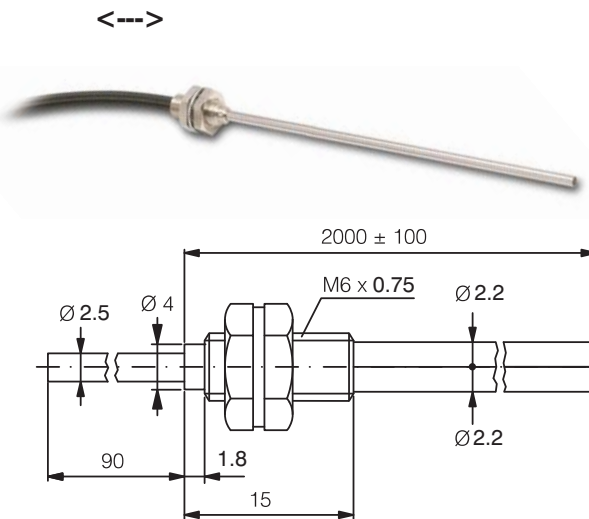
CF-DB2-20 diffuse reflection

| Specifications | |
|---|----------------------------------|
| Optical Fiber Core Ø | 1.5 mm (0.06in) |
| Sensing Distance with DFT and DFP Series | 260 mm (10.27in) |
| Fiber Length (L) | 2.0 m (78.74in) |
| Fiber Bending Radius | 40 mm (1.57in) |
| Free Cut | Yes |
| Head Size | M6 |
| Thread Pitch | 0.75 mm |
| Protection Degree | IEC IP67 |
| Temperature Range | -25° to +70°C (-13° to 158°F) |
| Fiber Materials | PMMA |
| Sleeve Materials | Polyethylene |
| Head Materials | Nickel-plated brass |



CF-DB3-20 diffuse reflection

| Specifications | |
|---|----------------------------------|
| Optical Fiber Core Ø | 1 mm (0.039in) |
| Sensing Distance with DFT and DFP Series | 200 mm (7.87in) |
| Fiber Length (L) | 2.0 m (78.74in) |
| Fiber Bending Radius | 25 mm (0.98in) |
| Bendable light-outlet tube | Yes, 25 mm (0.98in) radius |
| Free Cut | Yes |
| Head Size | M6 |
| Thread Pitch | 0.75 mm |
| Protection Degree | IEC IP67 |
| Temperature Range | -25° to +70°C (-13° to 158°F) |
| Fiber Materials | PMMA |
| Sleeve Materials | Polyethylene |
| Head Materials | Nickel-plated brass |

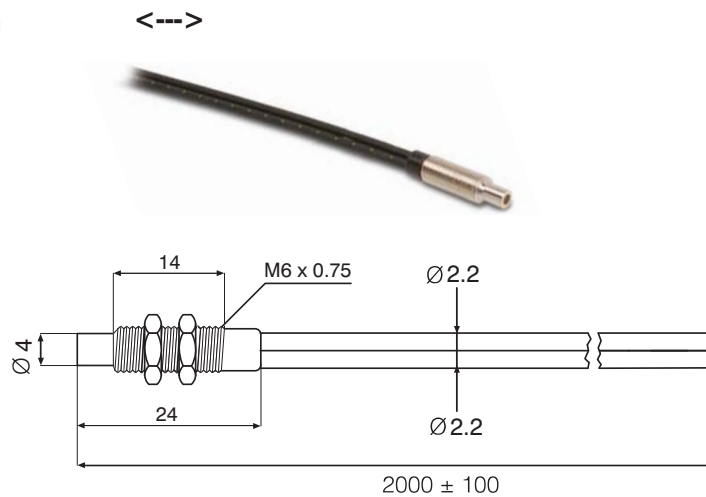


- PLC Overview
- DL05/06 PLC
- DL105 PLC
- DL205 PLC
- DL305 PLC
- DL405 PLC
- Field I/O
- Software
- C-more HMIs
- Other HMI
- AC Drives
- Motors
- Steppers/Servos
- Motor Controls
- Proximity Sensors
- Photo Sensors**
- Limit Switches
- Encoders
- Current Sensors
- Pushbuttons/Lights
- Process
- Relays/Timers
- Comm.
- TB's & Wiring
- Power
- Circuit Protection
- Enclosures
- Appendix
- Part Index

Cuttable Optical Fibers (2.2 mm Diameter)

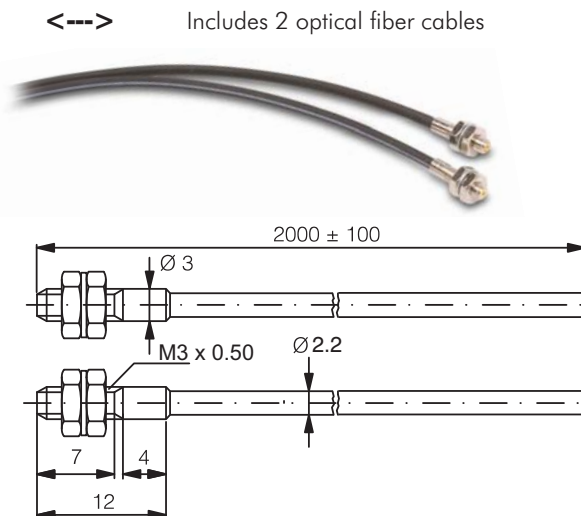
CF-CB1-20 diffuse reflection

| Specifications | |
|---|----------------------------------|
| Optical Fiber Core Ø | 1 mm (0.039in) |
| Sensing Distance with SSF Series | 50 mm (1.97in) |
| Fiber Length (L) | 2.0 m (78.74in) |
| Fiber Bending Radius | 25 mm (0.98in) |
| Free Cut | Yes |
| Head Size | M6 |
| Thread Pitch | 0.75 mm |
| Protection Degree | IEC IP67 |
| Temperature Range | -40° to +70°C (-40° to 158°F) |
| Fiber Materials | PMMA |
| Sleeve Materials | Polyethylene |
| Head Materials | Nickel-plated brass |



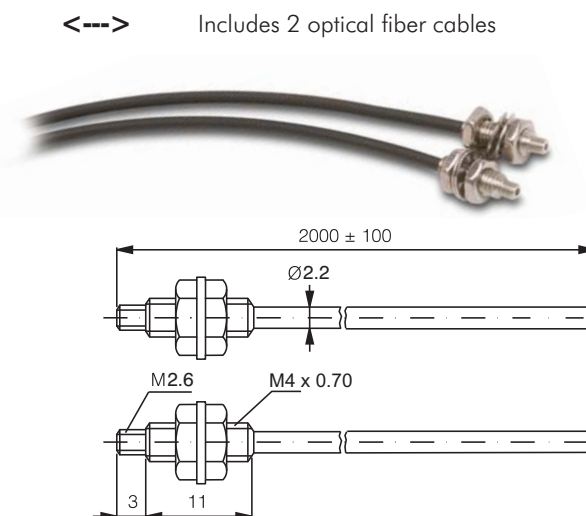
CF-TB1-20 through-beam

| Specifications | |
|---|----------------------------------|
| Optical Fiber Core Ø | 0.5 mm (0.02in) |
| Sensing Distance with DFT and DFP Series | 200 mm (7.87in) |
| Fiber Length (L) | 2.0 m (78.74in) ea. piece |
| Fiber Bending Radius | 25 mm (0.98in) |
| Free Cut | Yes |
| Head Size | M3 |
| Thread Pitch | 0.5 mm |
| Protection Degree | IEC IP67 |
| Temperature Range | -25° to +70°C (-13° to 158°F) |
| Fiber Materials | PMMA |
| Sleeve Materials | Polyethylene |
| Head Materials | Nickel-plated brass |



CF-TB2-20 through-beam

| Specifications | |
|---|----------------------------------|
| Optical Fiber Core Ø | 1 mm (0.039in) |
| Sensing Distance with DFT and DFP Series | 700 mm (27.56in) |
| Fiber Length (L) | 2.0 m (78.74in) ea. piece |
| Fiber Bending Radius | 25 mm (0.98in) |
| Free Cut | Yes |
| Head Size | M4 |
| Thread Pitch | 0.7 mm |
| Protection Degree | IEC IP67 |
| Temperature Range | -25° to +70°C (-13° to 158°F) |
| Fiber Materials | PMMA |
| Sleeve Materials | Polyethylene |
| Head Materials | Nickel-plated brass |

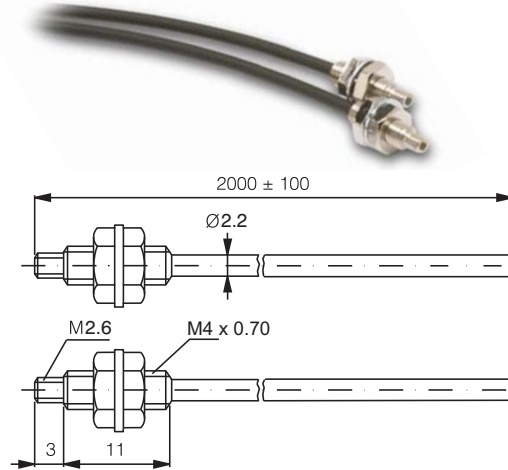


Cuttable Optical Fibers (2.2 mm Diameter)

CF-TB3-20 through-beam

| Specifications | |
|---|----------------------------------|
| Optical Fiber Core Ø | 1.5 mm (0.06in) |
| Sensing Distance with DFT and DFP Series | 900 mm (35.43in) |
| Fiber Length (L) | 2.0 m (78.74in) ea. piece |
| Fiber Bending Radius | 40 mm (1.57in) |
| Free Cut | Yes |
| Head Size | M4 |
| Thread Pitch | 0.7 mm |
| Protection Degree | IEC IP67 |
| Temperature Range | -25° to +70°C (-13° to 158°F) |
| Fiber Materials | PMMA |
| Sleeve Materials | Polyethylene |
| Head Materials | Nickel-plated brass |

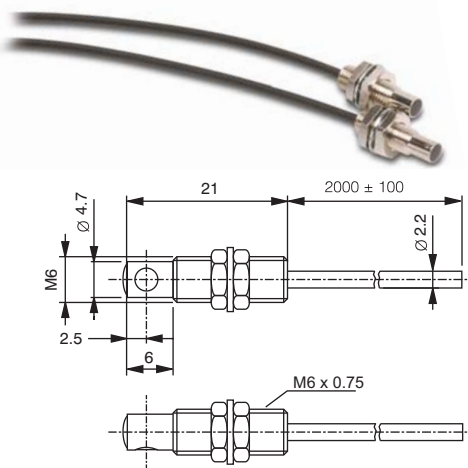
<---> Includes 2 optical fiber cables



CF-TB4-20 90° through-beam

| Specifications | |
|---|----------------------------------|
| Optical Fiber Core Ø | 1.0 mm (0.039in) |
| Sensing Distance with DFT and DFP Series | 1800 mm (70.87in) |
| Fiber Length (L) | 2.0 m (78.74in) ea. piece |
| Fiber Bending Radius | 25 mm (0.98in) |
| Free Cut | Yes |
| Head Size | M6 |
| Thread Pitch | 0.75 mm |
| Protection Degree | IEC IP67 |
| Temperature Range | -25° to +70°C (-13° to 158°F) |
| Fiber Materials | PMMA |
| Sleeve Materials | Polyethylene |
| Head Materials | Nickel-plated brass |

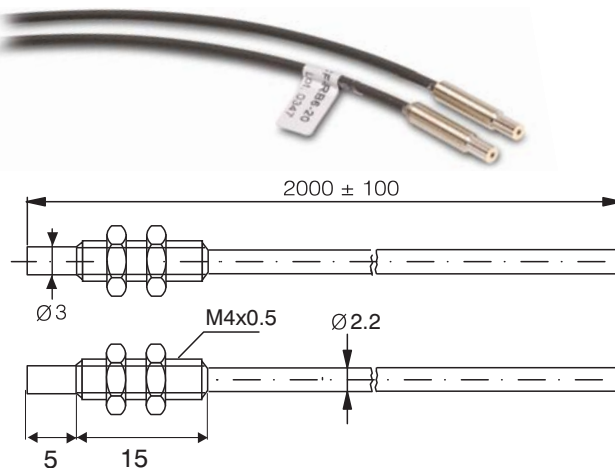
<---> Includes 2 optical fiber cables



CF-RB6-20 through beam

| Specifications | |
|---|----------------------------------|
| Optical Fiber Core Ø | 1.0 mm (0.039in) |
| Sensing Distance with SSF Series | 120 mm (4.72in) |
| Fiber Length (L) | 2.0 m (78.74in) ea. piece |
| Fiber Bending Radius | 25 mm (0.98in) |
| Free Cut | Yes |
| Head Size | M4 |
| Thread Pitch | 0.75 mm |
| Protection Degree | IEC IP67 |
| Temperature Range | -40° to +70°C (-40° to 158°F) |
| Fiber Materials | PMMA |
| Sleeve Materials | Polyethylene |
| Head Materials | Nickel-plated brass |

<---> Includes 2 optical fiber cables



Cuttable Optical Fibers (2.2 mm Diameter)

CF-RBA-20 through-beam with lenses



Includes 2 optical fiber cables

| Specifications | |
|---|----------------------------------|
| Optical Fiber Core Ø | 1.0 mm (0.039in) |
| Sensing Distance with SSF series | 1200 mm (47.24in) |
| Fiber Length (L) | 2.0 m (78.74in) ea. piece |
| Fiber Bending Radius | 25 mm (0.98in) |
| Free Cut | Yes |
| Head Size | M7 |
| Thread Pitch | 0.75 mm |
| Protection Degree | IEC IP67 |
| Temperature Range | -40° to +70°C (-40° to 158°F) |
| Fiber Materials | PMMA |
| Sleeve Materials | Polyethylene |
| Head Materials | Nickel-plated brass |

