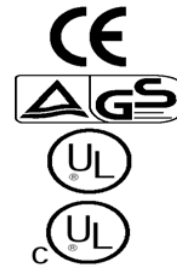


30 & 60 W
DIN-Rail
Power
Module

DIN-Rail Power Module

30 & 60 Watt DRA-Hutschiene-Serie



POWER MODULE

Besondere Merkmale	Features	
Universaleingang Hoher Wirkungsgrad Sehr kompakter Aufbau Überlast- und kurzschlußfest Interner Eingangsfilter Montage ohne Werkzeug	Universal input High efficiency Ultra compact design Overload short circuit protection Internal input filter No tools required for mounting	
Anwendung	Application	
Schaltschrank mit Hutschiene	switch cabinet with DIN-RAIL	
Technische Daten	Specification	
bei 25°C Umgebungstemperatur	at 25 °C ambient temperature	
Eingangsdaten	Input Specifications	
Eingangsspannung	Input voltage	90...264 V AC or 120...372 VDC
Eingangsfrequenz	Input frequency	47...63 Hz
Leerlaufeingangsstrom	No load input current	10 mA
Einschaltstromstoß	Inrush current	<21A@115VAC, <42A@230VAC
Ausgangsdaten	Output Specifications	
Leistung	Power	max. 30 / 60 Watt
Wirkungsgrad	Efficiency	see table
Schaltfrequenz	Switching frequency	> 50 kHz
Spannungs-Regelabweichung	Output voltage accuracy	±1% @Vo nom
Last-Regelabweichung	Load regulation	±0,3% @ Vo nom
Überstrom/Kurzschlußschutz	Overcurrent/short-circuit protection	>125%, Auto Restart(Hiccup mode)
Restwelligkeit	Ripple and noise	max 50 mV
DC-OK Anzeige	DC-OK indicator	green LED
Power Ready Signal (24V-Modelle)	Power ready signal (24V-models)	See Fig.1 Rdy connection
Allgemeine Daten	General Specifications	
Betriebstemperatur	Operating temperature	-10°C...+50°C, Derating see table
Lagertemperatur	Storage temperature	-25°C...+85°C
Luftfeuchtigkeit	Humidity	max 90 %RH
Isolationswiderstand	Isolation resistance	100 MOhm min.
Isolation	Dielectric withstand (Hipot)	Input <-> Output 3 KVAC
MTBF	MTBF	MIL-HNBK: 167.000 h
Gehäusematerial	Case material	Sealed plastic with fine ventilation grid
Transienteneinschwingzeit	Transient recovery time	300µs, 50% load step change
Kühlung	Cooling	Convection
Anschlüsse	Connecor size	Solid: 0.2...2.0mm² (AWG24-14)
DIN-Hutschiene	DIN-RAIL	TS35/7.5 or TS35/15
Funkentstörung	EMI	EN 55022 B
Störfestigkeit	EMS	EN55024
Zulassungsbestimmungen	Safety approvals	UL 1950, CSA 22.2 950 (cUL), TÜV EN 60950

DIN-Rail Power Module

30 & 60 Watt DRA-Hutschiene-Serie

30 & 60 W DIN-Rail Power Module

Bestell-Information / Order Information

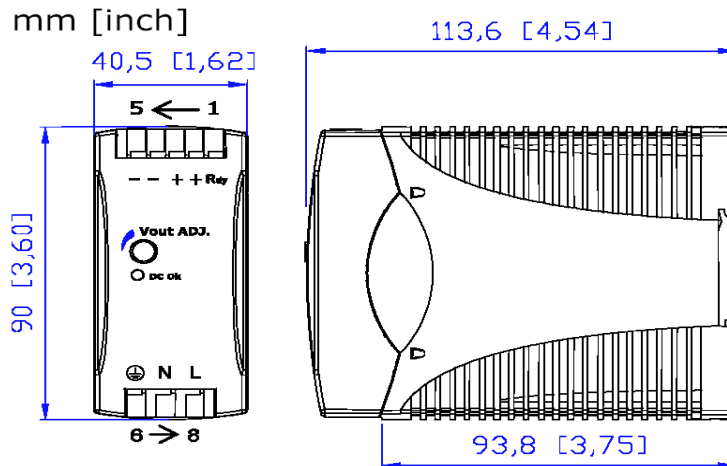
Modell	Ausgang 1 Output 1	Last/Load		Wirkungsgrad typ. Efficiency typ.	Adjustable output voltage by potentiometer
		Min.	Max.		
DRA30-05	5 V	0.0 A	6,0 A	79 %	5...5,75 V
DRA30-12	12 V	0.0 A	2,5 A	81 %	12...13,8 V
DRA30-24	24 V	0.0 A	1,25 A	84 %	24...27,6 V
DRA30-48	48 V	0.0 A	0,625 A	83 %	48...55,2 V
DRA60-05	5 V	0.0 A	10,0 A	80 %	5...5,75 V
DRA60-12	12 V	0.0 A	5,0 A	84 %	12...13,8V
DRA60-24	24 V	0.0 A	2,5 A	86 %	24...27,6V
DRA60-48	48 V	0.0 A	1,25 A	86 %	48...55,2 V

Option : DC/DC-Converter Module - Die Lösung für andere DC-Applikationen mit 40 Watt. Eingang 24 VDC, Ausgänge 3,3V, ±5V, ±12V, ±15V, ±24V im gleichen Hutschienengehäuse.

Option : DC/DC-Converter Module - The solution for DC-requirement with 40 Watt. Input 24 VDC, outputs 3,3V, ±5V, ±12V, ±15V, ±24V in the same DIN-RAIL case.

MEMO :

MECHANISM & PIN CONFIGURATION



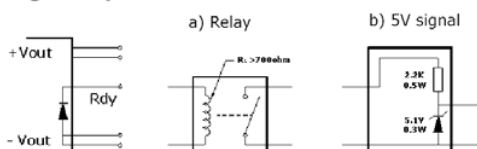
PHYSICAL CHARACTERISTICS

CASE SIZE	115 x 90 x 40mm 4.5 x 3.5 x 1.5inch
CASE MATERIAL	PLASTIC
WEIGHT	360 g

PIN ASSIGNMENT

PIN NO.	Designation	Description
1	RDY	DC OK output for relay (not connect except 24V model)
2	+	Positive output terminal
3	+	Positive output terminal
4	-	Negative output terminal
5	-	Negative output terminal
6	⊕	Ground this terminal to minimize high-frequency emissions
7	N	Input terminals (neutral conductor, no polarity at DC input)
8	L	Input terminals (phase conductor, no polarity at DC input)
	Vout Adj.	Potentiometer for Vout adjustment
	DC OK	Operation indicator LED

Fig. 1 Rdy connection



Derating:

