

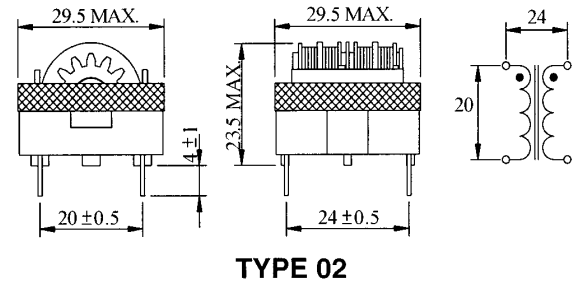
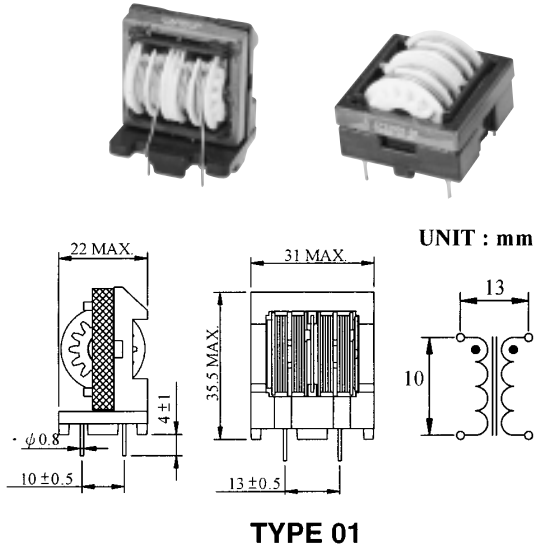
# COMMON MODE FILTERS

## CFS28XX CFS3501 SERIES

### Specifications

Model	Rated Current (A)	Inductance Min. (mH)	Resistance Dc Max. (ohm)
CFS28XX-01	3.0	3.3	0.12
CFS28XX-02	2.5	5.6	0.16
CFS28XX-03	2.0	8	0.16
CFS28XX-04	1.5	16	0.4
CFS28XX-05	1.0	39	0.65
CFS28XX-06	0.9	45	0.8
CFS28XX-07	0.8	60	1.0
CFS28XX-08	0.7	68	1.5
CFS28XX-09	0.6	96	2.0
CFS28XX-10	0.5	120	2.5

- Temperature rise : 45°C max.
- Inductance measurement condition : 1 KHz , at 25°C
- Withstanding voltage : 1.5KV , one minute between each winding.
- XX = TYPE 01 or 02



### Specifications

Model	Rated Current (A)	Inductance Min. (mH)	Resistance Dc Max. (ohm)
CFS3501-01	4.5	2.2	0.06
CFS3501-02	4.0	3.3	0.08
CFS3501-03	3.5	5.6	0.10
CFS3501-04	3.0	8.2	0.12
CFS3501-05	2.7	10	0.15
CFS3501-06	2.5	12	0.20
CFS3501-07	2.0	17	0.28
CFS3501-08	1.8	22	0.40
CFS3501-09	1.5	30	0.48

- Temperature rise : 45°C max.
- Inductance measurement condition : 1 KHz , at 25°C
- Withstanding voltage : 1.5KV , one minute between each winding.

