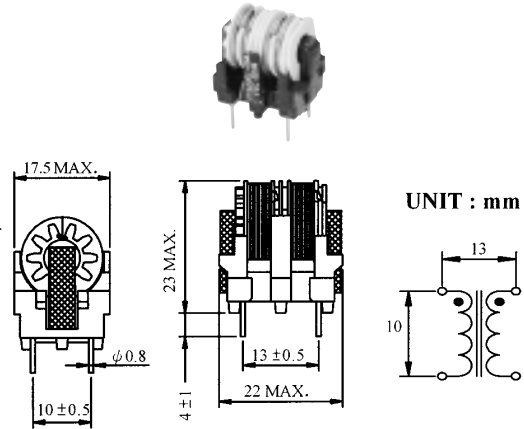


COMMON MODE FILTERS

CFS2001 CFS24XX SERIES

Specifications

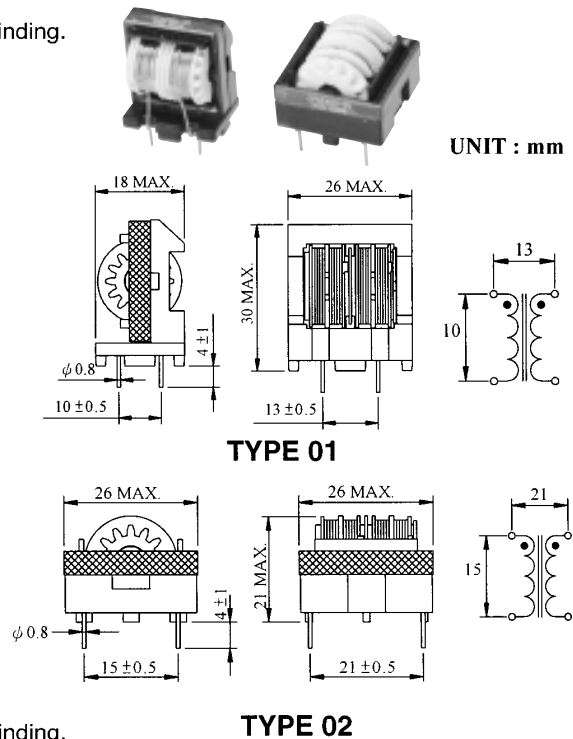
Model	Rated Current (A)	Inductance Min. (mH)	Resistance Dc Max. (ohm)
CFS2001-01	2.0	1.0	0.1
CFS2001-02	1.7	1.5	0.17
CFS2001-03	1.5	2.0	0.2
CFS2001-04	1.3	2.5	0.3
CFS2001-05	1.0	4.0	0.5
CFS2001-06	0.8	6.8	0.9
CFS2001-07	0.7	10	1.1
CFS2001-08	0.6	12	1.5
CFS2001-09	0.5	18	1.7
CFS2001-10	0.4	22	2.0
CFS2001-11	0.3	33	3.2



- Temperature rise : 45°C max.
- Inductance measurement condition : 1 KHz , at 25°C
- Withstanding voltage : 1.5KV , one minute between each winding.

Specifications

Model	Rated Current (A)	Inductance Min. (mH)	Resistance Dc Max. (ohm)
CFS24XX-01	2.0	2.7	0.15
CFS24XX-02	1.7	3.9	0.22
CFS24XX-03	1.3	6.8	0.4
CFS24XX-04	1.0	10	0.5
CFS24XX-05	0.8	20	0.9
CFS24XX-06	0.7	25	1.5
CFS24XX-07	0.6	33	1.6
CFS24XX-08	0.5	60	3.0
CFS24XX-09	0.4	80	3.8
CFS24XX-10	0.3	120	6.5



- Temperature rise : 45°C max.
- Inductance measurement condition : 1 KHz , at 25°C
- Withstanding voltage : 1.5KV , one minute between each winding.
- XX = TYPE 01 or 02