

LED EVACUATION SIGNS SERIES

LinkCom[®]
LinkCom Manufacturing Co., Ltd.

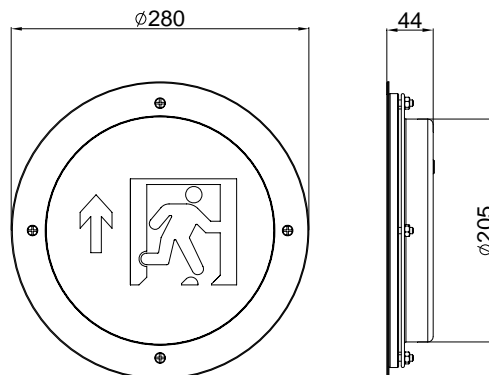


FEATURES

- ◆ Input: 187~240Vac
- ◆ High Operating ambient Temp: -10°C~+45°C
- ◆ MTBF: 18000 hrs/25°C
- ◆ Safety: GB17945-2000
- ◆ Dimension (mm): Φ *H: 280*44

Electrical Specifications @25°C		
Part No.		FSM000100004-O2
Input	Voltage range	187~240Vac
	Frequency range	50Hz
Power		3.5W MAX
Charge time		≤24H
Emergency time		≥90min
Standby electricity		Ni-Cd batteries
LAMP		LED
Safety		GB17945-2000
Material		Spray-painting base and stainless steel surface
Using surrounding		-10°C-45°C
Mounting		Underground lamps

DIMENSIONS [mm]



www.linkcom.com.tw For more information, please contact with :sales@linkcom.com.tw

Ver. A 03.1