

SMD Tuning Fork



Model: FSXLF

RoHS Compliant / PB Free

Rev. 10/29/2007

Page 1 of 2

http://www.foxonline.com/need_a_sample.htm

Need a Sample®

FEATURES

- Extremely Small Size
- Low Cost
- 1.4mm Height Max
- Tape and Reel (3,000 pcs. STD)

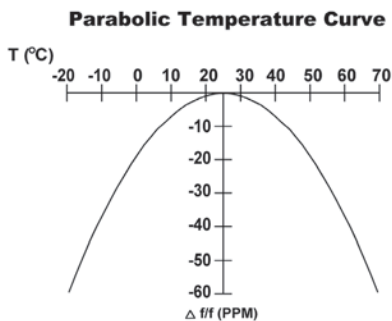
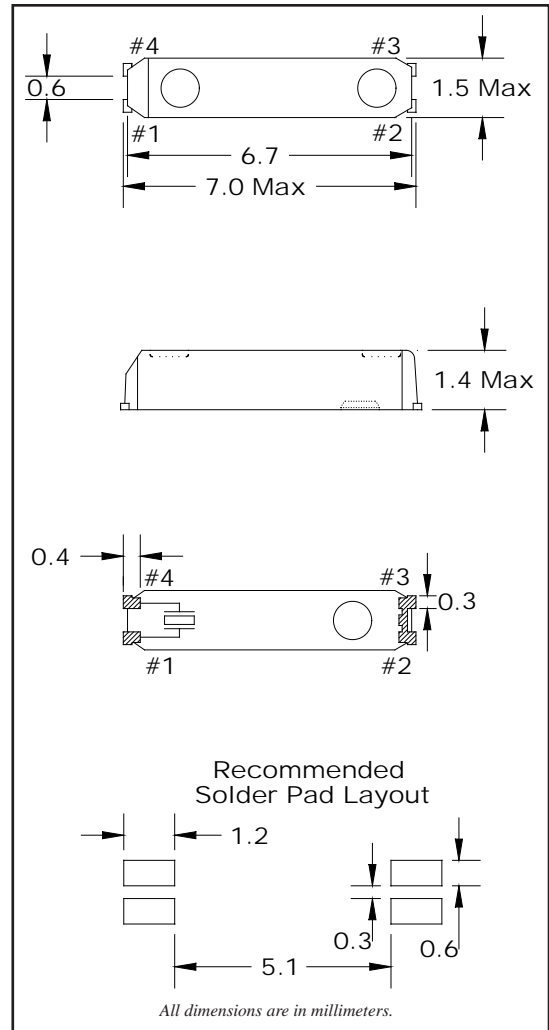
• PART NUMBER [Learn More](#) - Internet Required

Part Number	Model Number	Frequency Stability	Operating Temperature	Frequency
501LF-Frequency-xxxxx	FSXLF	-0.04PPM/($\Delta^{\circ}\text{C}$) ²	-40 ~ +85 °C	32.768 kHz

• STANDARD SPECIFICATIONS

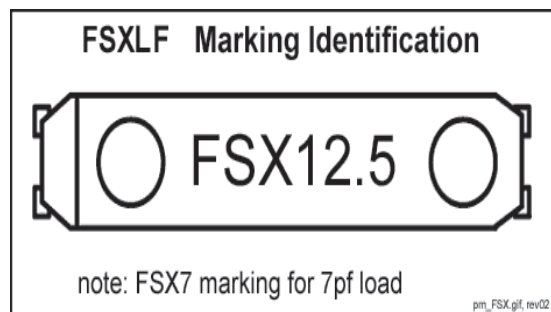
PARAMETERS	MAX (unless otherwise noted)
Frequency Range	32.768 kHz
Frequency Tolerance @ 25°C	±20 PPM
Frequency Stability, ref @ 25°C	-0.04PPM/($\Delta^{\circ}\text{C}$) ²
Temperature Range	
Turnover (T _O)	+20°C ~ +30°C
Operating (T _{OPR})	-40°C ~ +85°C
Storage (T _{STG})	-55°C ~ +125°C
Equivalent Series Resistance	65 kΩ
Load Capacitance (CL)	7 pF, 12.5pF Typ
Insulation Resistance @ 100VDC	500 MΩ Min
Drive Level	1.0 μW
Aging	±3 PPM
Termination Finish	Matte Sn

All specifications subject to change without notice.



To determine frequency stability, use parabolic curvature (K).
For example: What is stability at 45°C?

- 1) Change in T (°C) = 45-25 = 20°C
- 2) Change in frequency = -0.04 PPM * ($\Delta^{\circ}\text{C}$)²
= -0.04 PPM * (20)²
= -16.0 PPM



SMD Tuning Fork



Model: FSXLF

RoHS Compliant / PB Free

Rev. 10/29/2007

Page 2 of 2

http://www.foxonline.com/need_a_sample.htm



• TAPE SPECIFICATIONS (millimeters)							
MODEL	A	B	C	D	E	F	STD Reel QTY
FSXLF	∅1.5	4.0	8.0	7.5	16.0	1.6	3,000

• REEL SPECIFICATIONS (millimeters)							
MODEL	G	H	I	J	K	L	M
FSXLF	2.0	∅13	∅21	∅50	∅330	16.4	2.0

