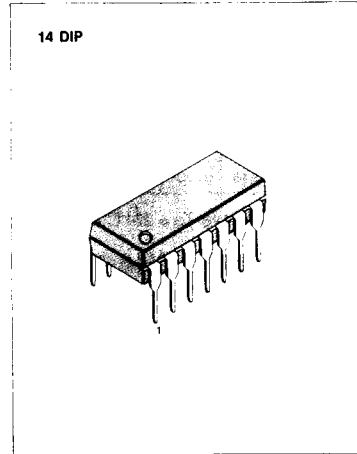


DUAL EQUALIZER AMPLIFIER WITH ALC

The KA7226 is a monolithic integrated circuit consisting of a dual equalize amplifier with ALC. It is suitable for use in the record/ playback amplifier of stereo radio cassettes.

FEATURES

- Dual equalizer amplifier with ALC circuit
- Built-in buffer amplifier
- Not necessary input coupling capacitor
- Quick stabilization after power on
- High output voltage: $V_o = 1.7V$ (Typ) at THD = 1%
- Wide operating supply voltage range: $V_{cc} = 3V \sim 16V$



3

BLOCK DIAGRAM

ORDERING INFORMATION

Device	Package	Operating Temperature
KA7226	14 DIP	-25°C ~ +75°C

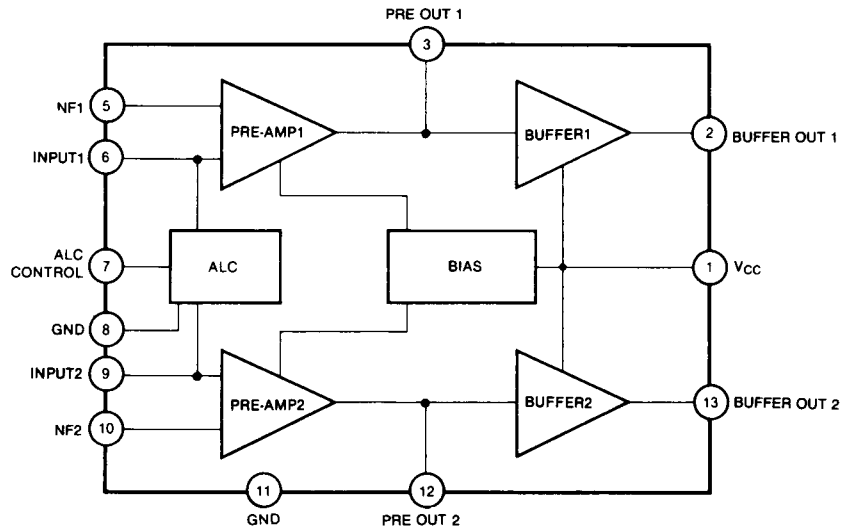


Fig. 1

ABSOLUTE MAXIMUM RATINGS ($T_a = 25^\circ\text{C}$)

Characteristic	Symbol	Value	Unit
Supply Voltage	V_{CC}	16	V
Power Dissipation	P_D	600	mW
Operating Temperature	T_{OPR}	-25 ~ +75	$^\circ\text{C}$
Storage Temperature	T_{STG}	-40 ~ +125	$^\circ\text{C}$

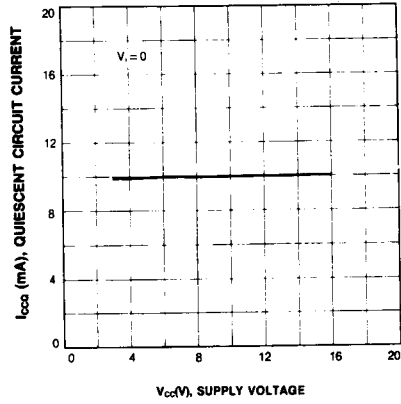
* : Derated above $T_a = 25^\circ\text{C}$ in the propotion of $5\text{mW}/^\circ\text{C}$.

ELECTRICAL CHARACTERISTICS

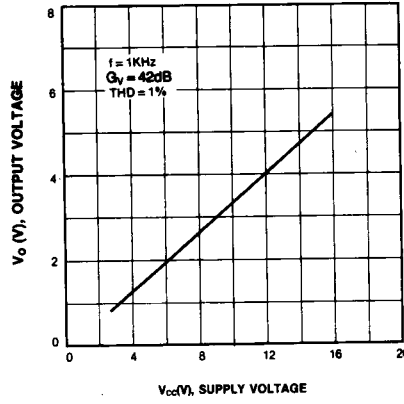
($T_a = 25^\circ\text{C}$, $V_{CC} = 5\text{V}$, $f = 1\text{KHz}$, unless otherwise specified)

Characteristic	Symbol	Test Conditions	Min	Typ	Max	Unit
Quiescent Circuit Current	I_{CCQ}	$V_I = 0$	6	10	15	mA
ALC Range	ΔV_{ALC}	$V_I = -60\text{dBm}$	35	40		dB
ALC Voltage	$V_{O(ALC)}$	$V_I = -20\text{dBm}$	-3	-1	1	dBm
ALC Distortion	THD_{ALC}	$V_I = -20\text{dBm}$		0.6	2.0	%
ALC Balance	CB_{ALC}	$V_I = -20\text{dBm}$		0	2	dB
Output Voltage	V_O	$THD = 1\%$	1.3	1.7		V
Cross Talk	CT	$R_G = 2.2\text{K}\Omega$ $V_O = 0\text{dBm}$	40	60		dB
Open Loop Voltage Gain	G_{VO}	$V_I = -80\text{dBm}$	67	75		dB
Equivalent Input Noise Voltage	V_{NI}	$R_G = 2.2\text{K}\Omega$,		1.3	2.7	μV

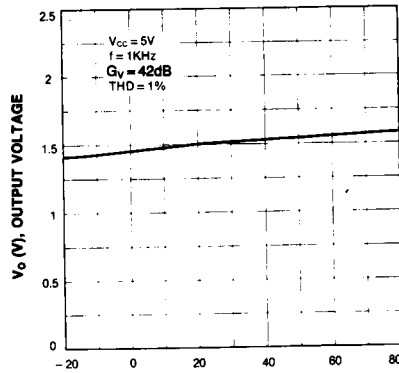
QUIESCENT CIRCUIT CURRENT-SUPPLY VOLTAGE



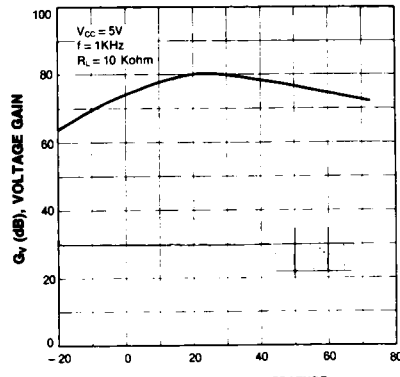
OUTPUT VOLTAGE-SUPPLY VOLTAGE



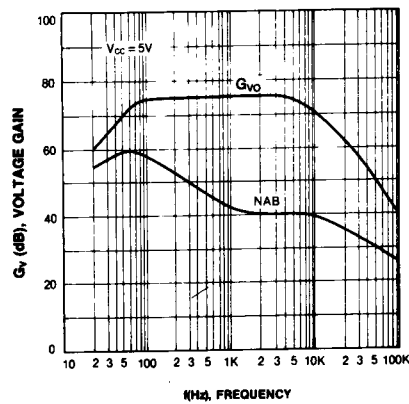
OUTPUT VOLTAGE-AMBIENT TEMPERATURE



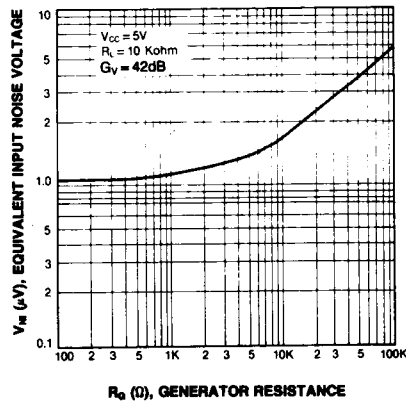
VOLTAGE GAIN-AMBIENT TEMPERATURE

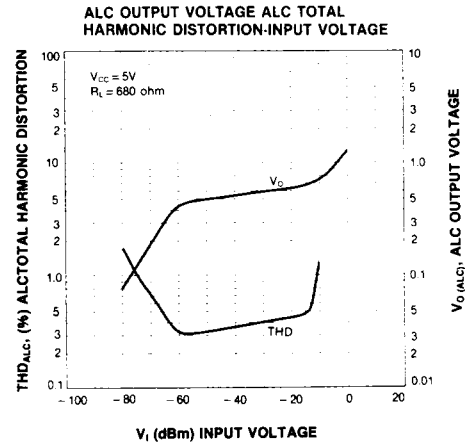
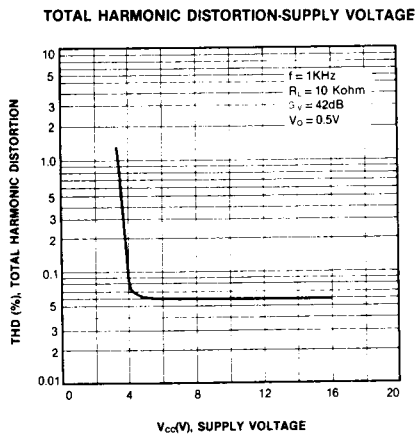
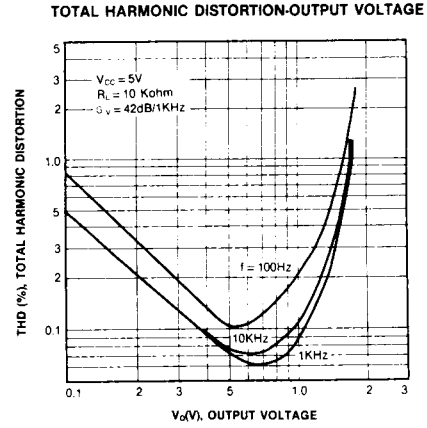
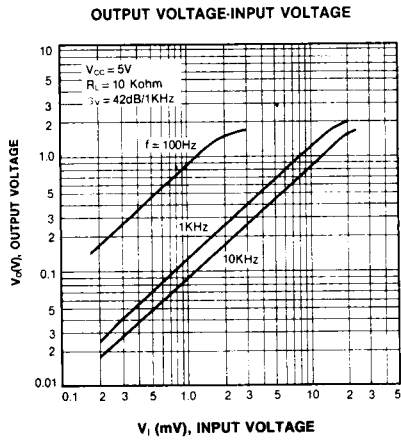


VOLTAGE GAIN-FREQUENCY



EQUIVALENT INPUT NOISE VOLTAGE-GENERATOR RESISTANCE





APPLICATION CIRCUIT

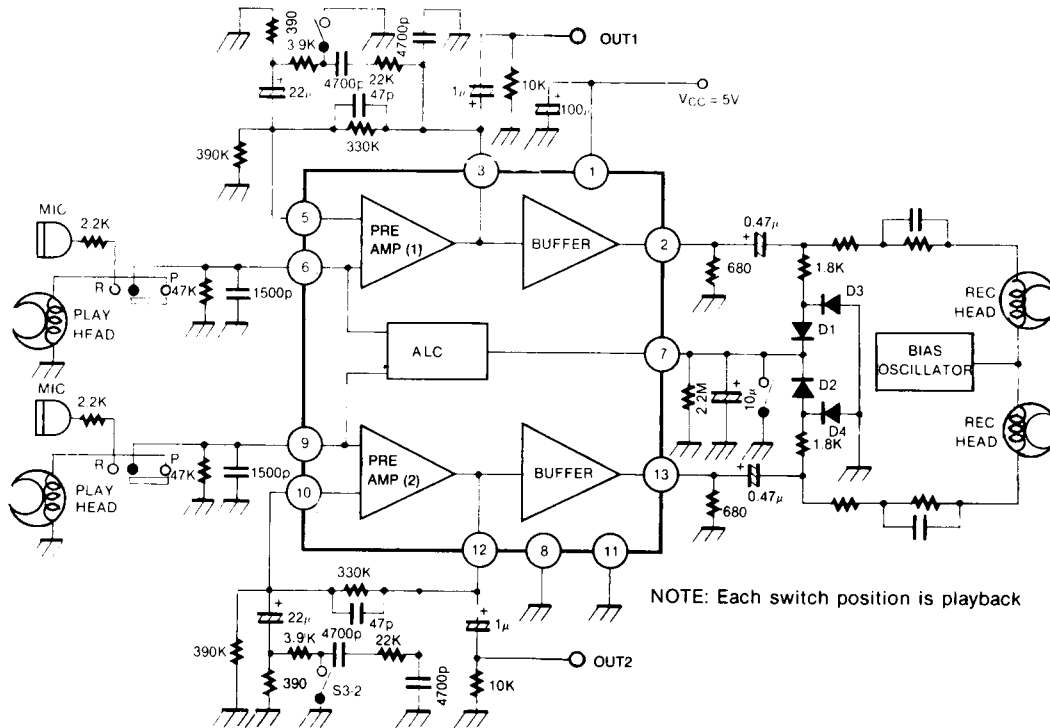


Fig. 3

Copyright (c) 1988-93 Reed Publishing (USA) Inc.
ALL RIGHTS RESERVED.

THIS IMAGE DATABASE HAS BEEN CREATED BY CAHNERS TECHNICAL INFORMATION SERVICE, A DIVISION OF REED PUBLISHING (USA), AND IS PROPRIETARY TO CAHNERS TECHNICAL INFORMATION SERVICE. NO PART OF THIS DATABASE MAY BE DUPLICATED IN HARD COPY OR MACHINE READABLE FORM WITHOUT PRIOR WRITTEN AUTHORIZATION FROM CAHNERS TECHNICAL INFORMATION SERVICE, EXCEPT THAT LICENSEE IS GRANTED A LIMITED, NON-EXCLUSIVE LICENSE TO REPRODUCE LIMITED PORTIONS OF THE DATABASE FOR LICENSEE'S INTERNAL USE PROVIDED THAT A SUITABLE NOTICE OF COPYRIGHT IS INCLUDED ON ALL COPIES. UNDER NO CIRCUMSTANCES MAY COPIES BE MADE FOR RESALE IN ANY MEDIA.