

## QUAD CHANNEL HIGH SIDE DRIVER

**Table 1. General Features**

| TYPE    | R <sub>DS(on)</sub> (*) | I <sub>lim</sub> | V <sub>CC</sub> |
|---------|-------------------------|------------------|-----------------|
| VNQ600P | 35mΩ                    | 25A              | 36 V            |

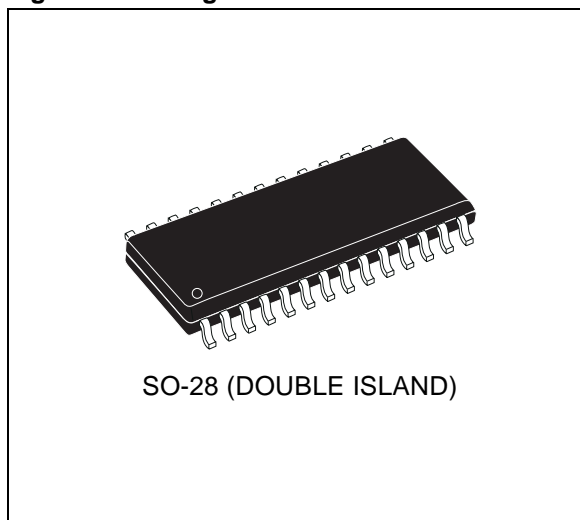
(\*) Per each channel

- DC SHORT CIRCUIT CURRENT: 22A
- CMOS COMPATIBLE INPUTS
- PROPORTIONAL LOAD CURRENT SENSE
- UNDERVOLTAGE & OVERVOLTAGE SHUT-DOWN
- OVERVOLTAGE CLAMP
- THERMAL SHUT-DOWN
- CURRENT LIMITATION
- VERY LOW STAND-BY POWER DISSIPATION
- PROTECTION AGAINST:
  - LOSS OF GROUND & LOSS OF V<sub>CC</sub>
- REVERSE BATTERY PROTECTION (\*\*)

### DESCRIPTION

The VNQ600P is a quad HSD formed by assembling two VND600 chips in the same SO-28 package. The VND600 is a monolithic device designed in STMicroelectronics VIPower M0-3 Technology.

**Figure 1. Package**



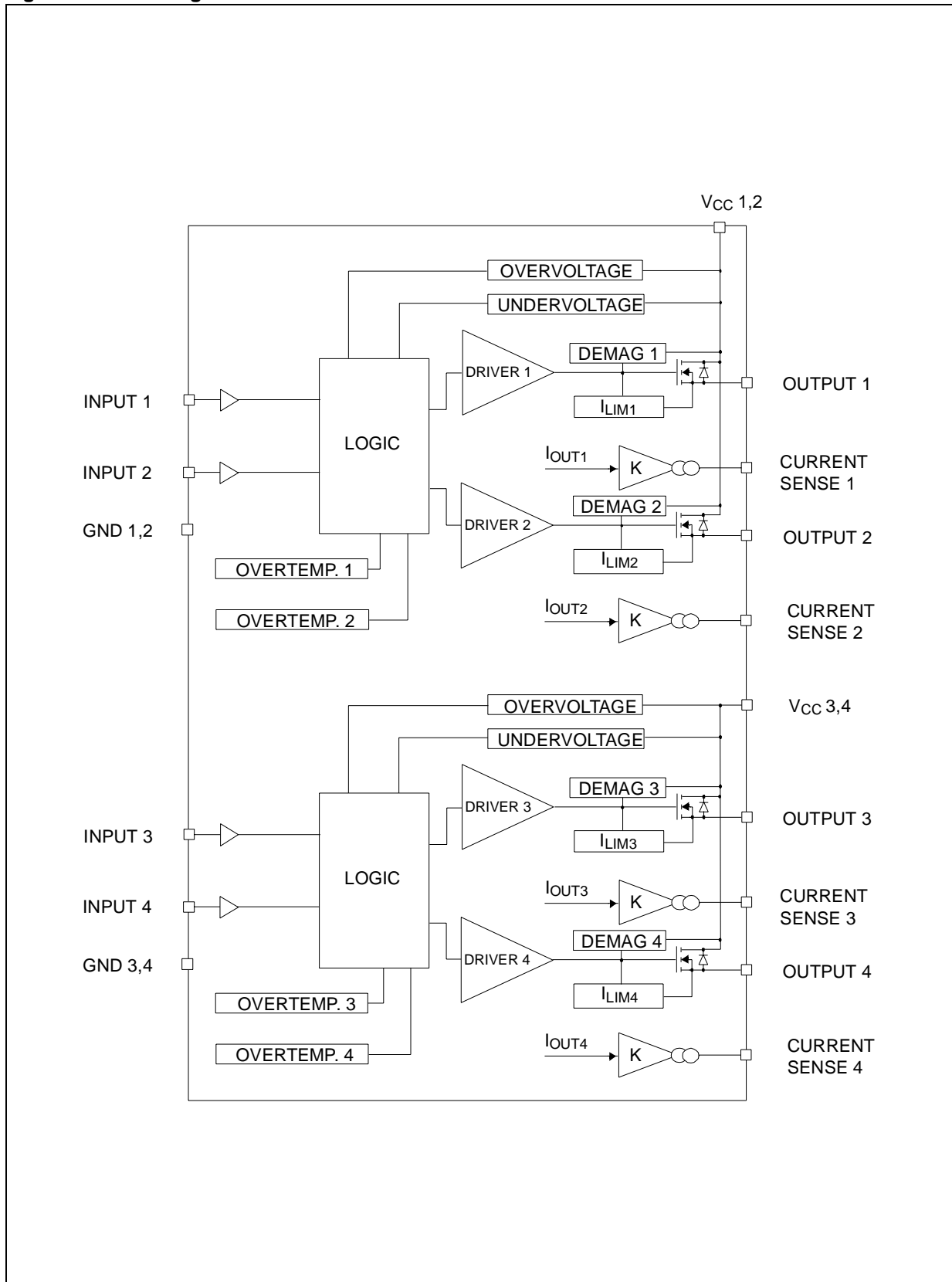
The VNQ600P is intended for driving any type of multiple loads with one side connected to ground. This device has four independent channels and four analog sense outputs which deliver currents proportional to the outputs currents. Active current limitation combined with thermal shut-down and automatic restart protect the device against overload. Device automatically turns off in case of ground pin disconnection.

**Table 2. Order Codes**

| Package | Tube    | Tape and Reel |
|---------|---------|---------------|
| SO-28   | VNQ600P | VNQ600P13TR   |

Note: (\*\*) See application schematic at page 11.

Figure 2. Block Diagram



**Table 3. Absolute Maximum Ratings**

| Symbol               | Parameter   | Value              | Unit   |
|----------------------|---|--------------------|--------|
| V <sub>CC</sub>      | Supply voltage (continuous)   | 41                 | V      |
| -V <sub>CC</sub>     | Reverse supply voltage (continuous)   | -0.3               | V      |
| I <sub>OUT</sub>     | Output current (continuous), for each channel   | 15                 | A      |
| I <sub>R</sub>       | Reverse output current (continuous), for each channel   | -15                | A      |
| I <sub>IN</sub>      | Input current   | +/- 10             | mA     |
| V <sub>CSSENSE</sub> | Current sense maximum voltage   | -3<br>+15          | V<br>V |
| I <sub>GND</sub>     | Ground current at T <sub>pins</sub> ≤ 25°C (continuous)   | -200               | mA     |
| V <sub>ESD</sub>     | Electrostatic Discharge (Human Body Model:<br>R=1.5KΩ; C=100pF)   |                    |        |
|                      | - INPUT   | 4000               | V      |
|                      | - CURRENT SENSE   | 2000               | V      |
|                      | - OUTPUT  | 5000               | V      |
|                      | - V <sub>CC</sub>   | 5000               | V      |
| E <sub>MAX</sub>     | Maximum Switching Energy<br>(L=0.11mH; R <sub>L</sub> =0Ω; V <sub>bat</sub> =13.5V; T <sub>jstart</sub> =150°C;<br>I <sub>L</sub> =40A) | 126                | mJ     |
| P <sub>tot</sub>     | Power dissipation (per island) at T <sub>lead</sub> =25°C   | 6.25               | W      |
| T <sub>j</sub>       | Junction operating temperature  | Internally Limited | °C     |
| T <sub>stg</sub>     | Storage temperature   | -55 to 150         | °C     |

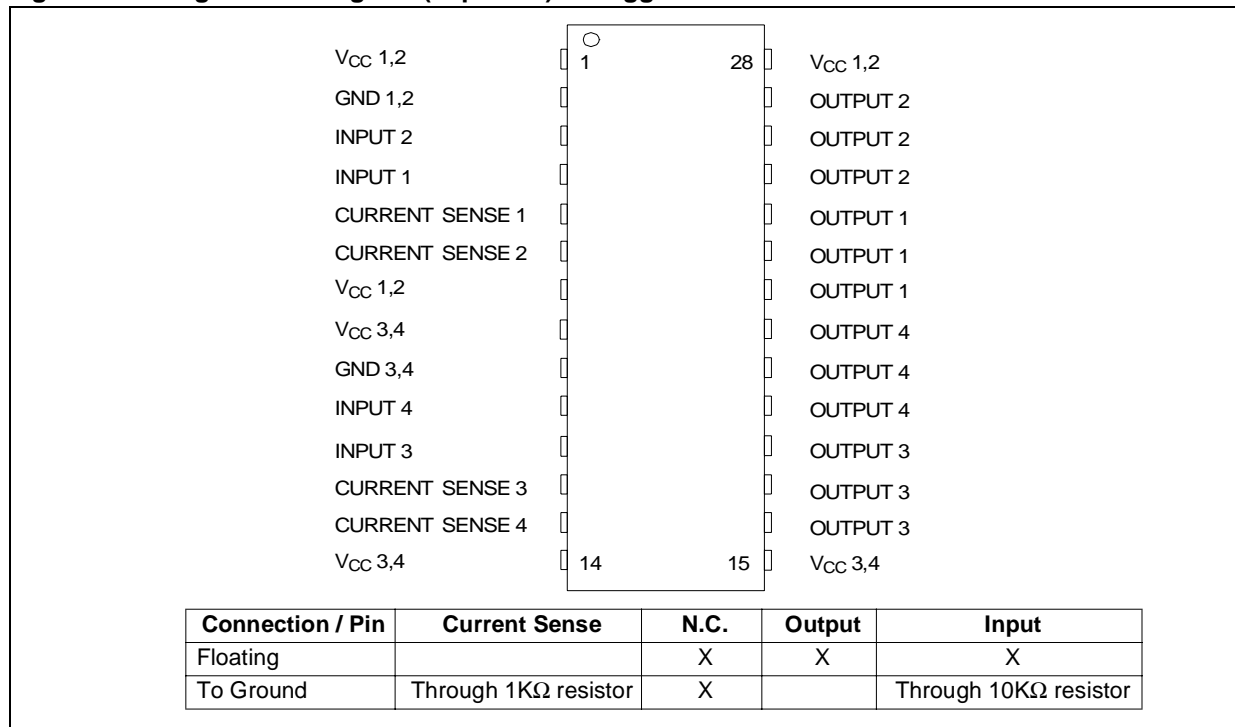
**Figure 3. Configuration Diagram (Top View) & Suggested Connections for Unused and N.C. Pins**

Figure 4. Current and Voltage Conventions

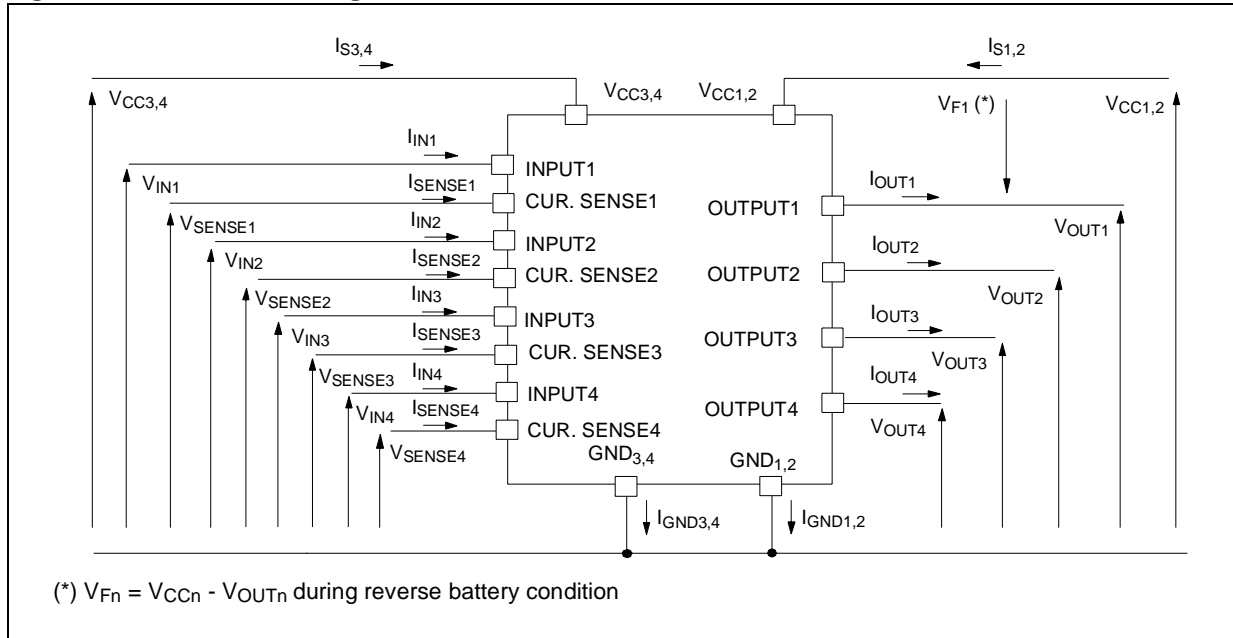


Table 4. Thermal Data

| Symbol         | Parameter  | Value                               | Unit |
|----------------|--|-------------------------------------|------|
| $R_{thj-case}$ | Thermal resistance junction-case (MAX)                   | 15                                  | °C/W |
| $R_{thj-amb}$  | Thermal resistance junction-ambient (one chip ON) (MAX)  | 60 <sup>(1)</sup> 44 <sup>(2)</sup> | °C/W |
| $R_{thj-amb}$  | Thermal resistance junction-ambient (two chips ON) (MAX) | 46 <sup>(1)</sup> 31 <sup>(2)</sup> | °C/W |

Note: 1. When mounted on a standard single-sided FR-4 board with 0.5cm<sup>2</sup> of Cu (at least 35µm thick) connected to all V<sub>CC</sub> pins. Horizontal mounting and no artificial air flow.

Note: 2. When mounted on a standard single-sided FR-4 board with 6cm<sup>2</sup> of Cu (at least 35µm thick) connected to all V<sub>CC</sub> pins. Horizontal mounting and no artificial air flow.

**ELECTRICAL CHARACTERISTICS** ( $8V < V_{CC} < 36V$ ;  $-40^{\circ}C < T_j < 150^{\circ}C$  unless otherwise specified)

(Per each channel)

**Table 5. Power**

| Symbol         | Parameter                | Test Conditions   | Min. | Typ. | Max. | Unit       |
|----------------|--------------------------|---|------|------|------|------------|
| $V_{CC}$ (**)  | Operating supply voltage |   | 5.5  | 13   | 36   | V          |
| $V_{USD}$ (**) | Undervoltage shut-down   |   | 3    | 4    | 5.5  | V          |
| $V_{OV}$ (**)  | Overvoltage shut-down    |   | 36   |      |      | V          |
| $R_{ON}$       | On state resistance      | $I_{OUT1,2,3,4}=5A$ ; $T_j=25^{\circ}C$   |      |      | 35   | m $\Omega$ |
|                |                          | $I_{OUT1,2,3,4}=5A$ ; $T_j=150^{\circ}C$  |      |      | 70   | m $\Omega$ |
|                |                          | $I_{OUT1,2,3,4}=3A$ ; $V_{CC}=6V$   |      |      | 120  | m $\Omega$ |
| $V_{clamp}$    | Clamp Voltage            | $I_{CC}=20mA$ (see note 3)  | 41   | 48   | 55   | V          |
| $I_S$ (**)     | Supply current           | Off State; $V_{CC}=13V$ ; $V_{IN}=V_{OUT}=0V$                                   |      | 12   | 40   | $\mu A$    |
|                |                          | Off State; $V_{CC}=13V$ ; $V_{IN}=V_{OUT}=0V$ ;<br>$T_j=25^{\circ}C$            |      | 12   | 25   | $\mu A$    |
|                |                          | On State; $V_{CC}=13V$ ; $V_{IN}=5V$ ; $I_{OUT}=0A$ ;<br>$R_{SENSE}=3.9K\Omega$ |      |      | 6    | mA         |
| $I_{L(off1)}$  | Off state output current | $V_{IN}=V_{OUT}=0V$   | 0    |      | 50   | $\mu A$    |
| $I_{L(off2)}$  | Off State Output Current | $V_{IN}=0V$ ; $V_{OUT}=3.5V$  | -75  |      | 0    | $\mu A$    |
| $I_{L(off3)}$  | Off State Output Current | $V_{IN}=V_{OUT}=0V$ ; $V_{CC}=13V$ ; $T_j=125^{\circ}C$                         |      |      | 5    | $\mu A$    |
| $I_{L(off4)}$  | Off State Output Current | $V_{IN}=V_{OUT}=0V$ ; $V_{CC}=13V$ ; $T_j=25^{\circ}C$                          |      |      | 3    | $\mu A$    |

Note: 3.  $V_{clamp}$  and  $V_{OV}$  are correlated. Typical difference is 5V.

Note: (\*\*) Per island.

**Table 6. Switching** ( $V_{CC} = 13V$ )

| Symbol                | Parameter              | Test Conditions                               | Min. | Typ.                 | Max. | Unit       |
|-----------------------|------------------------|---|------|----------------------|------|------------|
| $t_{d(on)}$           | Turn-on delay time     | $R_L=2.6\Omega$ channels 1,2,3,4 (see fig. 1) |      | 40                   |      | $\mu s$    |
| $t_{d(off)}$          | Turn-off delay time    | $R_L=2.6\Omega$ channels 1,2,3,4 (see fig. 1) |      | 40                   |      | $\mu s$    |
| $(dV_{OUT}/dt)_{on}$  | Turn-on voltage slope  | $R_L=2.6\Omega$ channels 1,2,3,4 (see fig. 1) |      | See relative diagram |      | V/ $\mu s$ |
| $(dV_{OUT}/dt)_{off}$ | Turn-off voltage slope | $R_L=2.6\Omega$ channels 1,2,3,4 (see fig. 1) |      | See relative diagram |      | V/ $\mu s$ |

**Table 7.  $V_{CC}$  - Output Diode**

| Symbol | Parameter          | Test Conditions                      | Min | Typ | Max | Unit |
|--------|--------------------|--------------------------------------|-----|-----|-----|------|
| $V_F$  | Forward on Voltage | $-I_{OUT}=2.3A$ ; $T_j=150^{\circ}C$ |     |     | 0.6 | V    |

**ELECTRICAL CHARACTERISTICS** (continued)

**Table 8. Logic Input**

| Symbol               | Parameter                | Test Conditions                                | Min. | Typ.        | Max. | Unit   |
|----------------------|--------------------------|--|------|-------------|------|--------|
| V <sub>IL</sub>      | Low level input voltage  |  |      |             | 1.25 | V      |
| V <sub>IH</sub>      | High level input voltage |  | 3.25 |             |      | V      |
| V <sub>I(hyst)</sub> | Input hysteresis voltage |  | 0.5  |             |      | V      |
| I <sub>IL</sub>      | Input current            | V <sub>IN</sub> =1.5V                          | 1    |             |      | μA     |
| I <sub>IN</sub>      | Input current            | V <sub>IN</sub> =3.5V                          |      |             | 10   | μA     |
| V <sub>ICL</sub>     | Input clamp voltage      | I <sub>IN</sub> =1mA<br>I <sub>IN</sub> = -1mA | 6    | 6.8<br>-0.7 | 8    | V<br>V |

**Table 9. Protections** (See note 4)

| Symbol             | Parameter                      | Test Conditions   | Min.                | Typ.                | Max.                | Unit   |
|--------------------|--------------------------------|---|---------------------|---------------------|---------------------|--------|
| I <sub>lim</sub>   | DC Short circuit current       | V <sub>CC</sub> =13V<br>5.5V<V <sub>CC</sub> <36V       | 25                  | 40                  | 70<br>70            | A<br>A |
| T <sub>TSD</sub>   | Thermal shut-down temperature  |   | 150                 | 175                 | 200                 | °C     |
| T <sub>R</sub>     | Thermal reset temperature      |   | 135                 |                     |                     | °C     |
| T <sub>hyst</sub>  | Thermal hysteresis             |   | 7                   | 15                  |                     | °C     |
| V <sub>demag</sub> | Turn-off output voltage clamp  | I <sub>OUT</sub> =2A; L=6mH                             | V <sub>CC</sub> -41 | V <sub>CC</sub> -48 | V <sub>CC</sub> -55 | V      |
| V <sub>ON</sub>    | Output voltage drop limitation | I <sub>OUT</sub> =0.5A; T <sub>j</sub> = -40°C...+150°C |                     | 50                  |                     | mV     |

Note: 4. To ensure long term reliability under heavy overload or short circuit conditions, protection and related diagnostic signals must be used together with a proper software strategy. If the device is subjected to abnormal conditions, this software must limit the duration and number of activation cycles.

## ELECTRICAL CHARACTERISTICS (continued)

Table 10. CURRENT SENSE ( $9V \leq V_{CC} \leq 16V$ ) (See Figure 5)

| Symbol         | Parameter  | Test Conditions  | Min          | Typ          | Max          | Unit     |
|----------------|--|--|--------------|--------------|--------------|----------|
| $K_1$          | $I_{OUT}/I_{SENSE}$  | $I_{OUT1}$ or $I_{OUT2}=0.5A$ ; $V_{SENSE}=0.5V$ ; other channels open; $T_j = -40^\circ C \dots 150^\circ C$                    | 3300         | 4400         | 6000         |          |
| $dK_1/K_1$     | Current Sense Ratio Drift                                  | $I_{OUT1}$ or $I_{OUT2}=0.5A$ ; $V_{SENSE}=0.5V$ ; other channels open; $T_j = -40^\circ C \dots 150^\circ C$                    | -10          |              | +10          | %        |
| $K_2$          | $I_{OUT}/I_{SENSE}$  | $I_{OUT1}$ or $I_{OUT2}=5A$ ; $V_{SENSE}=4V$ ; other channels open; $T_j = -40^\circ C$<br>$T_j = 25^\circ C \dots 150^\circ C$  | 4200<br>4400 | 4900<br>4900 | 6000<br>5750 |          |
| $dK_2/K_2$     | Current Sense Ratio Drift                                  | $I_{OUT1}$ or $I_{OUT2}=5A$ ; $V_{SENSE}=4V$ ; other channels open; $T_j = -40^\circ C \dots 150^\circ C$                        | -6           |              | +6           | %        |
| $K_3$          | $I_{OUT}/I_{SENSE}$  | $I_{OUT1}$ or $I_{OUT2}=15A$ ; $V_{SENSE}=4V$ ; other channels open; $T_j = -40^\circ C$<br>$T_j = 25^\circ C \dots 150^\circ C$ | 4200<br>4400 | 4900<br>4900 | 5500<br>5250 |          |
| $dK_3/K_3$     | Current Sense Ratio Drift                                  | $I_{OUT1}$ or $I_{OUT2}=15A$ ; $V_{SENSE}=4V$ ; other channels open; $T_j = -40^\circ C \dots 150^\circ C$                       | -6           |              | +6           | %        |
| $V_{SENSE1,2}$ | Max analog sense output voltage                            | $V_{CC}=5.5V$ ; $I_{OUT1,2}=2.5A$ ; $R_{SENSE}=10k\Omega$<br>$V_{CC}>8V$ , $I_{OUT1,2}=5A$ ; $R_{SENSE}=10k\Omega$               | 2<br>4       |              |              | V<br>V   |
| $V_{SENSEH}$   | Analog sense output voltage in overtemperature condition   | $V_{CC}=13V$ ; $R_{SENSE}=3.9k\Omega$  |              | 5.5          |              | V        |
| $R_{VSENSEH}$  | Analog Sense Output Impedance in Overtemperature Condition | $V_{CC}=13V$ ; $T_j > T_{TSD}$ ; All channels open   |              | 400          |              | $\Omega$ |
| $t_{DSENSE}$   | Current sense delay response                               | to 90% $I_{SENSE}$ (see note 5)  |              |              | 500          | $\mu s$  |

Note: 5. Current sense signal delay after positive input slope.

Figure 5.  $I_{OUT}/I_{SENSE}$  versus  $I_{OUT}$

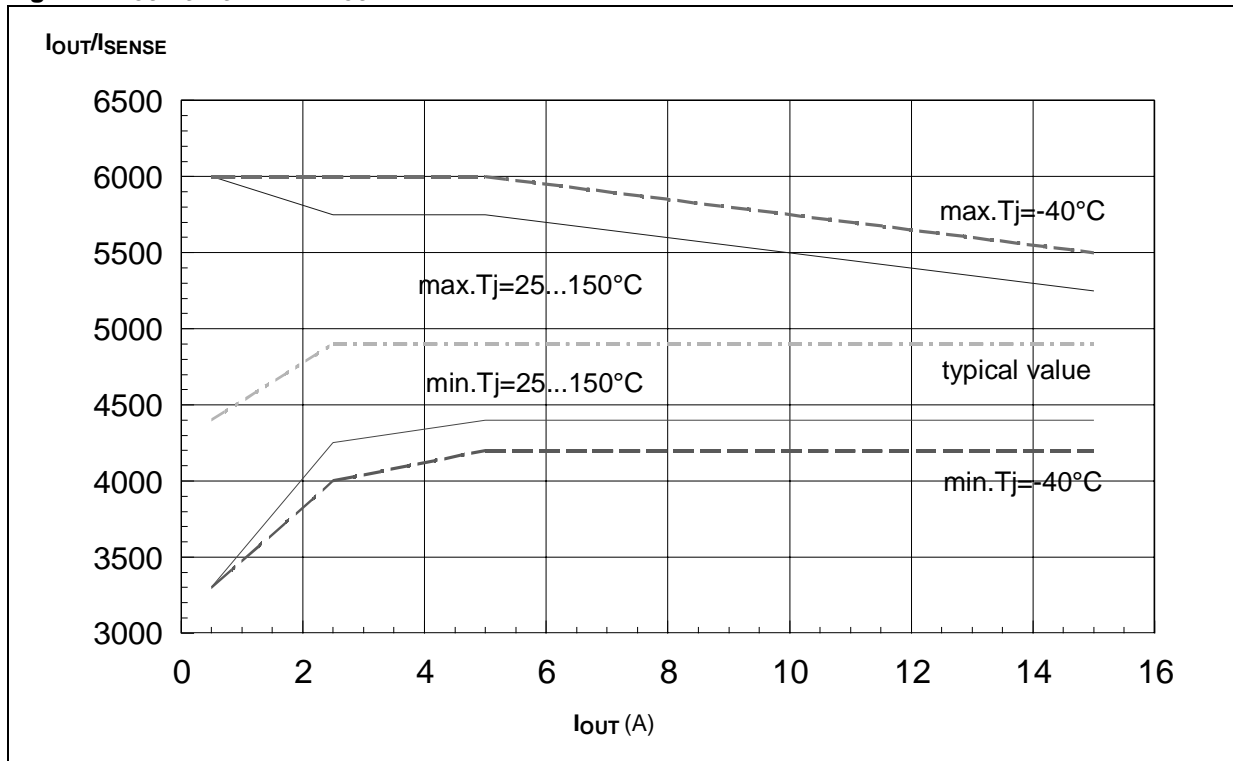


Figure 6. Switching Characteristics (Resistive load  $R_L = 2.6\Omega$ )

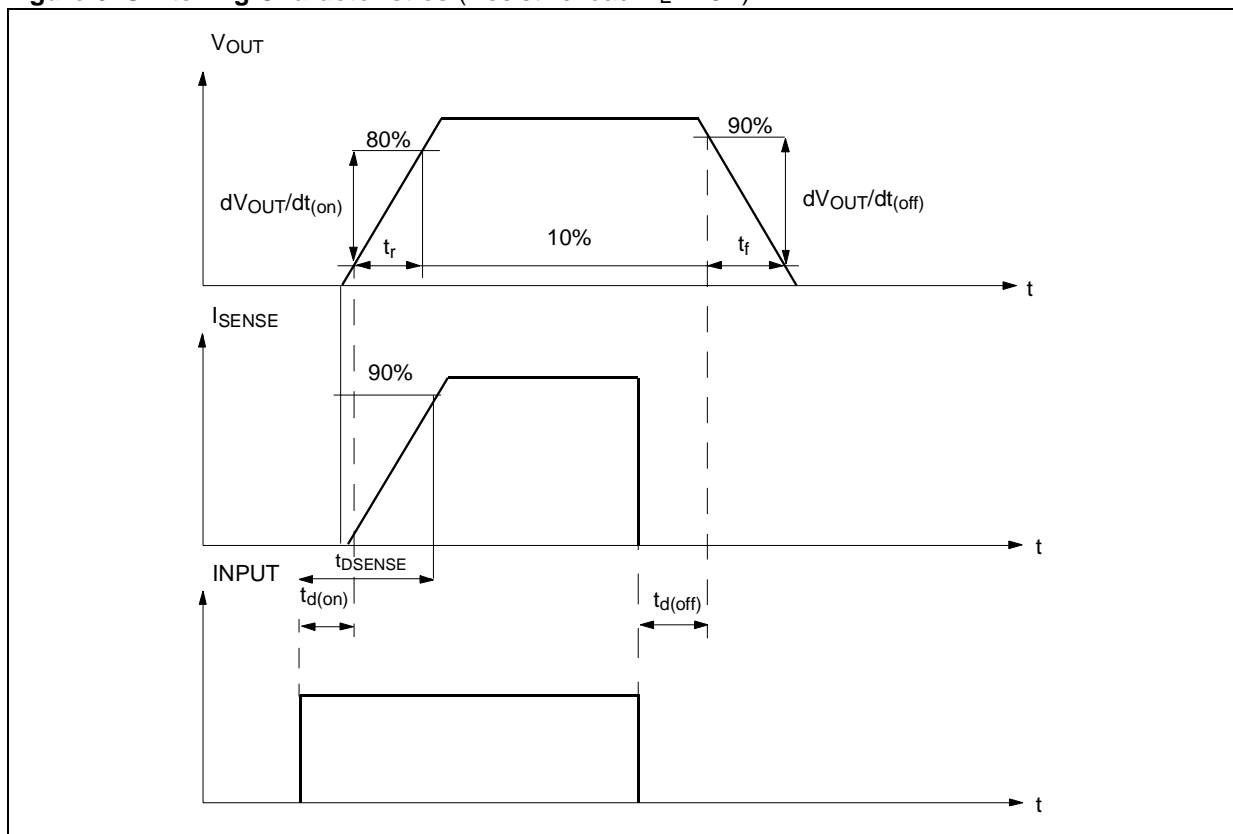




Table 11. Truth Table (Per channel)

| CONDITIONS                       | INPUT | OUTPUT | SENSE   |
|----------------------------------|-------|--------|---|
| Normal operation                 | L     | L      | 0   |
|                                  | H     | H      | Nominal   |
| Overtemperature                  | L     | L      | 0   |
|                                  | H     | L      | V <sub>SENSEH</sub>                                     |
| Undervoltage                     | L     | L      | 0   |
|                                  | H     | L      | 0   |
| Overvoltage                      | L     | L      | 0   |
|                                  | H     | L      | 0   |
| Short circuit to GND             | L     | L      | 0   |
|                                  | H     | L      | (T <sub>J</sub> <T <sub>TSD</sub> ) 0                   |
|                                  | H     | L      | (T <sub>J</sub> >T <sub>TSD</sub> ) V <sub>SENSEH</sub> |
| Short circuit to V <sub>CC</sub> | L     | H      | 0   |
|                                  | H     | H      | < Nominal   |
| Negative output voltage clamp    | L     | L      | 0   |

Table 12. Electrical Transient Requirements on V<sub>CC</sub> Pin

| ISO T/R 7637/1<br>Test Pulse | TEST LEVELS |         |         |         | Delays and<br>Impedance |
|------------------------------|-------------|---------|---------|---------|-------------------------|
|                              | I           | II      | III     | IV      |                         |
| 1                            | -25 V       | -50 V   | -75 V   | -100 V  | 2 ms 10 Ω               |
| 2                            | +25 V       | +50 V   | +75 V   | +100 V  | 0.2 ms 10 Ω             |
| 3a                           | -25 V       | -50 V   | -100 V  | -150 V  | 0.1 μs 50 Ω             |
| 3b                           | +25 V       | +50 V   | +75 V   | +100 V  | 0.1 μs 50 Ω             |
| 4                            | -4 V        | -5 V    | -6 V    | -7 V    | 100 ms, 0.01 Ω          |
| 5                            | +26.5 V     | +46.5 V | +66.5 V | +86.5 V | 400 ms, 2 Ω             |

| ISO T/R 7637/1<br>Test Pulse | TEST LEVELS RESULTS |    |     |    |
|------------------------------|---------------------|----|-----|----|
|                              | I                   | II | III | IV |
| 1                            | C                   | C  | C   | C  |
| 2                            | C                   | C  | C   | C  |
| 3a                           | C                   | C  | C   | C  |
| 3b                           | C                   | C  | C   | C  |
| 4                            | C                   | C  | C   | C  |
| 5                            | C                   | E  | E   | E  |

| CLASS | CONTENTS  |
|-------|---|
| C     | All functions of the device are performed as designed after exposure to disturbance.  |
| E     | One or more functions of the device is not performed as designed after exposure to disturbance and cannot be returned to proper operation without replacing the device. |

Figure 7. Waveforms (Per each chip)

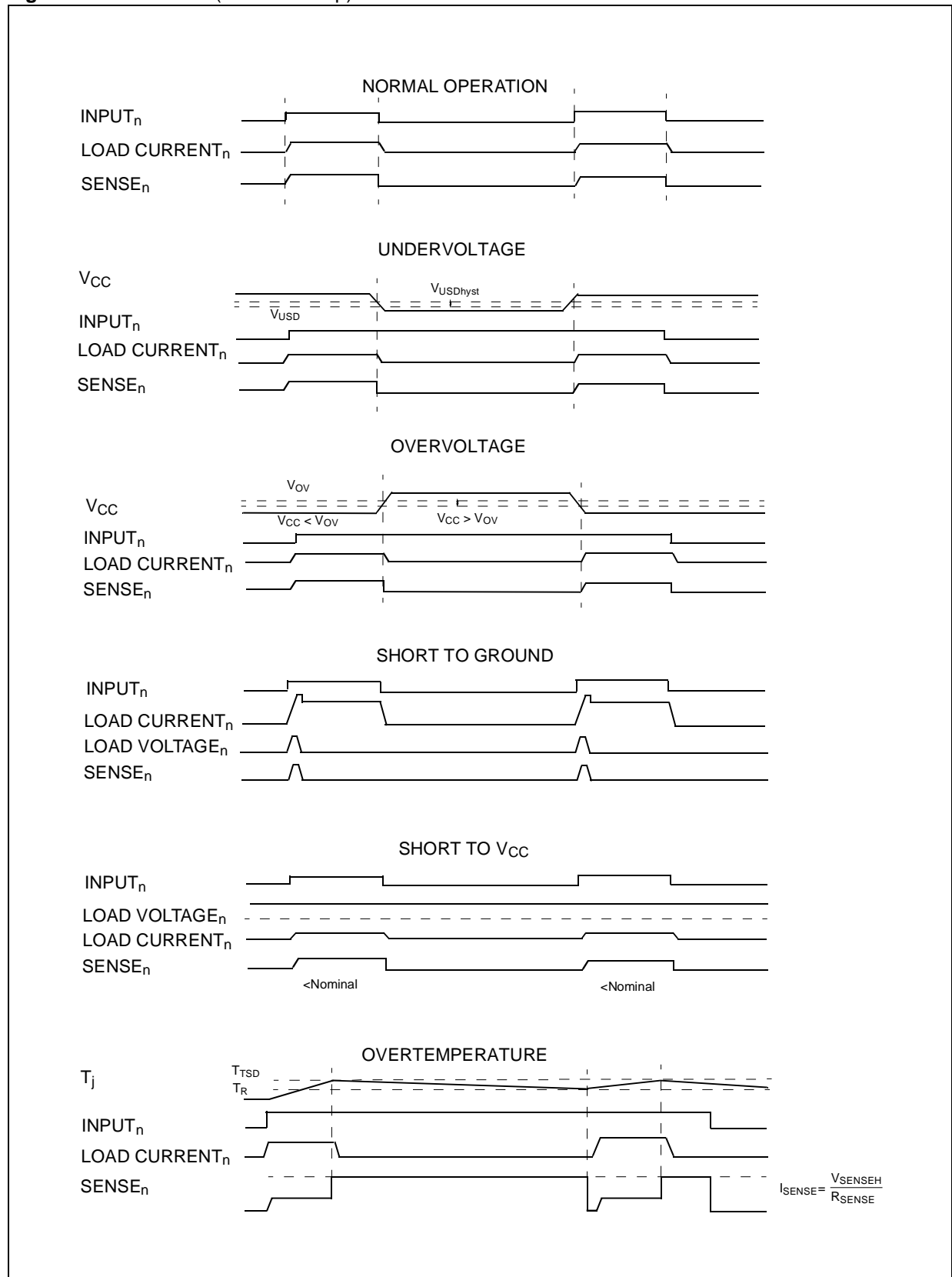
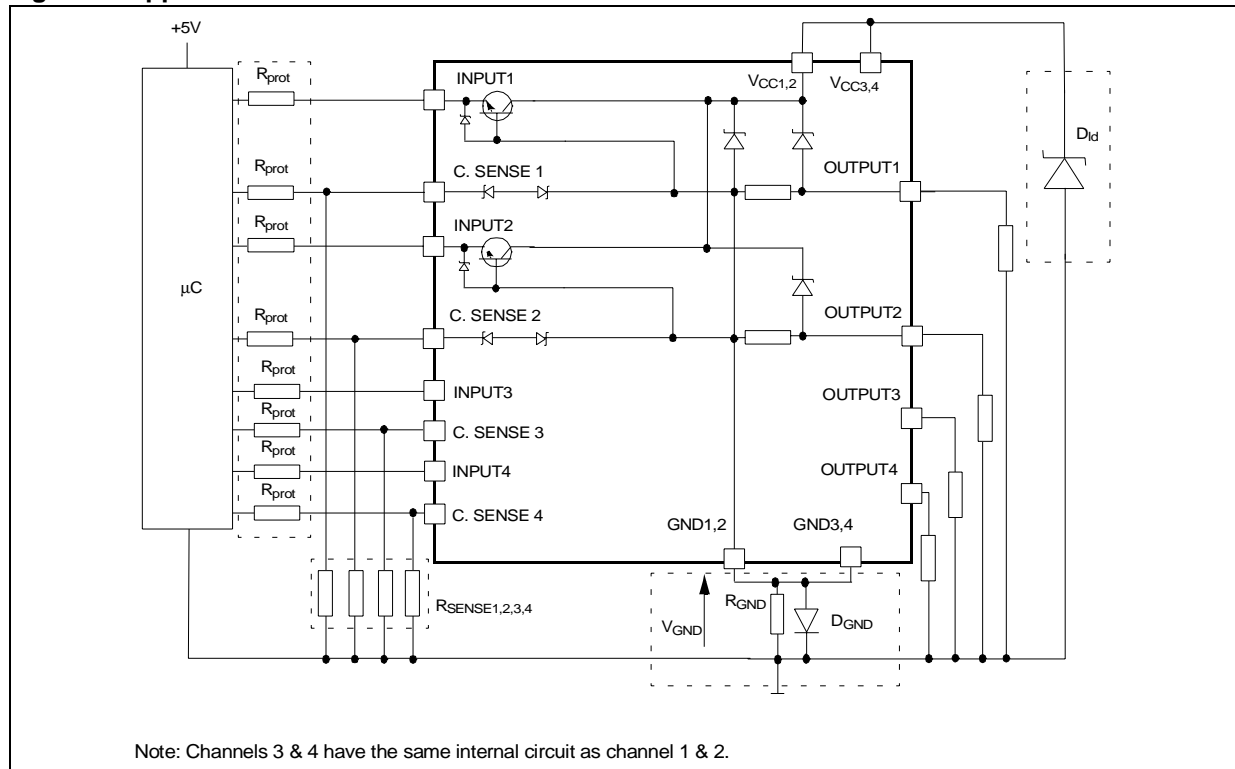


Figure 8. Application Schematic



## GND PROTECTION NETWORK AGAINST REVERSE BATTERY

**Solution 1:** Resistor in the ground line ( $R_{GND}$  only). This can be used with any type of load.

The following is an indication on how to dimension the  $R_{GND}$  resistor.

- 1)  $R_{GND} \leq 600\text{mV} / 2(I_{S(on)max})$ .
- 2)  $R_{GND} \geq (-V_{CC}) / (-I_{GND})$

where  $-I_{GND}$  is the DC reverse ground pin current and can be found in the absolute maximum rating section of the device's datasheet.

Power Dissipation in  $R_{GND}$  (when  $V_{CC} < 0$ : during reverse battery situations) is:

$$P_D = (-V_{CC})^2 / R_{GND}$$

This resistor can be shared amongst several different HSD. Please note that the value of this resistor should be calculated with formula (1) where  $I_{S(on)max}$  becomes the sum of the maximum on-state currents of the different devices.

Please note that if the microprocessor ground is not common with the device ground then the  $R_{GND}$  will produce a shift ( $I_{S(on)max} * R_{GND}$ ) in the input thresholds and the status output values. This shift will vary depending on how many devices are ON in the case of several high side drivers sharing the same  $R_{GND}$ .

If the calculated power dissipation leads to a large resistor or several devices have to share the same resistor then the ST suggests to utilize Solution 2 (see below).

**Solution 2:** A diode ( $D_{GND}$ ) in the ground line.

A resistor ( $R_{GND} = 1\text{k}\Omega$ ) should be inserted in parallel to  $D_{GND}$  if the device will be driving an inductive load.

This small signal diode can be safely shared amongst several different HSD. Also in this case, the presence of the ground network will produce a shift ( $\approx 600\text{mV}$ ) in the input threshold and the status output values if the microprocessor ground is not common with the device ground. This shift will not vary if more than one HSD shares the same diode/resistor network.

Series resistor in INPUT line is also required to prevent that, during battery voltage transient, the current exceeds the Absolute Maximum Rating.

Safest configuration for unused INPUT pin is to leave it unconnected, while unused SENSE pin has to be connected to Ground pin.

## LOAD DUMP PROTECTION

$D_{id}$  is necessary (Voltage Transient Suppressor) if the load dump peak voltage exceeds  $V_{CC}$  max DC rating. The same applies if the device will be subject to transients on the  $V_{CC}$  line that are greater than the ones shown in the ISO T/R 7637/1 table.

## µC I/Os PROTECTION:

If a ground protection network is used and negative transients are present on the  $V_{CC}$  line, the control pins will be pulled negative. ST suggests to insert a resistor ( $R_{prot}$ ) in line to prevent the  $\mu\text{C}$  I/Os pins to latch-up.

The value of these resistors is a compromise between the leakage current of  $\mu\text{C}$  and the current required by the HSD I/Os (Input levels compatibility) with the latch-up limit of  $\mu\text{C}$  I/Os.

$$-V_{CCpeak} / I_{latchup} \leq R_{prot} \leq (V_{OH\mu C} - V_{IH} - V_{GND}) / I_{IHmax}$$

Calculation example:

For  $V_{CCpeak} = -100\text{V}$  and  $I_{latchup} \geq 20\text{mA}$ ;  $V_{OH\mu C} \geq 4.5\text{V}$   
 $5\text{k}\Omega \leq R_{prot} \leq 65\text{k}\Omega$ .

Recommended  $R_{prot}$  value is  $10\text{k}\Omega$ .

Figure 9. Off State Output Current

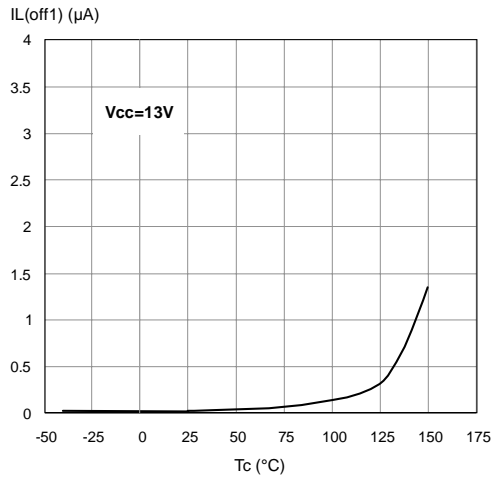


Figure 10. Low Level Input Current

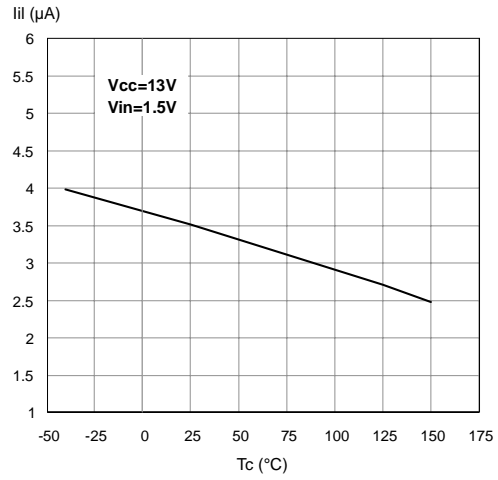


Figure 11. Input Clamp Voltage

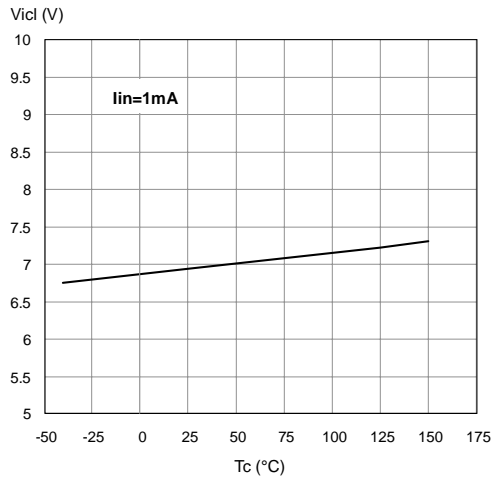


Figure 13. Input High Level

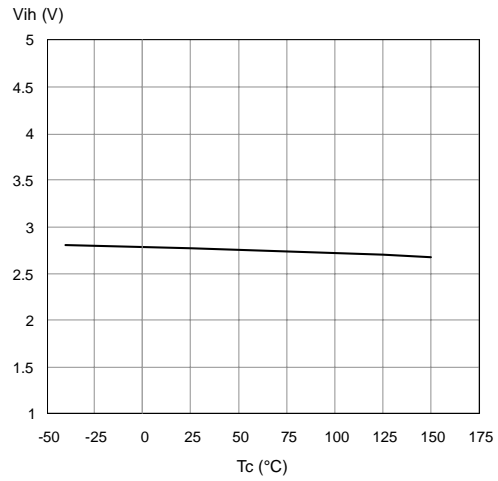


Figure 12. Input Low Level

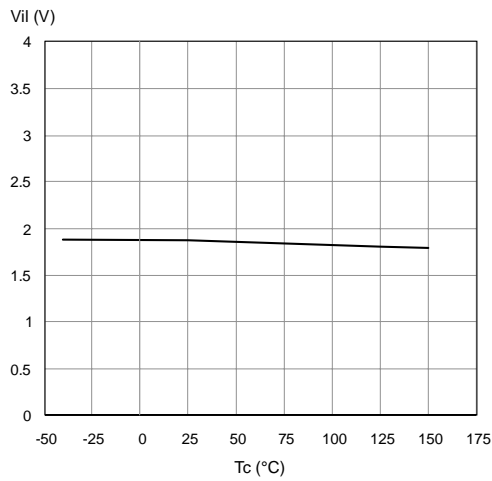


Figure 14. Input Hysteresis Voltage

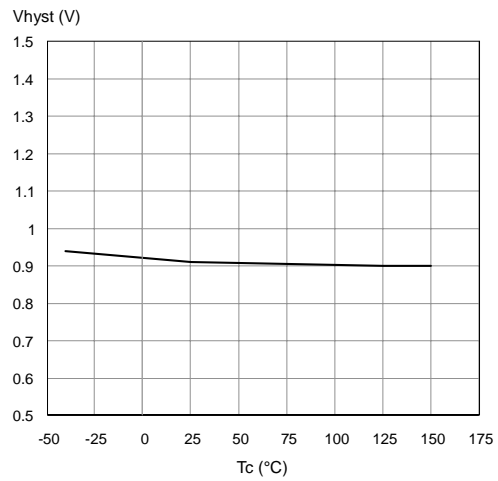


Figure 15. Overvoltage Shutdown

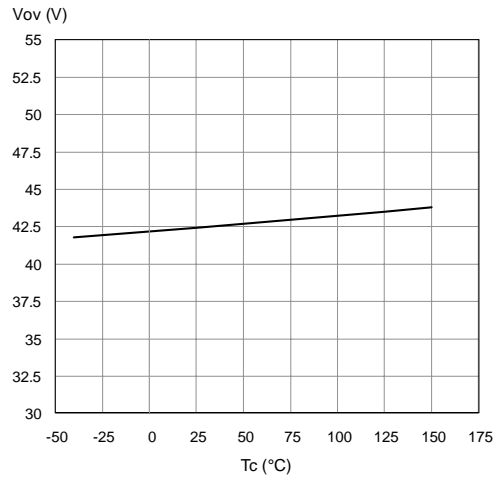


Figure 16. I<sub>LIM</sub> Vs T<sub>case</sub>

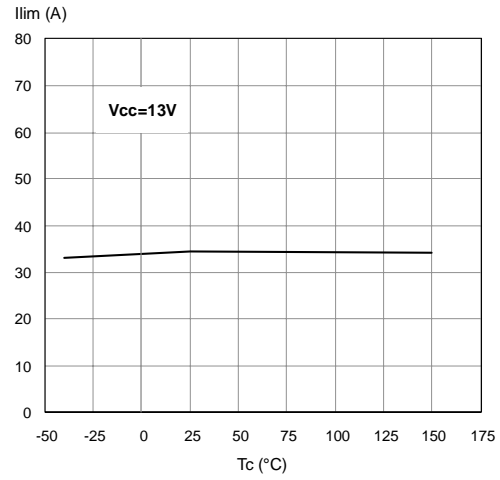


Figure 17. Turn-on Voltage Slope

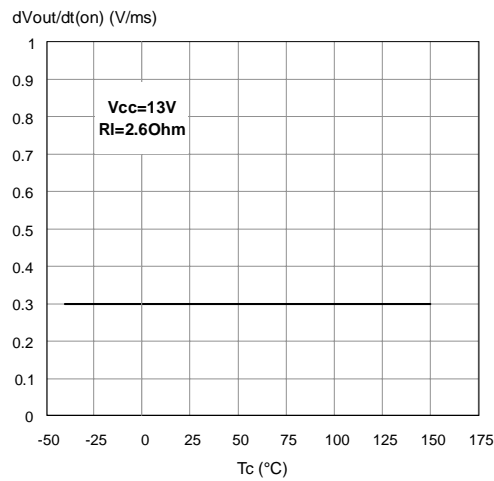


Figure 19. Turn-off Voltage Slope

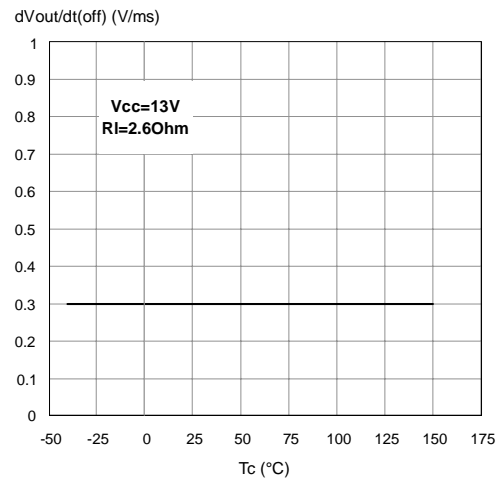


Figure 18. On State Resistance Vs T<sub>case</sub>

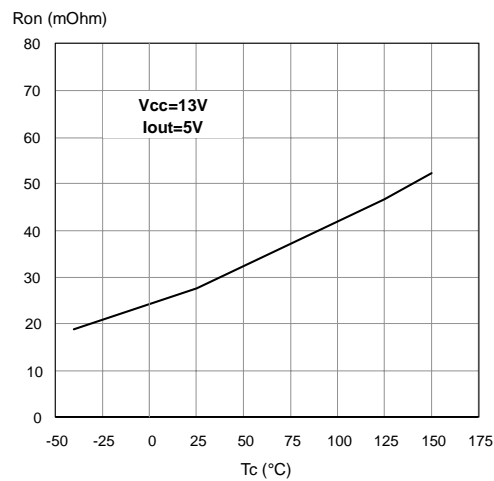
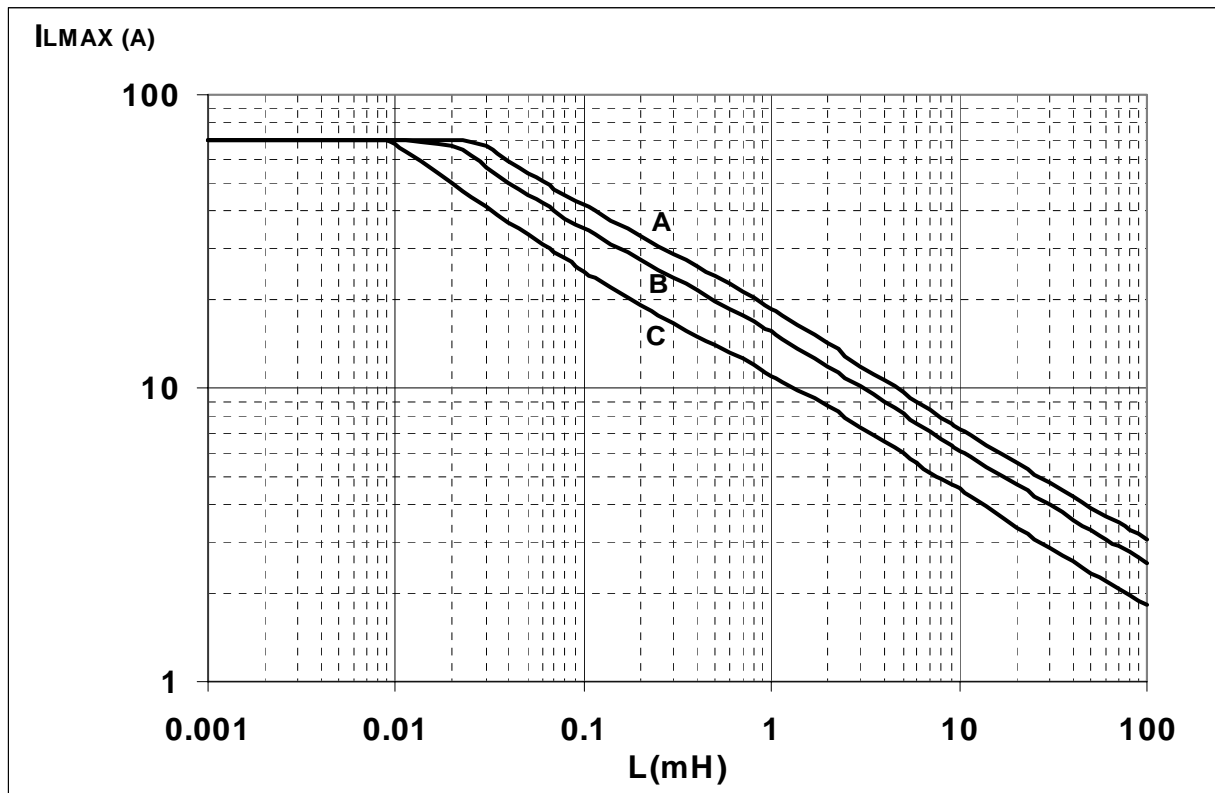


Figure 20. Maximum Turn Off Current Versus Load Inductance



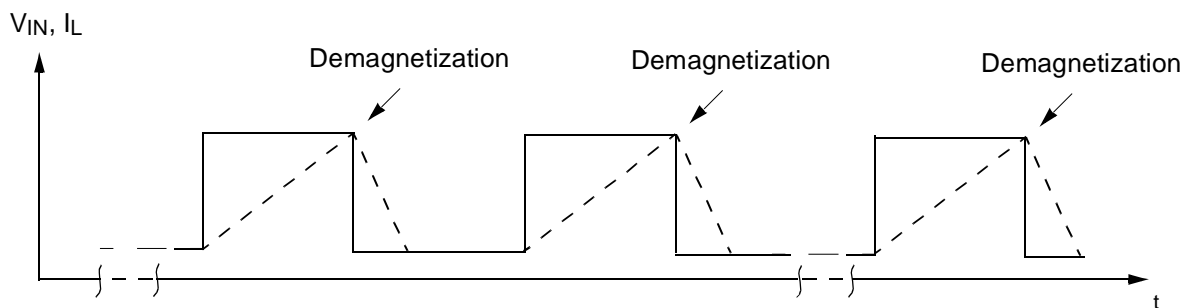
A = Single Pulse at  $T_{Jstart} = 150^\circ\text{C}$   
 B = Repetitive pulse at  $T_{Jstart} = 100^\circ\text{C}$   
 C = Repetitive Pulse at  $T_{Jstart} = 125^\circ\text{C}$

Conditions:

$V_{CC} = 13.5\text{V}$

Values are generated with  $R_L = 0\Omega$

In case of repetitive pulses,  $T_{jstart}$  (at beginning of each demagnetization) of every pulse must not exceed the temperature specified above for curves B and C.



SO-28 Thermal Data

Figure 21. SO-28 Double Island PC Board

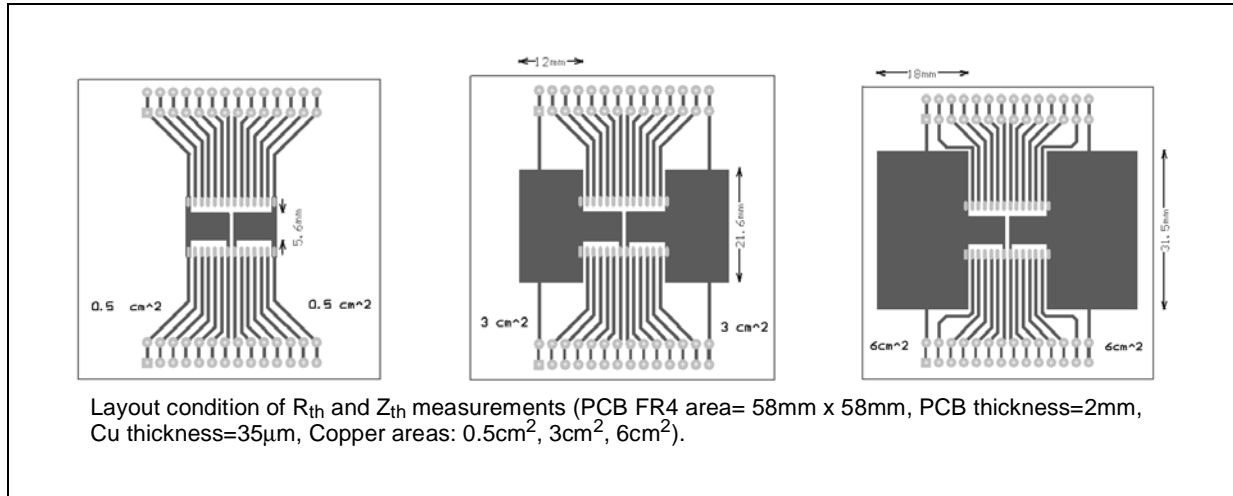


Table 13. Thermal Calculation According to the PCB Heatsink Area

| Chip 1 | Chip 2 | $T_{jchip1}$  | $T_{jchip2}$  | Note                         |
|--------|--------|---|---|------------------------------|
| ON     | OFF    | $R_{thA} \times P_{dchip1} + T_{amb}$                               | $R_{thC} \times P_{dchip1} + T_{amb}$                               |                              |
| OFF    | ON     | $R_{thC} \times P_{dchip2} + T_{amb}$                               | $R_{thA} \times P_{dchip2} + T_{amb}$                               |                              |
| ON     | ON     | $R_{thB} \times (P_{dchip1} + P_{dchip2}) + T_{amb}$                | $R_{thB} \times (P_{dchip1} + P_{dchip2}) + T_{amb}$                | $P_{dchip1} = P_{dchip2}$    |
| ON     | ON     | $(R_{thA} \times P_{dchip1}) + R_{thC} \times P_{dchip2} + T_{amb}$ | $(R_{thA} \times P_{dchip2}) + R_{thC} \times P_{dchip1} + T_{amb}$ | $P_{dchip1} \neq P_{dchip2}$ |

Note:  $R_{thA}$  = Thermal resistance Junction to Ambient with one chip ON

Note:  $R_{thB}$  = Thermal resistance Junction to Ambient with both chips ON and  $P_{dchip1} = P_{dchip2}$

Note:  $R_{thC}$  = Mutual thermal resistance

Figure 22.  $R_{thj-amb}$  Vs PCB Copper Area In Open Box Free Air Condition

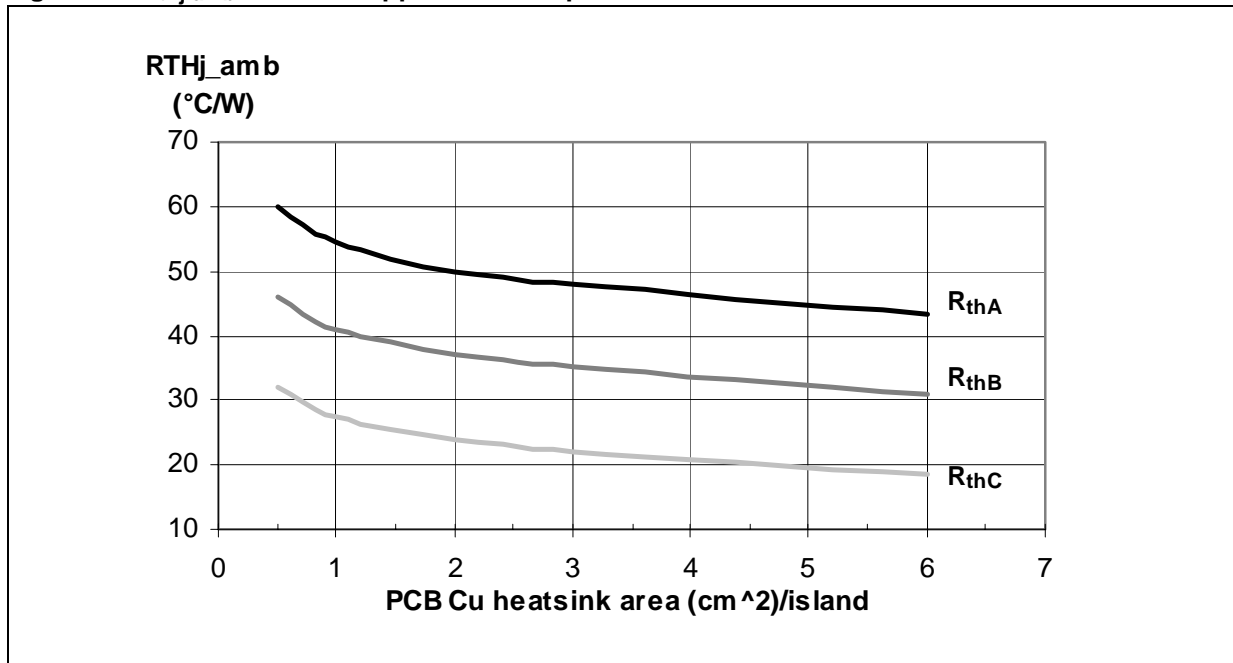


Figure 23. SO-28 Thermal Impedance Junction Ambient Single Pulse

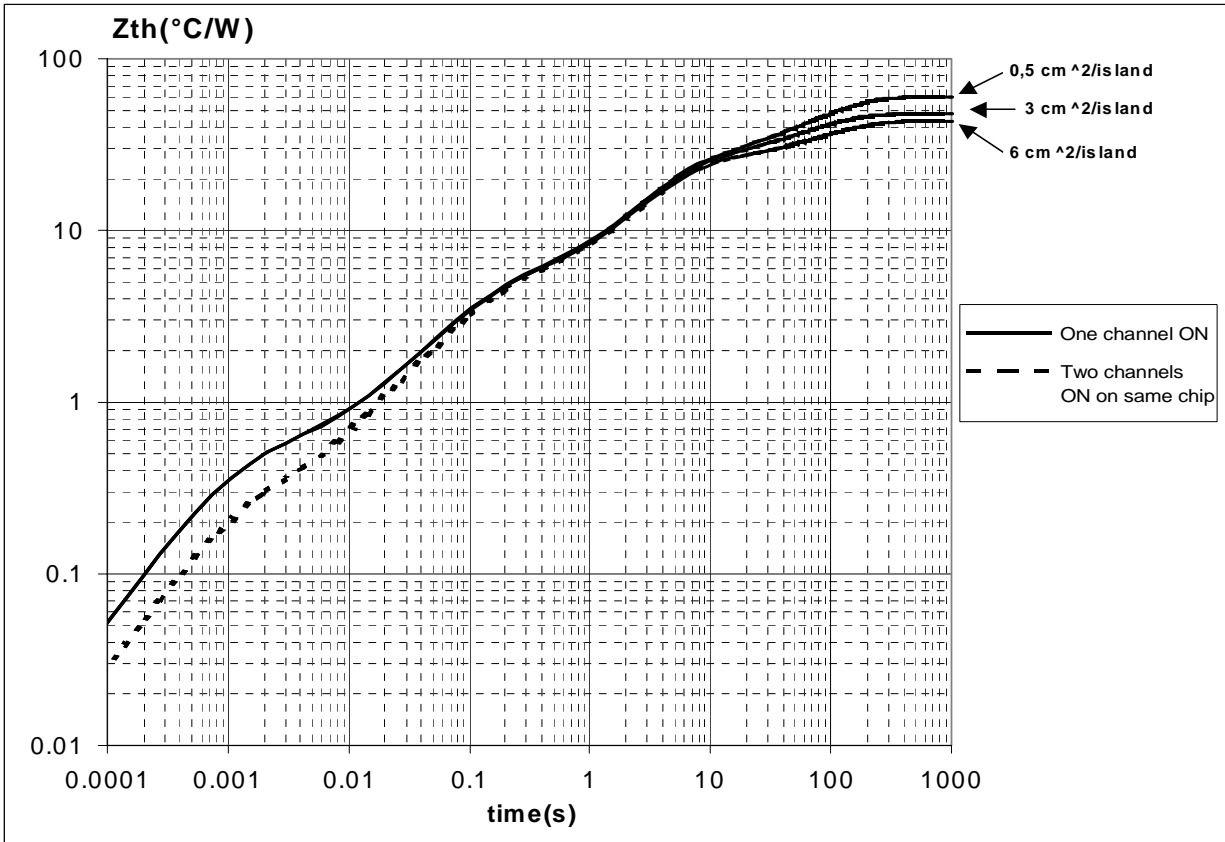
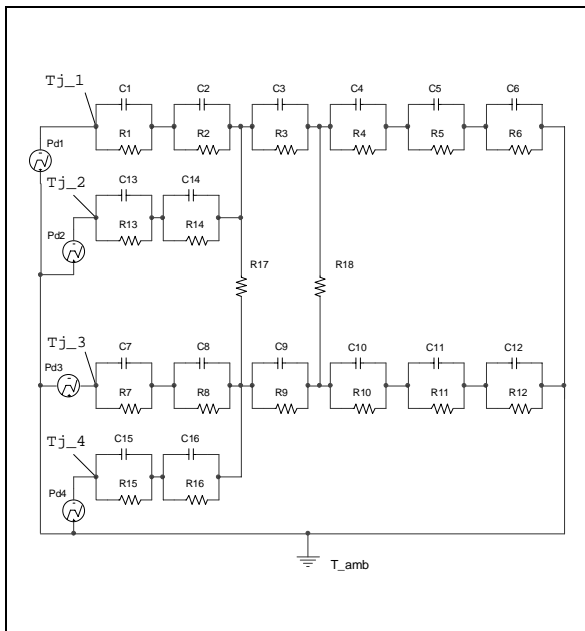


Figure 24. Thermal Fitting Model Of A Quad Channels HSD in SO-28



Pulse Calculation Formula

$$Z_{TH\delta} = R_{TH} \cdot \delta + Z_{THtp}(1 - \delta)$$

where  $\delta = t_p/T$

Table 14. Thermal Parameter

| Area/island (cm <sup>2</sup> ) | 0.5      | 6  |
|--------------------------------|----------|----|
| R1=R7=R13=R15 (°C/W)           | 0.05     |    |
| R2=R8=R14=R16 (°C/W)           | 0.3      |    |
| R3=R9 (°C/W)                   | 3.4      |    |
| R4=R10 (°C/W)                  | 11       |    |
| R5=R11 (°C/W)                  | 15       |    |
| R6=R12 (°C/W)                  | 30       | 13 |
| C1=C7=C13=C15 (W.s/°C)         | 0.001    |    |
| C2=C8=C14=C16 (W.s/°C)         | 5.00E-03 |    |
| C3=C9 (W.s/°C)                 | 1.00E-02 |    |
| C4=C10 (W.s/°C)                | 0.2      |    |
| C5=C11 (W.s/°C)                | 1.5      |    |
| C6=C12 (W.s/°C)                | 5        | 8  |
| R17=R18 (°C/W)                 | 150      |    |



## PACKAGE MECHANICAL

Table 15. SO-28 Mechanical Data

| Symbol | millimeters |       |       |
|--------|-------------|-------|-------|
|        | Min         | Typ   | Max   |
| A      |             |       | 2.65  |
| a1     | 0.10        |       | 0.30  |
| b      | 0.35        |       | 0.49  |
| b1     | 0.23        |       | 0.32  |
| C      |             | 0.50  |       |
| c1     | 45 (typ.)   |       |       |
| D      | 17.7        |       | 18.1  |
| E      | 10.00       |       | 10.65 |
| e      |             | 1.27  |       |
| e3     |             | 16.51 |       |
| F      | 7.40        |       | 7.60  |
| L      | 0.40        |       | 1.27  |
| S      | 8 (max.)    |       |       |

Figure 25. SO-28 Package Dimensions

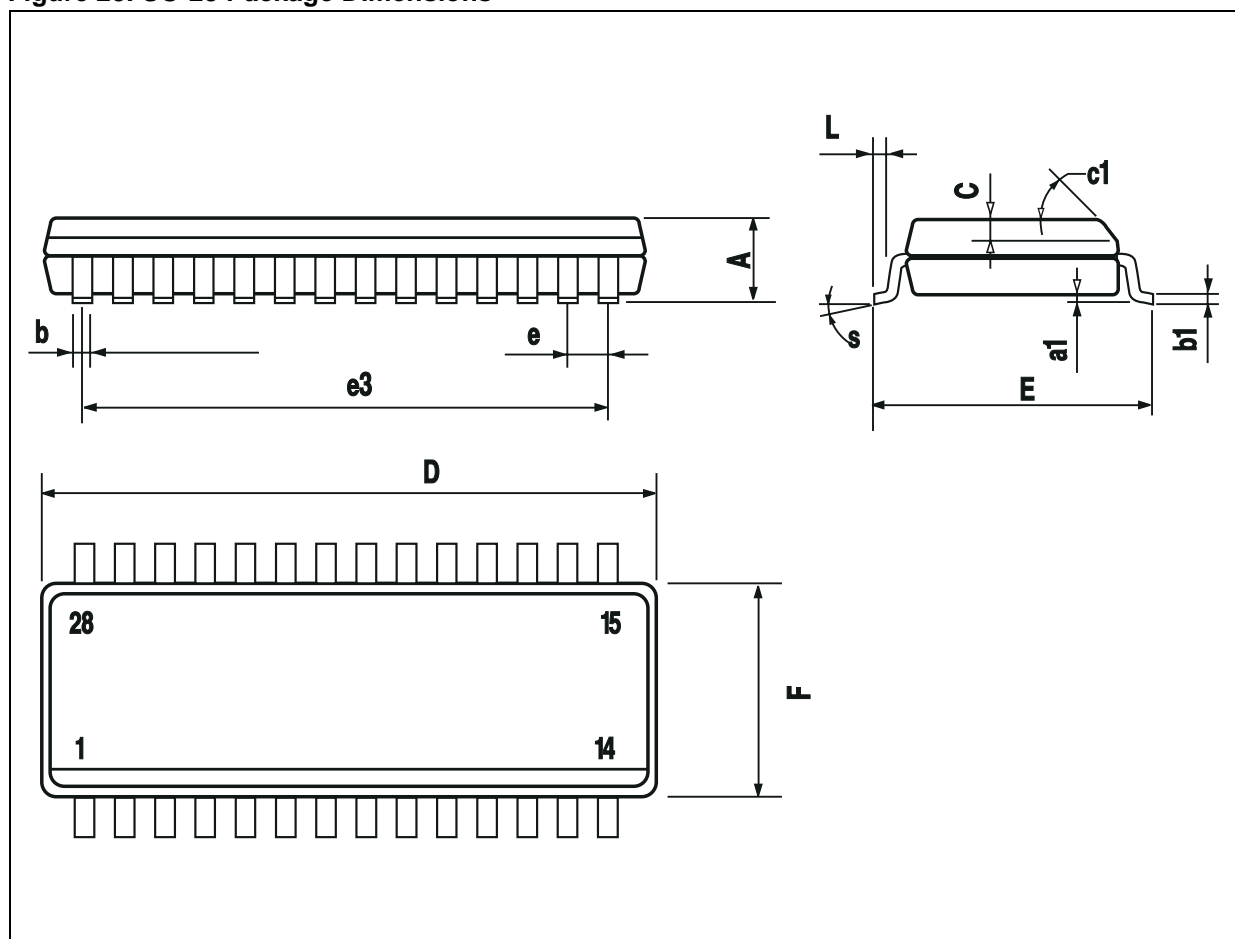


Figure 26. SO-28 Tube Shipment (no suffix)

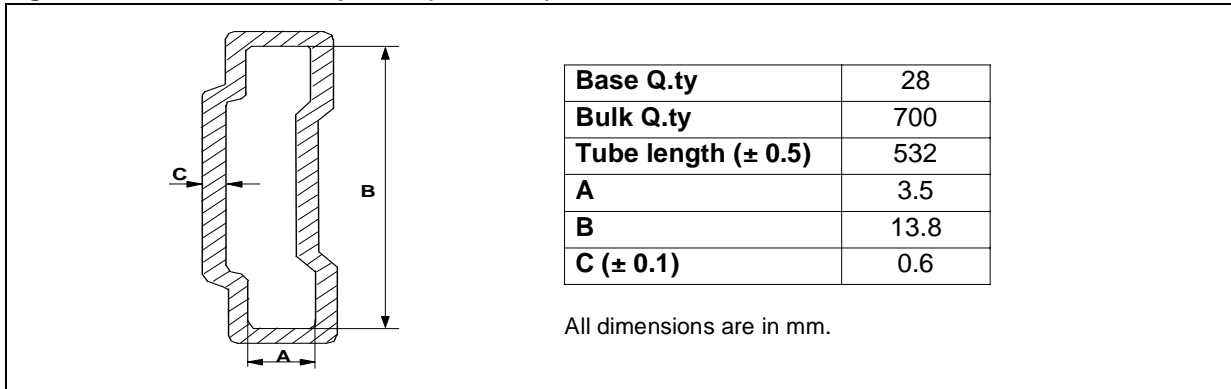
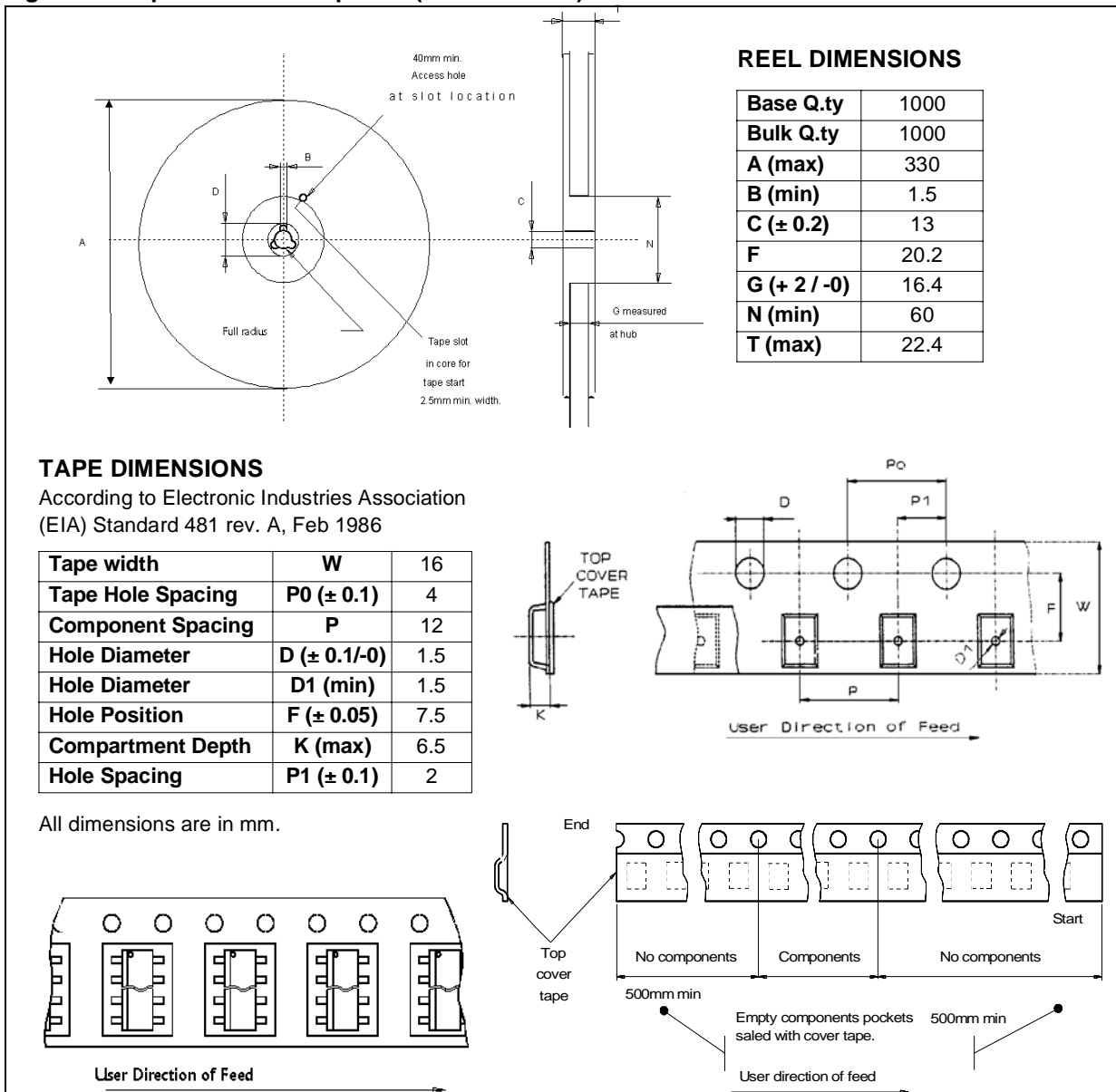


Figure 27. Tape And Reel Shipment (suffix "13TR")



**REVISION HISTORY****Table 16. Revision History**

| Date      | Revision | Description of Changes   |
|-----------|----------|--|
| Jul. 2004 | 1        | <ul style="list-style-type: none"><li>- Current and voltage convention update.</li><li>- "Configuration diagram (top view) &amp; suggested connections for unused and n.c. pins" insertion.</li><li>- 6 cm<sup>2</sup> Cu condition insertion in Thermal Data table.</li><li>- V<sub>CC</sub> - OUTPUT DIODE section update.</li><li>- PROTECTIONS note insertion.</li><li>- Revision History table insertion.</li><li>- Disclaimers update.</li></ul> |
| Oct. 2004 | 2        | <ul style="list-style-type: none"><li>- Minor text changes.</li></ul>  |

Information furnished is believed to be accurate and reliable. However, STMicroelectronics assumes no responsibility for the consequences of use of such information nor for any infringement of patents or other rights of third parties which may result from its use. No license is granted by implication or otherwise under any patent or patent rights of STMicroelectronics. Specifications mentioned in this publication are subject to change without notice. This publication supersedes and replaces all information previously supplied. STMicroelectronics products are not authorized for use as critical components in life support devices or systems without express written approval of STMicroelectronics.

The ST logo is a registered trademark of STMicroelectronics.  
All other names are the property of their respective owners

© 2004 STMicroelectronics - All rights reserved

STMicroelectronics group of companies

Australia - Belgium - Brazil - Canada - China - Czech Republic - Finland - France - Germany - Hong Kong - India - Israel - Italy - Japan -  
Malaysia - Malta - Morocco - Singapore - Spain - Sweden - Switzerland - United Kingdom - United States of America

[www.st.com](http://www.st.com)