

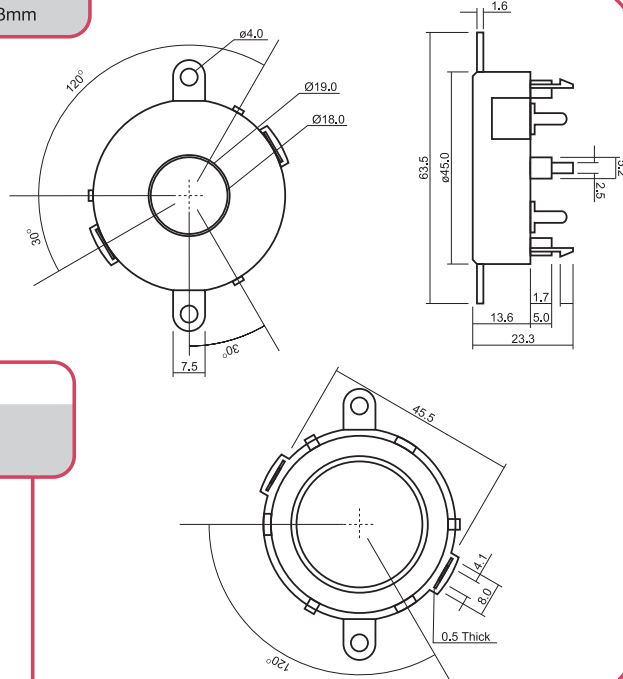
SoniCrest PIEZO SOUND GENERATORS



HPA45A

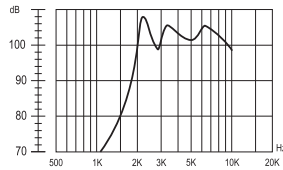
Dimension

Unit: mm
Tolerance : 0,3mm



Frequency Response

Applied Voltage : 12Vp-p, Sine Wave
Measuring Distance : 1 ft



Specification (all data taken at 25°C unless otherwise specified)

HPA45A	Drive Voltage Continuous (Vp-p)	Drive Voltage Intermittent (Vp-p)	★ Sound Output at 1ft (dB)	Frequency Range (Hz)	Capacitance (μF)	Operating Temperature (°C)	Storage Temperature (°C)	Weight (g)
	40V sine wave	55V sine wave	≥100	2200 ~ 4000	0.3	-40 ~ +60	-40 ~ +60	9

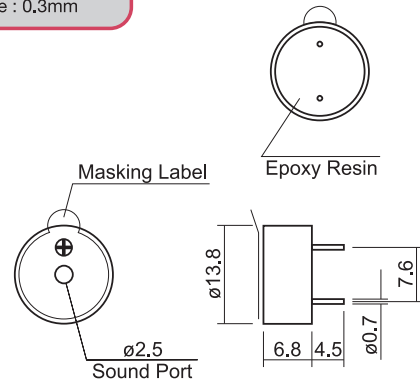
★ Value Applying 12Vp-p, 3200Hz, 50% Sine Wave



HPM14A

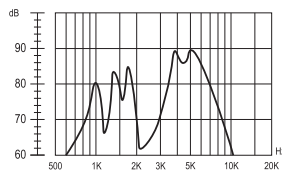
Dimension

Unit: mm
Tolerance : 0,3mm



Frequency Response

Applied Voltage : 5Vp-p, 50% Duty Square Wave
Measuring Distance : 10cm



Specification (all data taken at 25°C unless otherwise specified)

HPM14A	Rated Voltage (Vp-p)	Operating Voltage (Vp-p)	★ Rated Current (mA)	★ Sound Output at 10cm (dB)	Rated Frequency (Hz)	Capacitance (nF)	Operating Temperature (°C)	Storage Temperature (°C)	Weight (g)
	5	1 ~ 20	≤3	≥80	4000 ± 500	15 ± 30%	-20 ~ +70	-30 ~ +80	1

★ Value Applying Rated Voltage, Rated Frequency, 50% Duty Square wave

