

SoniCrest

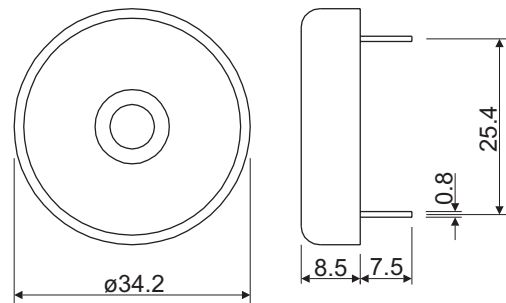
PIEZO SOUND GENERATORS



HPA34C

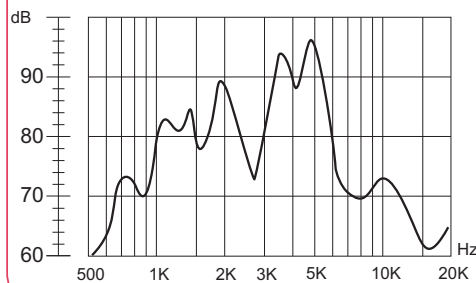
Dimension

Unit : mm
Tolerance : ±0.3mm



Frequency Response

Applied Voltage : 9Vp-p, 50% Duty Square Wave
Measuring Distance : 30cm



Specification (all data taken at 25°C unless otherwise specified)

HPA34C	Rated Voltage (Vp-p)	Operating Voltage (Vp-p)	★Rated Current (mA)	★Sound Output at 30cm (dB)	★Rated Frequency (Hz)	Capacitance (nF)	Operating Temperature (°C)	Storage Temperature (°C)	Weight (g)
	9	7 ~ 30	≤ 5	≥ 80	1200 ± 500	45 ± 30%	-20 ~ +60	-30 ~ +70	5

★Value Applying Rated Voltage, Rated Frequency, 50% Duty Square Wave

www.jlworld.com