

MOLDED PLASTIC SMD MICROPROCESSOR CRYSTAL

ABSM2



ABSM2



RoHS
Compliant

12.5 x 4.6 x 3.7mm

FEATURES:

- Suitable for reflow
- Low in height - suitable for thin equipment
- AT-strip cut offers a tight tolerance & stability

APPLICATIONS:

- Computers, Modems, Microprocessors
- Communication, Test equipment
- PCMCIA

STANDARD SPECIFICATIONS:

PARAMETERS

ABRACON P/N	ABSM2
Frequency Range	3.5 MHz to 70 MHz
Operation Mode	AT-strip (see option) Fundamental 3.5 MHz - 32.0 MHz Third-Overtone 30.0 MHz - 70.0 MHz
Operating Temperature	- 10°C to + 60°C (see options)
Storage Temperature	- 55°C to + 125°C
Frequency Tolerance	± 50 ppm max. (see options)
Frequency Stability over the Operating Temp. (Ref to +25°C)	± 50 ppm max. (see options)
Equivalent Series Resistance (max)	See Table 1
Shunt Capacitance C ₀	7pF max.
Load Capacitance C _L	18pF (see options)
Drive Level	100µW max.
Aging at 25°C Per Year	± 5ppm max.
Insulation Resistance	500MW min at 100Vdc ± 15Vdc

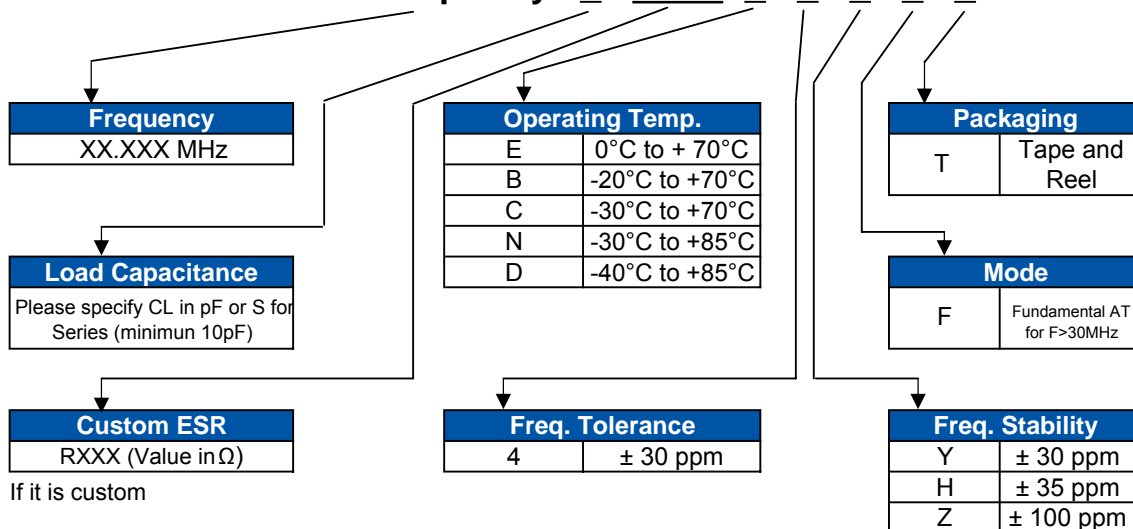
TABLE 1 - Standard ESR

Frequency (MHz)	ESR (Ω)
3.50 - 3.999	200
4.000 - 5.999	150
6.000 - 11.999	100
12.000 - 32.00(Fund)	50
30.000 - 35.999(3rd O/T)	100
33.000 - 70.00(3rd O/T)	80

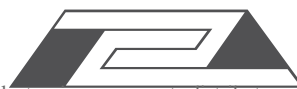
OPTIONS & PART IDENTIFICATION:

(Left blank if standard)

ABSM2 - Frequency - □ - R□□□ - □ - □ - □ - □ - □



ABRACON IS
ISO 9001 / QS 9000
CERTIFIED



ABRACON
CORPORATION

Visit www.abracon.com for Terms & Conditions of Sale **Revised: 01.11.08**
30332 Esperanza, Rancho Santa Margarita, California 92688
tel 949-546-8000 | fax 949-546-8001 | www.abracon.com

MOLDED PLASTIC SMD MICROPROCESSOR CRYSTAL

ABSM2



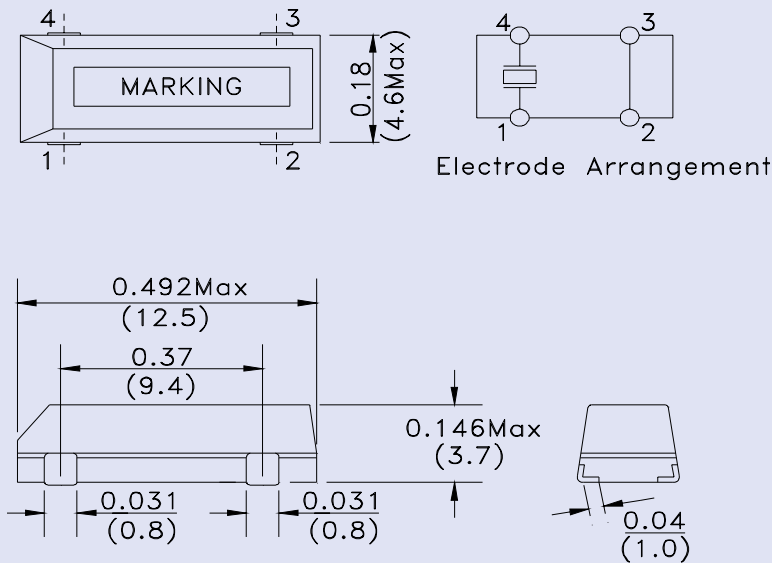
12.5 x 4.6 x 3.7mm

ABSM2

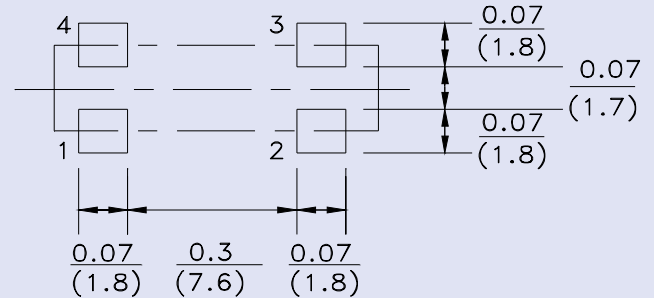


RoHS
Compliant

OUTLINE DRAWING:



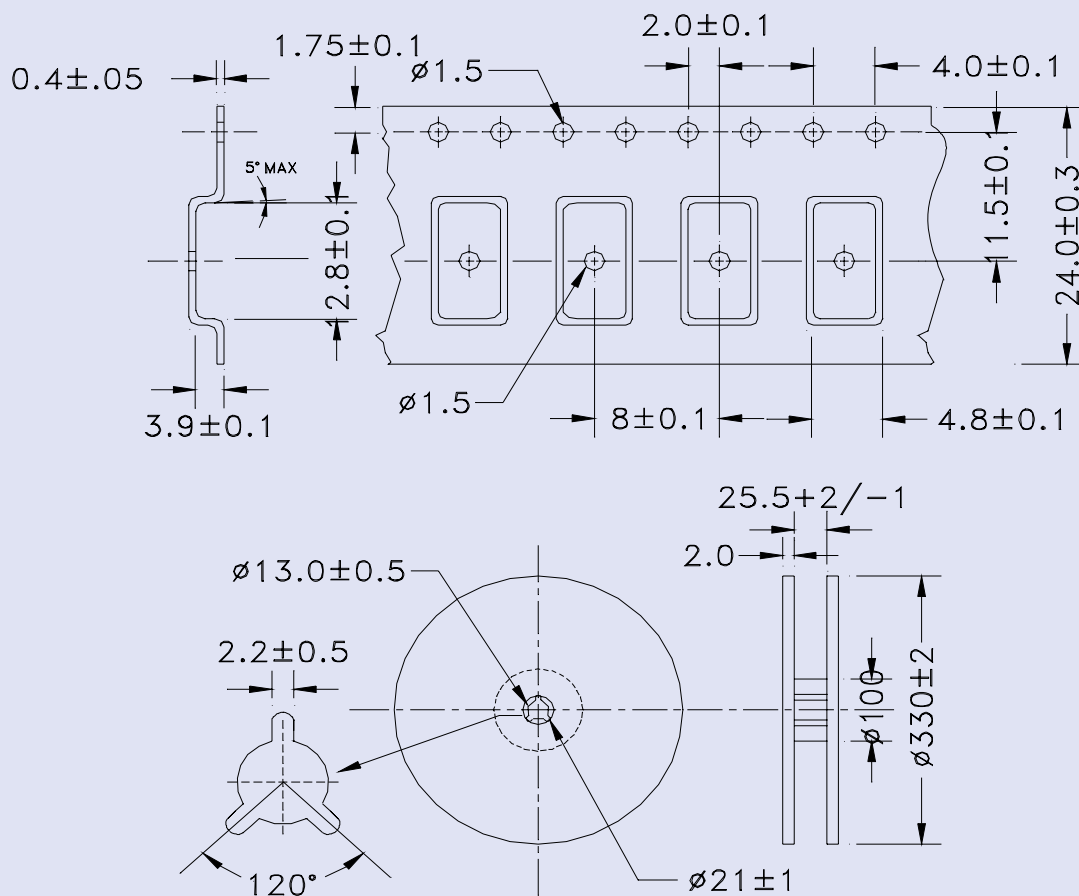
RECOMMENDED LAND PATTERN



Dimensions: Inches (mm)

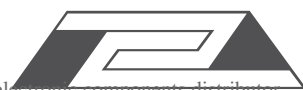
TAPE & REEL:

FEEDING (PULL) DIRECTION



Dimensions: mm

ABRACON IS
ISO 9001 / QS 9000
CERTIFIED



ABRACON
CORPORATION

Visit www.abracon.com for Terms & Conditions of Sale **Revised: 01.11.08**

30332 Esperanza, Rancho Santa Margarita, California 92688

tel 949-546-8000 | fax 949-546-8001 | www.abracon.com