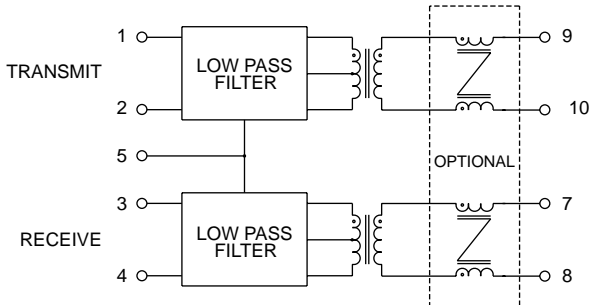


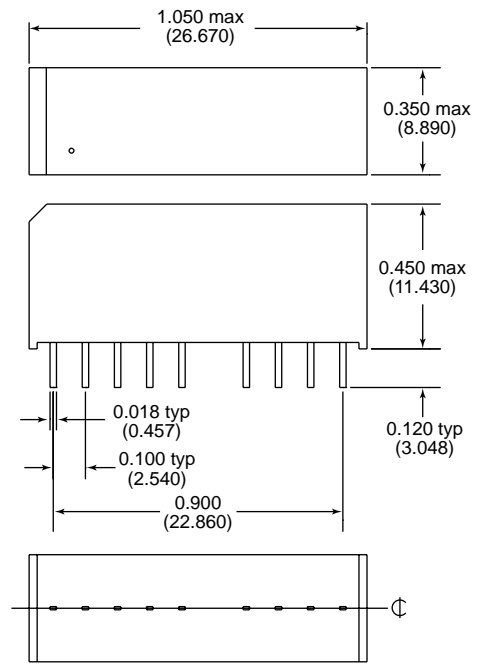
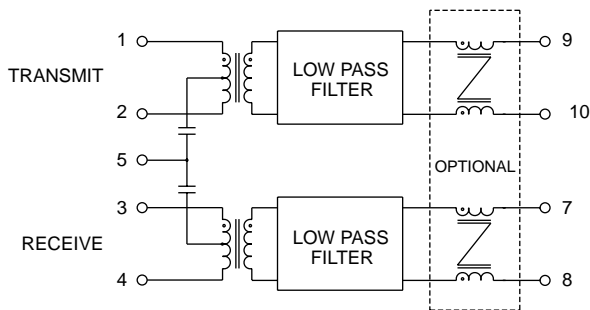
HALO Electronics has developed this standard series of Single-In-Line filter modules to specifically address the 10BASE-T requirements of IEEE 802.3. Filter modules are available for most LAN IC manufacturer's products. To select the correct filter component please refer to the HALO Electronics Filter Selection Guide.



Schematic A



Schematic B



DIMENSIONS: Inch(mm)

Electrical Specifications @ 25°C

Dielectric Withstanding Voltage: 2,000Vrms Min.
 Insertion Loss (5-10MHz): -1 dB Max.
 Return Loss (5-10MHz): -20 dB Min.

Cross Talk (1-10MHz): -30 dB Min.
 Attenuation @ 30MHz: Transmit -27 dB Min.
 Receive -18 dB Min.
 Cutoff Frequency: 17 MHz Typ.

Part Number	Filter Description		Optional CMR Chokes	Schematic
	Transmit	Receive		
FS02-101Y2	100Ω Transformer + Filter	100Ω Transformer + Filter	-	A
FS12-101Y2	100Ω Transformer + Filter	100Ω Transformer + Filter	TX	A
FS22-101Y2	100Ω Transformer + Filter	100Ω Transformer + Filter	TX / RX	A
FS02-114Y2	50Ω Transformer + Filter	100Ω Transformer + Filter	-	B
FS12-114Y2	50Ω Transformer + Filter	100Ω Transformer + Filter	TX	B
FS22-114Y2	50Ω Transformer + Filter	100Ω Transformer + Filter	TX / RX	B

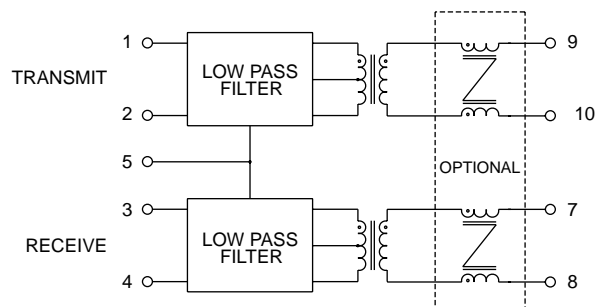


“Slim SIP” 10BASE-T Filter Modules

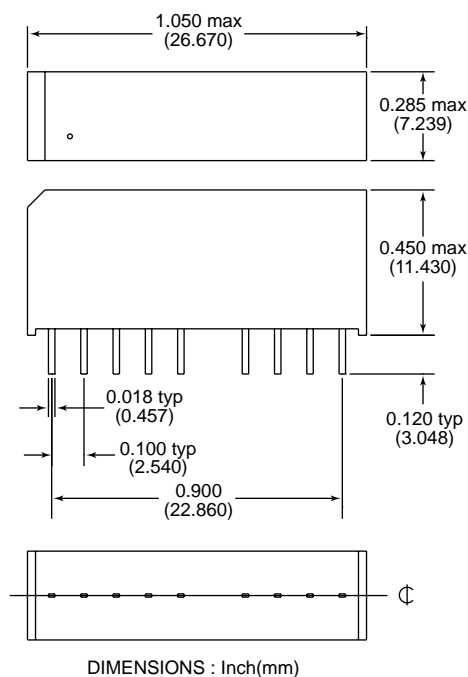
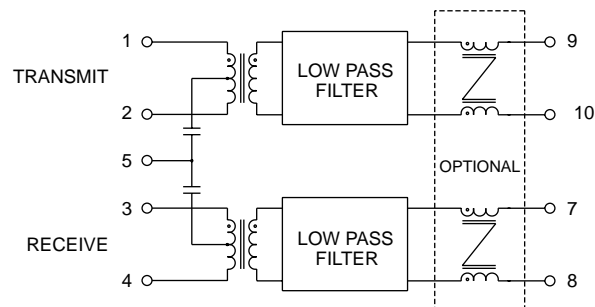
HALO
ELECTRONICS, INC.

HALO Electronics has developed this standard series of “Slim SIP” filter modules to specifically address the 10BASE-T requirements of IEEE 802.3. Filter modules are available for most LAN IC manufacturer's products. To select the correct filter component please refer to the HALO Electronics Filter Selection Guide.

Schematic A



Schematic B



Electrical Specifications @ 25°C

Dielectric Withstanding Voltage: 2,000Vrms Min.
Insertion Loss (5-10MHz): -1 dB Max.
Return Loss (5-10MHz): -20 dB Min.

Cross Talk (1-10MHz):

Attenuation @ 30MHz:

Transmit
Receive

-30 dB Min.

-27 dB Min.

-18 dB Min.

Cutoff Frequency:

17 MHz Typ.

Part Number	Transmit	Filter Description	Receive	Optional CMR Chokes	Schematic
FS02-101Y4	100Ω Transformer + Filter		100Ω Transformer + Filter	–	A
FS12-101Y4	100Ω Transformer + Filter		100Ω Transformer + Filter	TX	A
FS22-101Y4	100Ω Transformer + Filter		100Ω Transformer + Filter	TX / RX	A
FS02-114Y4	50Ω Transformer + Filter		100Ω Transformer + Filter	–	B
FS12-114Y4	50Ω Transformer + Filter		100Ω Transformer + Filter	TX	B
FS22-114Y4	50Ω Transformer + Filter		100Ω Transformer + Filter	TX / RX	B