

Nominal breakdown voltage V_N	400	V
Initial values		
Static breakdown voltage V_S ^{1) 2)}		
First ignition value $V_{S, FTE}$ after 24 hours in darkness	≤ 460	V
Following ignition values (selection limits)	360 ... 420	V
Following ignition values $V_{S, FIV}$	350 ... 430	V
Breakdown voltage V_B (measuring time 200 ms) ⁴⁾		
First ignition value $V_{B, FTE}$	≤ 460	V
Following ignition values $V_{B, FIV}$	340 ... 460	V
Electrical life time ³⁾		
Breakdown voltage V_B		
First ignition value $V_{B, FTE}$ initial after 24 hours in darkness	≤ 460	V
First ignition value $V_{B, FTE}$ after 24 hours in darkness	≤ 500	V
Following ignition values $V_{B, FIV}$	340 ... 460	V
Switching operations		
at -40 °C Ignition time $t_i \leq 60$ ms ⁵⁾	60 000	Ignitions
at -40 °C Ignition time $t_i \leq 200$ ms	100 000	Ignitions
at +25 °C Ignition time $t_i \leq 60$ ms	100 000	Ignitions
at +25 °C Ignition time $t_i \leq 200$ ms	200 000	Ignitions
at +125 °C Ignition time $t_i \leq 60$ ms	200 000	Ignitions
Test circuit parameters		
Open circuit voltage V_0	500	V
Loading resistance R	10	k Ω
Discharge capacitance C	680	nF
Inductance L	0.5	μ H
Discharge peak current I_P	~ 500	A
General technical data		
Insulation resistance at 100 V	> 100	M Ω
Early ignition values below 340 V	≤ 2	%
Breakdown time	≤ 50	ns
Maximum switching frequency	200	Hz
Maximum loading current	50	mA
Weight	~ 2	g
Marking, blue	EPCOS 400 WWY O 400 - Nominal voltage WW - Calendar week of production Y - Year of production O - Non radioactive	

¹⁾ At delivery AQL 0,65 level II, DIN ISO 2859

²⁾ Page 2, Fig. 1 and 2

³⁾ Page 2, Fig. 3 and 4

⁴⁾ Page 2, Fig. 3 and 4, 100 % outgoing inspection

⁵⁾ After storage in darkness for 30 days

Fig. 1: QC- test circuit (100% outgoing inspection)

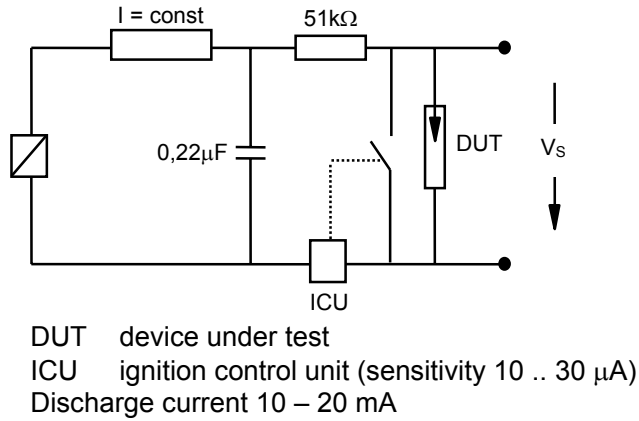


Fig. 2: Explanation of measurands

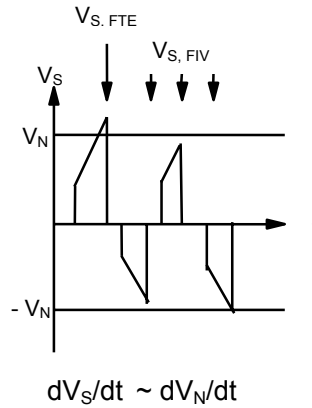


Fig. 3: QC- test circuit (sampling inspection at 25 °C)

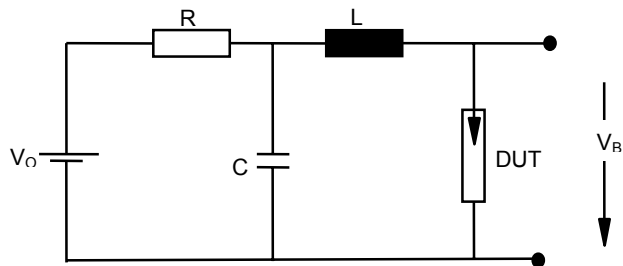
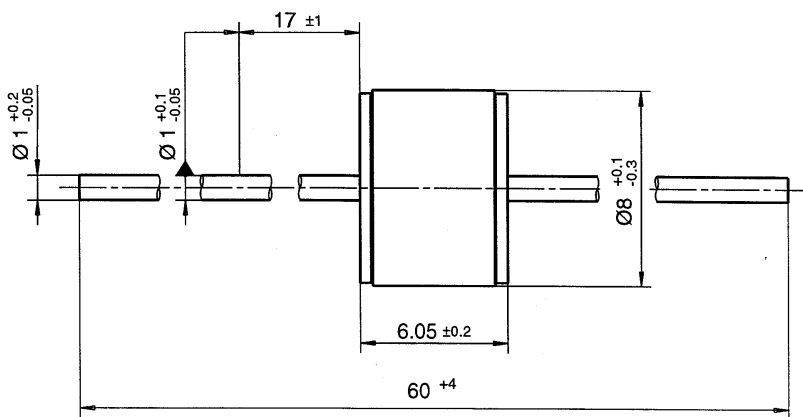
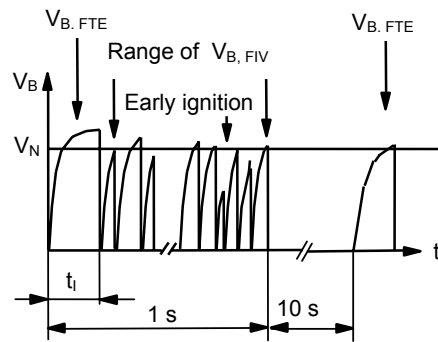


Fig. 4: Explanation of measurands



Not to scale
 Dimensions in mm
 Non controlled document

© EPCOS AG 2002. Reproduction, publication and dissemination of this data sheet, enclosures hereto and the information contained therein without EPCOS' prior express consent is prohibited.

Purchase orders are subject to the General Conditions for the Supply of Products and Services of the Electrical and Electronics Industry recommended by the ZVEI (German Electrical and Electronic Manufacturers' Association), unless otherwise agreed.