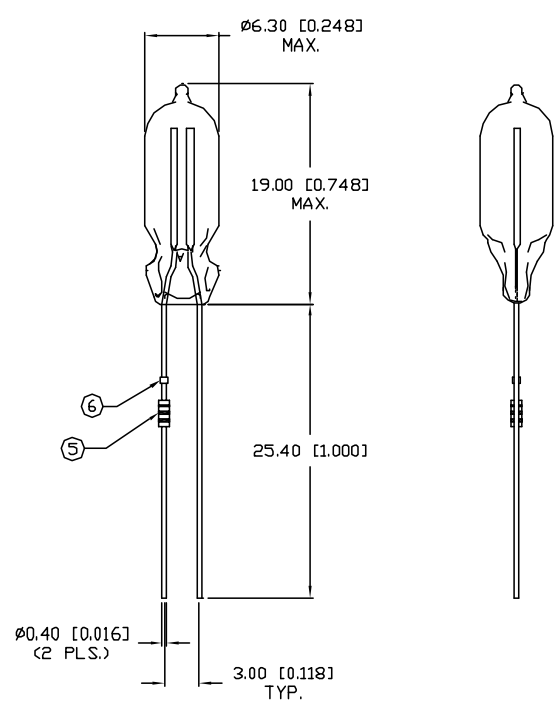


UNCONTROLLED DOCUMENT

PART NUMBER		REV.
GT-NE6H1925T-33K		A
REV.	E.C.N. NUMBER AND REVISION COMMENTS	DATE
A	E.C.N. #11148.	12.13.06



ELECTRO-OPTICAL CHARACTERISTICS				
PARAMETER	MIN	TYP	MAX	UNITS
OPERATING VOLTAGE	90		115	V
STARTING VOLTAGE(AC)			85	V
(DC)			125	V
OPERATING CURRENT:				
W/ 33K OHM RES.	1.3±20%	mA	110V	
LIGHT OUTPUT		111		lm
LIFE HOURS		20,000		HOURS
EMITTED COLOR:	ORANGE			

- NOTES:
- PARTS TO BE IN A SEALED BAG WITH DESICANT.
 - LEAD DIAMETER: 0.40 [0.016].
 - LEAD FINISH: (UT OR BLANK)-UNTINNED COPPER LEADS, (T)-SILVER PLATED LEADS.
 - CORONA MUST COVER A MINIMUM OF 25% OF THE ELECTRODE WITH NO FLICKERING.
 - 33K OHM 1/4W RESISTOR.
 - RESISTOR CRIMPED TO NEON LEAD.



UNCONTROLLED DOCUMENT

*UNLESS OTHERWISE SPECIFIED TOLERANCES PER DECIMAL PRECISION ARE: X=±1 (±0.039), XX=±0.5 (±0.020), XXX=±0.25 (±0.010), XXXX=±0.127 (±0.005). LEAD SIZE=±0.05 (±0.002), LEAD LENGTH=±0.75 (±0.030). MIN= +DECIMAL PRECISION -0.00 MAX.= +0.00 -DECIMAL PRECISION

REV. A	PART NUMBER GT-NE6H1925T-33K	<p>CONFIDENTIAL INFORMATION</p> <p>THE INFORMATION CONTAINED IN THIS DOCUMENT IS THE PROPERTY OF LUMEX INC. EXCEPT AS SPECIFICALLY AUTHORIZED IN WRITING BY LUMEX INC., THE HOLDER OF THIS DOCUMENT SHALL KEEP ALL INFORMATION CONTAINED HEREIN CONFIDENTIAL AND SHALL PROTECT SAME IN WHOLE OR IN PART FROM DISCLOSURE AND DISSEMINATION TO ALL THIRD PARTIES.</p> <p>RELIABILITY NOTE</p> <p>OUR MANY YEARS OF EXPERIENCE DATA ACCUMULATION INDICATE THAT SOLDER HEAT IS A MAJOR CAUSE OF EARLY AND FUTURE FAILURE. PLEASE PAY ATTENTION TO YOUR SOLDERING PROCESS.</p>	<p>290 E. HELEN ROAD PALATINE, IL 60067-6976 PHONE: +1.847.359.2790 US WEB: www.lumex.com TW WEB: www.lumex.com.tw</p>
6mm x 19mm NEON LAMP, ORANGE, HIGH BRIGHTNESS, WITH 3K RESISTOR.		DRAWN BY: JC CHECKED BY: APPROVED BY:	DATE: 12.13.06 PAGE: 1 OF 1 SCALE: N/A