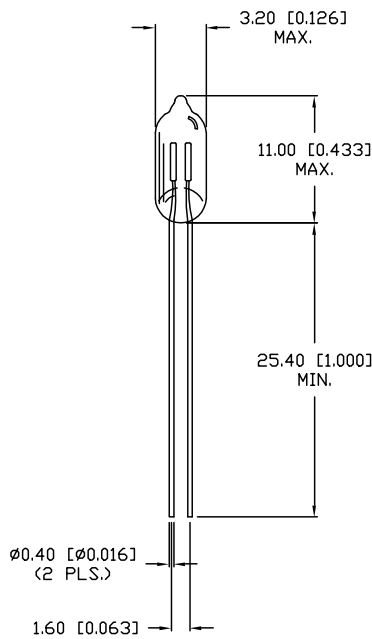


UNCONTROLLED DOCUMENT

PART NUMBER GT-NE3H1025(T)	REV.
-------------------------------	------




ELECTRO-OPTICAL CHARACTERISTICS				
PARAMETER	MIN	TYP	MAX	UNITS
OPERATING VOLTAGE	90		115	V
STARTING VOLTAGE AC/DC			95/135	V
OPERATING CURRENT		1.7		mA
LIGHT OUTPUT		60		mLM
LIFE HOURS		20,000		HOURS

NOTES:

- EXTERNAL RESISTOR VALUE 33K OHMS.
- PART NUMBER SUFFIX "T" FOR TINNED LEADS.

UNCONTROLLED DOCUMENT

\*UNLESS OTHERWISE SPECIFIED TOLERANCES PER DECIMAL PRECISION ARE: X=±1 (±0.039), X.X=±0.5 (±0.020), X.XX=±0.25 (±0.010), X.XXX=±0.127 (±0.005). LEAD SIZE=±0.05 (±0.002), LEAD LENGTH=±0.75 (±0.030). MIN= <sup>+DECIMAL PRECISION</sup> -0.00 MAX= <sup>+0.00</sup> -DECIMAL PRECISION

REV.	PART NUMBER GT-NE3H1025(T)	<p><b>CONFIDENTIAL INFORMATION</b> THE INFORMATION CONTAINED IN THIS DOCUMENT IS THE PROPERTY OF LUMEX INC. EXCEPT AS SPECIFICALLY AUTHORIZED IN WRITING BY LUMEX INC., THE HOLDER OF THIS DOCUMENT SHALL KEEP ALL INFORMATION CONTAINED HEREIN CONFIDENTIAL AND SHALL PROTECT SAME IN WHOLE OR IN PART FROM DISCLOSURE AND DISSEMINATION TO ALL THIRD PARTIES.</p> <p><b>RELIABILITY NOTE</b> OUR MANY YEARS OF EXPERIENCE DATA ACCUMULATION INDICATE THAT SOLDER HEAT IS A MAJOR CAUSE OF EARLY AND FUTURE FAILURE. PLEASE PAY ATTENTION TO YOUR SOLDERING PROCESS.</p>	 <p>290 E. HELLEN ROAD PALATINE, ILLINOIS 60067 PHONE: (847) 359-2790 WEB: <a href="http://www.lumex.com">http://www.lumex.com</a></p>
T-3mm, STANDARD BRIGHTNESS NEON LAMP.		DRAWN BY: SK CHECKED BY: APPROVED BY:	DATE: 4-6-00 PAGE: 1 OF 1 SCALE: N/A