

**Low  $V_{CE(sat)}$  PNP Epitaxial Planar Transistor**

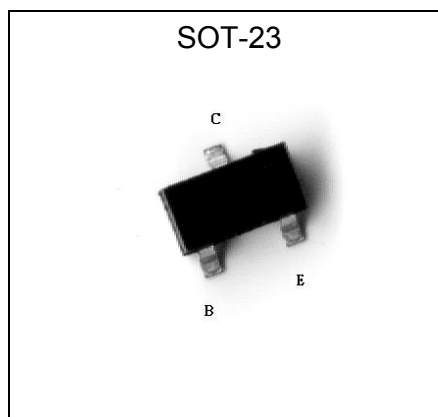
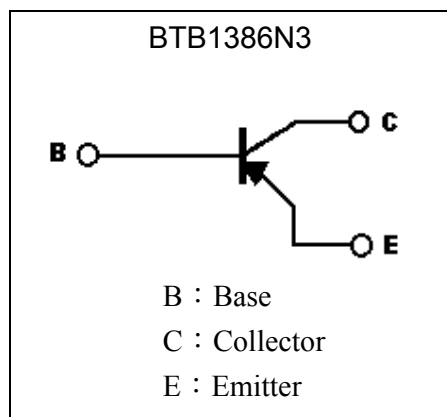
# BTB1386N3

**Features**

- Excellent DC current gain characteristics
- Low Saturation Voltage,  $V_{CE(sat)} = -0.25V$ (typ)

**Applications**

- Low frequency amplifier
- Driver

**Symbol**

**Absolute Maximum Ratings** ( $T_a = 25^\circ C$ )

Parameter	Symbol	Limits	Unit
Collector-Base Voltage	$V_{CB0}$	-15	V
Collector-Emitter Voltage	$V_{CEO}$	-12	V
Emitter-Base Voltage	$V_{EBO}$	-6	V
Collector Current(DC)	$I_C$	-4	A
Collector Current(Pulsed)(Note 1)	$I_{CP}$	-8	
Power Dissipation	$P_d$	225	mW
Thermal Resistance, Junction to Ambient	$R_{\theta JA}$	556	$^\circ C/W$
Junction Temperature	$T_j$	150	$^\circ C$
Storage Temperature	$T_{stg}$	-55~+150	$^\circ C$

 Note 1: Single pulse,  $P_w \leq 10ms$ , Duty Cycle  $\leq 30\%$ .



**Characteristics (Ta=25°C)**

Symbol	Min.	Typ.	Max.	Unit	Test Conditions
BV <sub>CB0</sub>	-15	-	-	V	I <sub>C</sub> =-50μA
BV <sub>CE0</sub>	-12	-	-	V	I <sub>C</sub> =-1mA
BV <sub>EBO</sub>	-6	-	-	V	I <sub>E</sub> =-50μA
I <sub>CB0</sub>	-	-	-100	nA	V <sub>CB</sub> =-15V
I <sub>EBO</sub>	-	-	-100	nA	V <sub>EB</sub> =-5V
*V <sub>CE(sat)</sub>	-	-	-0.25	V	I <sub>C</sub> =-1A, I <sub>B</sub> =-50mA
*h <sub>FE 1</sub>	200	-	-	-	V <sub>CE</sub> =-2V, I <sub>C</sub> =-20mA
*h <sub>FE 2</sub>	180	-	820	-	V <sub>CE</sub> =-2V, I <sub>C</sub> =-500mA
*h <sub>FE 3</sub>	150	-	-	-	V <sub>CE</sub> =-2V, I <sub>C</sub> =-2A
f <sub>T</sub>	-	250	-	MHz	V <sub>CE</sub> =-2V, I <sub>C</sub> =-200mA, f=100MHz
Cob	-	60	-	pF	V <sub>CB</sub> =-10V, I <sub>E</sub> =0A, f=1MHz

\*Pulse Test: Pulse Width ≤380μs, Duty Cycle≤2%

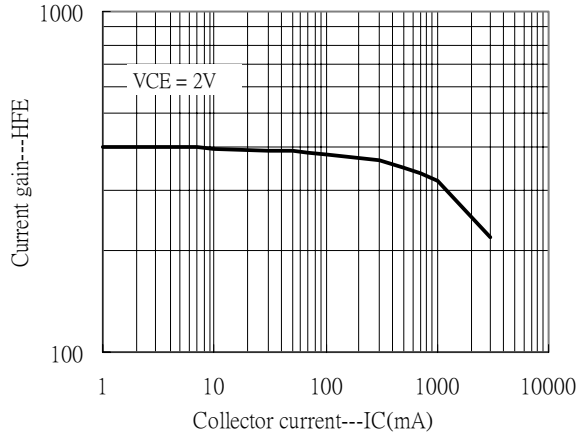
**Classification Of h<sub>FE 2</sub>**

Rank	R	S	T
Range	180~390	270~560	390~820

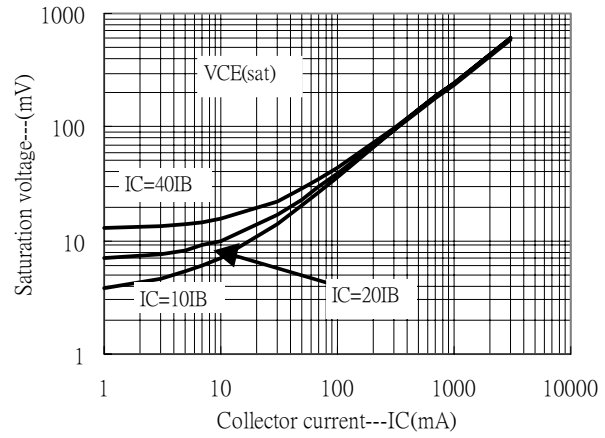


### Characteristic Curves

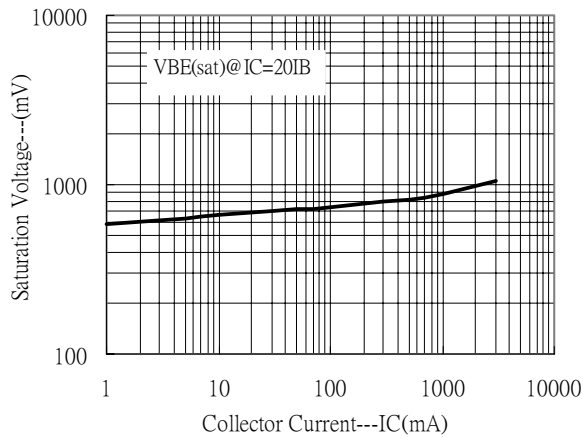
Current gain vs Collector current



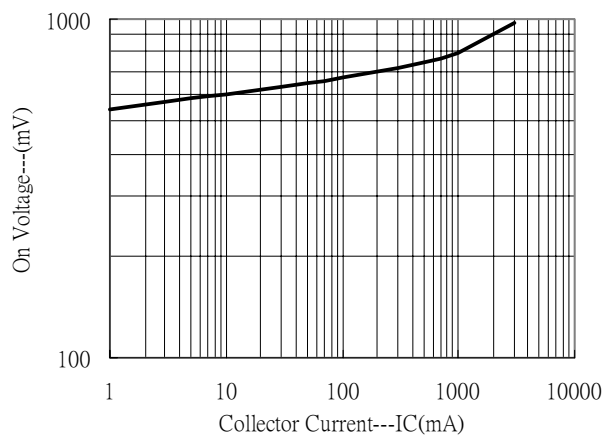
Saturation voltage vs Collector current



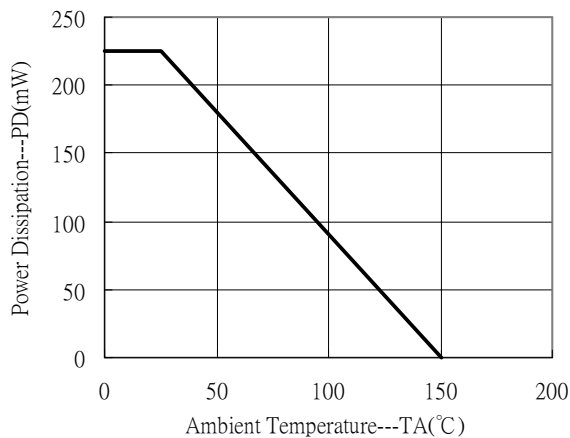
Saturation voltage vs Collector current



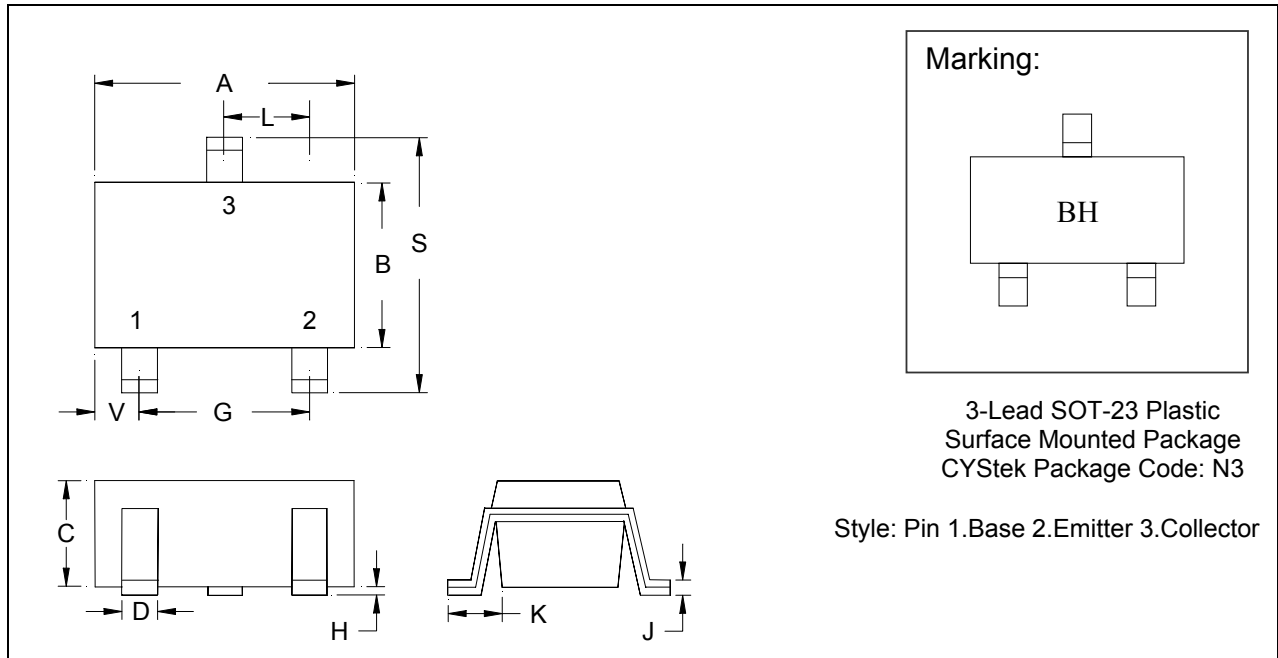
On voltage vs Collector Current



Power Derating Curve



**SOT-23 Dimension**



\*: Typical

DIM	Inches		Millimeters		DIM	Inches		Millimeters	
	Min.	Max.	Min.	Max.		Min.	Max.	Min.	Max.
A	0.1102	0.1204	2.80	3.04	J	0.0034	0.0070	0.085	0.177
B	0.0472	0.0630	1.20	1.60	K	0.0128	0.0266	0.32	0.67
C	0.0335	0.0512	0.89	1.30	L	0.0335	0.0453	0.85	1.15
D	0.0118	0.0197	0.30	0.50	S	0.0830	0.1083	2.10	2.75
G	0.0669	0.0910	1.70	2.30	V	0.0098	0.0256	0.25	0.65
H	0.0005	0.0040	0.013	0.10					

Notes: 1.Controlling dimension: millimeters.  
 2.Maximum lead thickness includes lead finish thickness, and minimum lead thickness is the minimum thickness of base material.  
 3.If there is any question with packing specification or packing method, please contact your local CYStek sales office.

**Material:**

- Lead: 42 Alloy ; solder plating
- Mold Compound: Epoxy resin family, flammability solid burning class: UL94V-0

**Important Notice:**

- All rights are reserved. Reproduction in whole or in part is prohibited without the prior written approval of CYStek.
- CYStek reserves the right to make changes to its products without notice.
- CYStek **semiconductor products are not warranted to be suitable for use in Life-Support Applications, or systems.**
- CYStek assumes no liability for any consequence of customer product design, infringement of patents, or application assistance.