



**1.ABSOLUTE MAXIMUM RATINGS AT Ta=25°C**

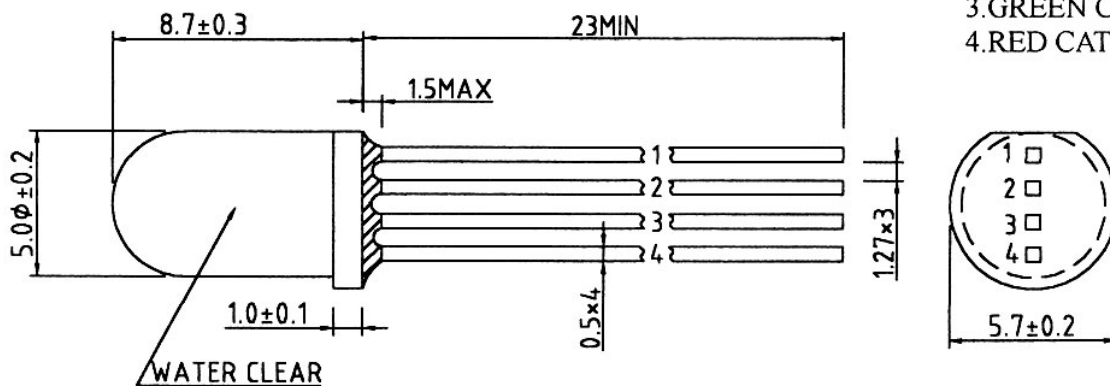
Characteristic	Symbol	Rating	Unit
Forward direct current	IFM	25	mA
Reverse voltage	VRM	4	V
Operating temperature	Topr	-25 to +75	°C
Storage temperature	Tstg	-25 to +100	°C
Power dissipation	PM	100	mW

Lead soldering temperature (5mm from body ) 260°C for 5sec.

**2.ELECTRO-OPTICAL CHARACTERISTICS AT Ta=25°C**

Characteristic	Symbol	Condition	Min.	Typ.	Max.	Unit	
Luminous intensity	Iv	IF= 20 mA	R	500	800	mcd	
			G	1200	2000		
			B	600	1000		
Forward voltage	VF	IF= 20 mA	R		2.0	2.4	V
			G		3.5	4.0	
			B		3.3	4.0	
Reverse current	IR	VR=4V			10	μA	
Dominant wavelength	λ d	IF=20mA	R		643	nm	
			G		525		
			B		472		
Spectral line half with	Δ λ	IF=20mA	R		20	nm	
			G		35		
			B		30		
Viewing half angle	2θ 1/2	IF=20mA		10		deg.	

**3.DIMENSIONS UNIT :m/m**



- 1.BLUE CATHODE
- 2.COMMON ANODE
- 3.GREEN CATHODE
- 4.RED CATHODE