

Two-way Detection type Detector Switch with Female connector terminal

SSCW Series

Highly reliable, double-sided sliding contact featuring an ON stroke of 2 mm for ease-of-use and an environment-friendly mounting design.

Power

Push

Slide

Rotary

Encoders

Detector

Dual-in-line
Package Type

Multi Control
Devices

TACT

Custom-
Products



Car Use

Features

- The soldering is unnecessary, because switch and customer's unit connects with the female connector terminals.
- Fix switch both sides is possible.
- Double-sided sliding contact provides high reliability.
- ON stroke is 2mm.

Applications

- For automotive mechanism detection in devices such as door lock
- For mechanism detection in devices such as Car AV
- For mechanism detection in devices such as printer, facsimile

Typical Specifications

Items		Specifications
Rating (max.) (Resistive load)		0.1A 12V DC
Contact resistance (Initial performance/After lifetime)		500mΩ max./1Ω max.
Operating force		1N max.
Operating life	Without load	100,000 cycles
	With load	100,000 cycles (0.1A 12V DC)

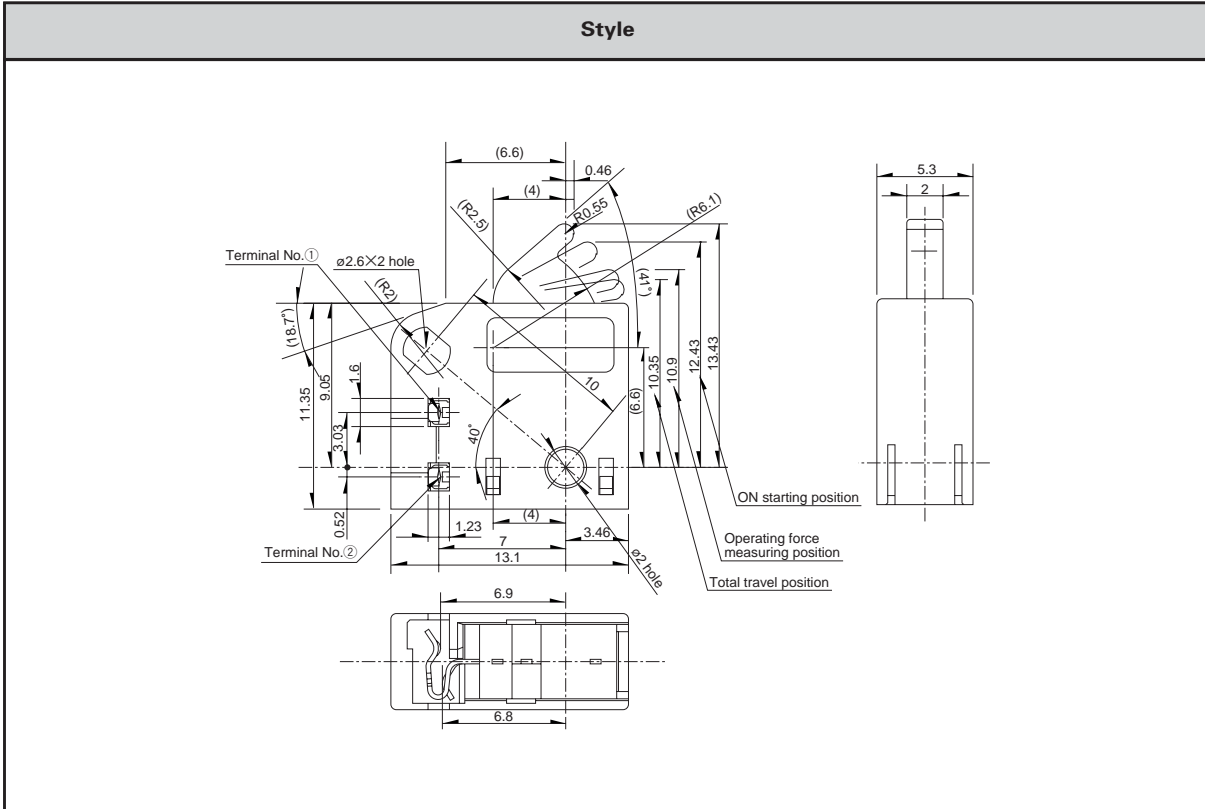
Products Line

Poles	Positions	Terminal style	Minimum packing unit (pcs.)	Products No.
1	1	Female connector type	40	SSCW110101

For other detailed specifications, see P.304

Dimensions

Unit:mm



Power

Push

Slide

Rotary

Encoders

Detector

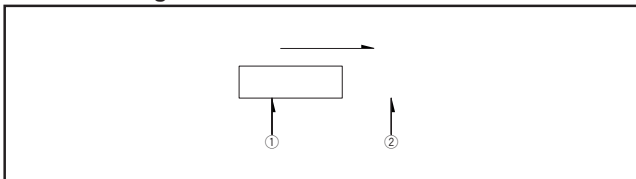
Dual-in-line
Package Type

Multi Control
Devices

TACT

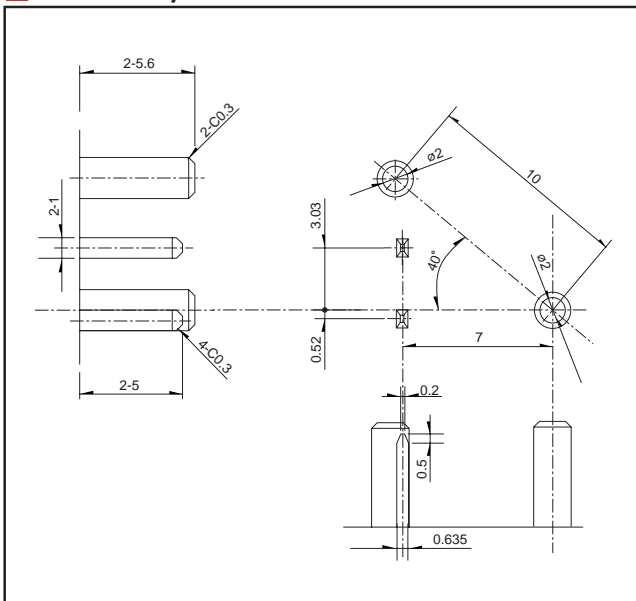
Custom-
Products

Circuit Diagram



Terminal Style

Unit:mm



Products Specifications

Items		Series										
		SPVC1	SPVF	SSCU	SSCT	SSCF	SSCN	SPVQ1	SPVQ3	SPVQ4	SSCW	SREF
Power	Operating temperature range	-10°C to +60°C					-40°C to +85°C					-10°C to +60°C
	Rating (max.) (Resistive load)	10mA 16V DC	1mA 5V DC	0.1A 12V DC								1mA 5V DC
Push	Electrical performance	Initial contact resistance	1 Ω max.	500mΩ max.	70mΩ max.	20mΩ max.	100mΩ max.	500mΩ max.				1 Ω max.
Slide		Insulation resistance	100MΩ min. 100V DC		100MΩ min. 250V DC		100MΩ min. 100V DC	100MΩ min. 500V DC			100MΩ min. 250V DC	100MΩ min. 100V DC
Rotary		Voltage proof	100V AC for 1 min.		250V AC for 1 min.		100V AC for 1 min.	500V AC for 1 min.			250V AC for 1 min.	100V AC for 1 min.
Encoders	Mechanical performance	Robustness of terminal	3N for 1 min.	3N for 30 s	3N for 1 min.		5N for 1 min.	3N for 1 min.			—	
Detector		Robustness of actuator	10N	1N	5N	10N			20N		5N	
Dual-in-line Package Type		Vibration	10 to 55 to 10Hz/min., the amplitude is 1.5mm for all the frequencies, in the 3 direction of X, Y and Z for 2 hours respectively									
Multi Control Devices		Resistance to soldering heat	Manual soldering	350±10°C, 3 ⁺¹ ₋₀ s	300±10°C, 3 ⁺¹ ₋₀ s	350±5°C, 3s max.		350±10°C, 3 ⁺¹ ₋₀ s	300±10°C, 3 ⁺¹ ₋₀ s			—
TACT			Dip soldering	260±5°C, 3s max.	260±5°C, 5±1s	—	260±5°C, 5±1s		—	260±5°C, 5±1s		—
Custom-Products	Reflow soldering		—									
Durability	Operating life without load	25,000 cycles 2 Ω max.	100,000 cycles 1 Ω max.	10,000 cycles 100mΩ max.	10,000 cycles 40mΩ max.	50,000 cycles 200mΩ max.	100,000 cycles 1 Ω max.	300,000 cycles 1 Ω max.	300,000 cycles or 1,000,000 cycles 1 Ω max.	300,000 cycles 1 Ω max.	100,000 cycles 1 Ω max.	150,000 cycles 2 Ω max.
	Operating life with load	(10mA 16V DC) 25,000 cycles 2 Ω max.	(1mA 5V DC) 100,000 cycles 1 Ω max.	(0.1A 12V DC) 10,000 cycles 150mΩ max.	(0.1A 12V DC) 10,000 cycles 60mΩ max.	(0.1A 12V DC) 50,000 cycles 300mΩ max.	(0.1A 12V DC) 100,000 cycles 1 Ω max.	(0.1A 12V DC) 300,000 cycles 1 Ω max.	(0.1A 12V DC) 300,000 cycles or 1,000,000 cycles 1 Ω max.	(0.1A 12V DC) 300,000 cycles 1 Ω max.	(0.1A 12V DC) 100,000 cycles 1 Ω max.	(1mA 5V DC) 150,000 cycles 2 Ω max.
Environmental performance	Cold	-20±2°C for 96h	-40±2°C for 96h	-20±2°C for 96h			-40±2°C for 500h					-20±2°C for 96h
	Dry heat	85±2°C for 96h					85±2°C for 500h					85±2°C for 96h
	Damp heat	40±2°C, 90 to 95%RH for 96h					60±2°C, 90 to 95%RH for 500h					40±2°C, 90 to 95%RH for 96h